



# STORE+®

## 48" x 34" Vikrell® shower with Aging in Place backerboards, center drain

### 72320106



#### Features

- 3-1/8" (79 mm) threshold
- Durable high-gloss finish
- Three-piece tongue-and-groove walls with snap-together installation
- Includes four rimmed shelves, two large bins, two shower hooks and two soap dishes with towel bars; shaving ledge/footrest
- Aging in Place backerboards

#### Material

- Made from solid Vikrell® material for strength, durability, and lasting beauty

#### Installation

- Alcove
- Center drain
- Caulk-free installation

#### Recommended Products/Accessories

- 1500D-48 Framed pivot shower door
- 5475-48 Frameless sliding shower door
- 5970-48 Framed sliding shower door
- 5975-48 Framed sliding shower door
- 5976-48 Framed sliding shower door
- 547808-48 Frameless sliding shower door
- 581075-48 Frameless sliding shower door
- 80001012 12" straight grab bar
- 80001018 18" straight grab bar
- 80001024 24" straight grab bar
- 72186104 Freestanding shower seat
- K-23726 Drain treatment

#### Included Components

- 72321100 48" x 34" Vikrell® shower base, center drain
- 72322106 48" Vikrell® shower back wall with Aging in Place backerboards
- 72305106 34" Vikrell® shower end wall set with Aging in Place backerboards



#### Codes/Standards

- CSA B45.5/IAPMO Z124
- ASTM E162
- ASTM E662
- HUD, UM Bulletin 73


#### STERLING® Vikrell® or Acrylic Baths and Shower Bases Ten-Year Limited Warranty

See website for detailed warranty information.

#### Available Colors/Finishes

*Color tiles intended for reference only.*

#### Color Code Description

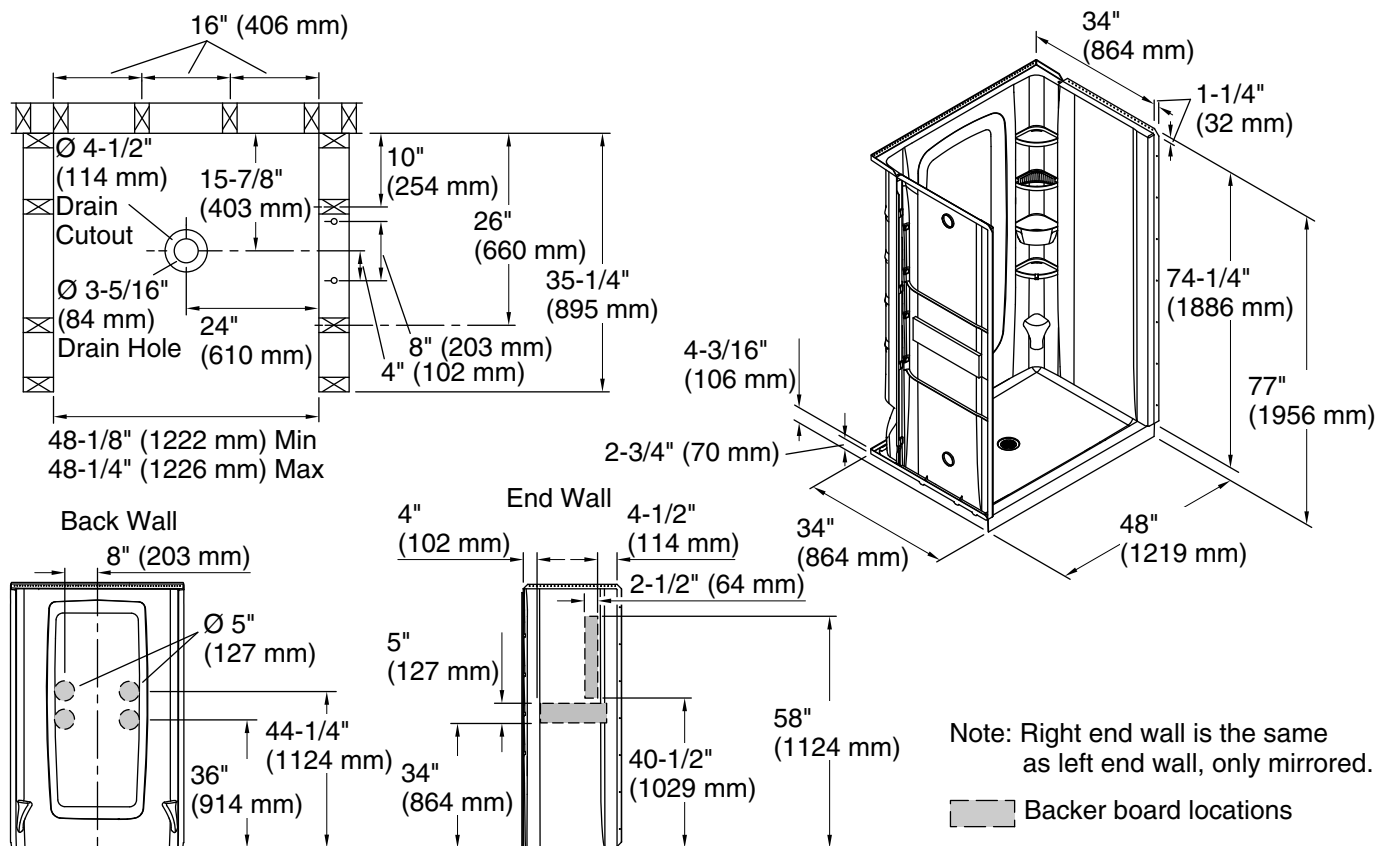
	0	White
---	---	-------

1-800-STERLING (1-800-783-7546)

Kohler Co. reserves the right to make revisions without notice to product specifications.

For the most current Specification Sheet, go to [www.sterlingplumbing.com](http://www.sterlingplumbing.com).

3-31-2025 01:23 - US/CA



**Technical Information**

All product dimensions are nominal.

Drain location:	Center
Basin area, bottom:	29-1/16" x 44-3/4" (739 mm x 1137 mm)
Basin area, top:	29-1/16" x 44-3/4" (739 mm x 1137 mm)
Weight:	114 lbs (51.7 kg)
Minimum flat for door:	2-1/2" (64 mm)
Maximum door height:	72-1/2" (1842 mm)
Maximum door width:	44-3/4" (1137 mm)

**Notes**

Install this product according to the installation instructions.

Studs should be positioned roughly as shown. Double studding is recommended for pivot shower door installations.

Attach grab bars at the specified backer board locations only.