



Job Name: _____

Job Location: _____

Contractor: _____

Engineer: _____

Approval: _____

Retrotee™

Design Features:

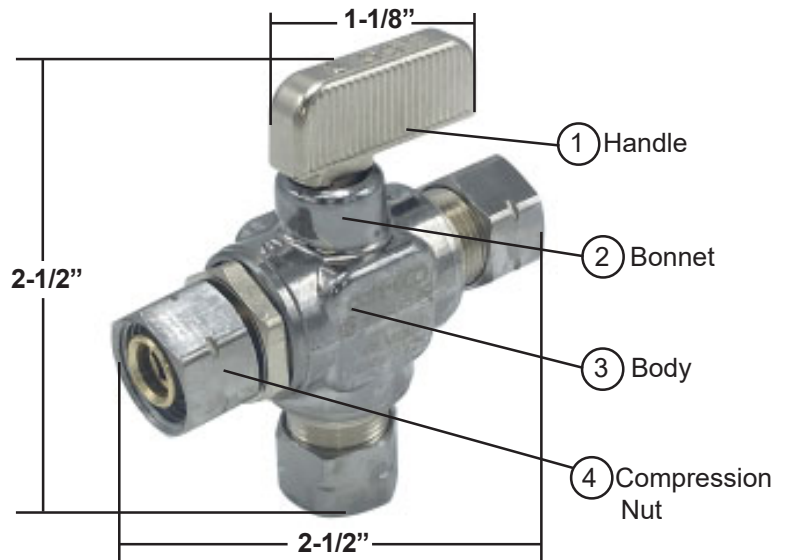
- Lead Free* Brass
- Chrome Finish
- Corrosion & Heat Resistant
- Non-Rising Stem
- Quick 1/4 Turn Shut-Off
- Made in Canada with American Materials

Operating Specifications:

Temperature: 250° F

Pressure: 250 psi Max

Use: A high-quality convenient solution to the problem of frozen valves. Allows for the addition of appliances such as ice makers, dishwashers, and humidifiers -- with a convenient shut-off.



Internal Material Specifications

Part	Material
Spindle	Nickel Plated Brass
Upper O-ring	EPDM
Lower O-ring	Viton*
Sleve	Brass
Ball	Plated Brass
Seals	Teflon*

*Registered Trademark of E.I. DuPont Nemours.

External Material Specifications

No.	Part	Material
1	Handle	Nickel Plated Zinc
2	Bonnet	Brass C69300
3	Body	Brass C69300
4	Compression Nut	Brass C69300



Meets AB1953/NSF61G Standard

W-R#	Description	Weight	Min	Box
RV500LF	3/8" Fem. Comp x 3/8" OD x 3/8" OD	.348 lbs.	1	10
RV502LF	3/8" Fem. Comp x 1/4" OD x 3/8" OD	.365 lbs.	1	10

*The wetted surface of this product contacted by consumable water contains less than one tenth of a percent (.1%) of lead by weight.