

*For Residential and Commercial Applications*

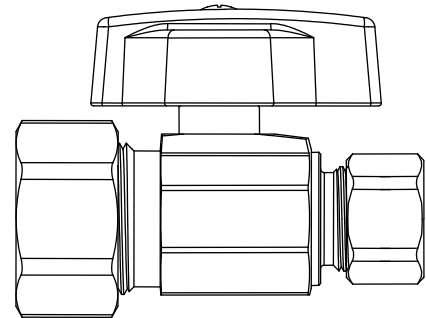
Job Name		Engineer / Architect	
Job Location		Wholesaler	
Submittal Date		Contractor	

## KTCR04/ KTCR11/ KTCR14/ KTCR34 1/4 Turn Straight Stop – Compression x Compression

**Use:** For use with water in accessible locations only.

**Design Features:**

- **Precision-machined brass ball** is specially engineered and mated with PTFE seats to provide smooth operation without freeze ups even after long periods of non-use
- **Two high-performance o-rings** withstand high temperatures and corrosion from harsh water environments
- **Machined one-piece brass body** provides strength, durability, and long-lasting performance
- **Brass stem** is assembled from the inside out with two o-rings to ensure safe, reliable performance
- **Plated stem** provides corrosion resistance and prevents o-ring damage after long periods of non-use
- **Exclusive, plated metal handle** is designed for durability, corrosion resistance, and a sleek appearance
- **Easy-to-remove handle** with screw attachment helps protect against accidental stop operation during rough-ins
- **100% Leak** tested
- **No Lead**



**Operating Specifications:**

**Temperature:** 40°- 180° F  
**Pressure:** 125 PSI maximum

**Standard**

STOP MATERIAL SPECIFICATIONS	
<b>Body</b>	Brass or brass, chrome plated
<b>Stem</b>	Brass or brass, chrome plated
<b>Seat</b>	PTFE
<b>Ball</b>	Brass, precision machined
<b>Stem O-ring</b>	Rubber
<b>Handle</b>	Zinc, die cast plated; ABS, plated; or Polycarbonate
<b>Screw</b>	Zinc-plated steel
<b>Compression Sleeve</b>	Brass
<b>Compression Nut</b>	Brass or brass, chrome plated

**No Lead**

STOP MATERIAL SPECIFICATIONS	
<b>Body</b>	No-Lead brass or No-Lead brass, chrome plated
<b>Stem</b>	No-Lead brass or No-Lead brass, chrome plated
<b>Seat</b>	PTFE
<b>Ball</b>	No-Lead brass, precision machined
<b>Stem O-ring</b>	Rubber
<b>Handle</b>	Zinc, die cast plated; ABS, plated; or Polycarbonate
<b>Screw</b>	Zinc-plated steel
<b>Compression Sleeve</b>	Brass
<b>Compression Nut</b>	Brass or brass, chrome plated

*This specification and all information contained herein is the confidential and exclusive property of BrassCraft Manufacturing, and shall not be disclosed to others without the written consent of BrassCraft Mfg. This specification must be returned to BrassCraft Mfg if requested.*



# KTCR04/ KTCR11/ KTCR14/ KTCR34 1/4 Turn Straight Stop – Compression x Compression

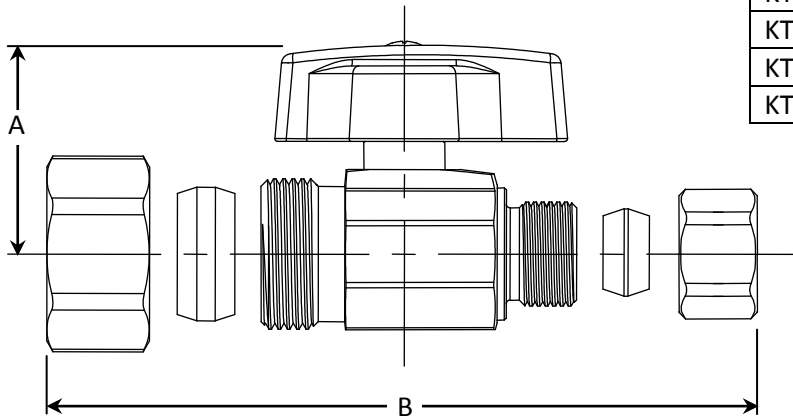
## Standard Part Listing:

- KTCR04 R 1/2" nom compression x 1/4" OD compression, rough brass
- KTCR11 C 1/4" nom compression x 3/8" OD compression, chrome plated
- KTCR11F C 3/8" OD female compression x 3/8" OD compression, chrome plated
- KTCR11F C1 3/8" OD female compression x 3/8" OD compression, chrome plated, window tray
- KTCR14 C 1/2" nom compression x 3/8" OD compression, chrome plated
- KTCR14 C1 1/2" nom compression x 3/8" OD compression, chrome plated, window tray
- KTCR34 C 1/2" nom compression x 1/2" OD compression, chrome plated

## No-Lead Part Listing:

- KTCR04X R 1/2" nom compression x 1/4" OD compression, rough brass
- KTCR11X C 1/4" nom compression x 3/8" OD compression, chrome plated
- KTCR11FX C 3/8" OD female compression x 3/8" OD compression, chrome plated
- KTCR11FX C1 3/8" OD female compression x 3/8" OD compression, chrome plated, window tray
- KTCR14X C 1/2" nom compression x 3/8" OD compression, chrome plated
- KTCR14X C1 1/2" nom compression x 3/8" OD compression, chrome plated, window tray
- KTCR34X C 1/2" nom compression x 1/2" OD compression, chrome plated

<b>PART DIMENSIONS (Inches)</b>		
<b>Model</b>	<b>DIM. A</b>	<b>DIM. B</b>
KTCR04	1.14	2.31
KTCR11	1.14	2.28
KTCR14	1.14	2.32
KTCR34	1.14	2.44



## Listings & Certifications:

- IAPMO listed to ASME A112.18.1 / CSA B125.1 (File # 0645)
- CSA listed to ASME A112.18.1 / CSA B125.1 (File # 204593)
- No-Lead product CSA listed to Low Lead Content Certification Program – Plumbing Products Class 6853-01



*This specification and all information contained herein is the confidential and exclusive property of BrassCraft Manufacturing, and shall not be disclosed to others without the written consent of BrassCraft Mfg. This specification must be returned to BrassCraft Mfg if requested.*

**BrassCraft®**