

Features

- Integrated push-button diverter provides simple, intuitive control of two shower outlets.
- Sleek, minimalist design.
- Easy-to-use temperature dial control.
- Suitable for dual shower applications.
- Duration/countdown timer feature.
- Digital thermostatic valve technology guarantees accurate and safe temperature control.
- Adjustable high-temperature limit for added safety.
- Eco-mode diverter can save water and help meet CALGreen requirements by allowing only one water outlet to function at a time.
- Compatible with the KOHLER Mode app featuring Bluetooth® wireless technology to provide remote on/off capability and setting adjustments.



Installation

- Wall-mount.

Required Products/Accessories

K-528-PM Two-port digital thermostatic valve

Recommended Products/Accessories

K-23723 Faucet cleaner

Included Components

Additional Components:

Mounting hardware
RJ11 Cable extension 20 ft
RJ11 Coupler
Removal tool

Codes/Standards

UL 1951
CSA C22.2 No. 14
CSA C22.2 No. 68


KOHLER® Electronic Faucets, Valves, and Controls Five-Year Limited Warranty

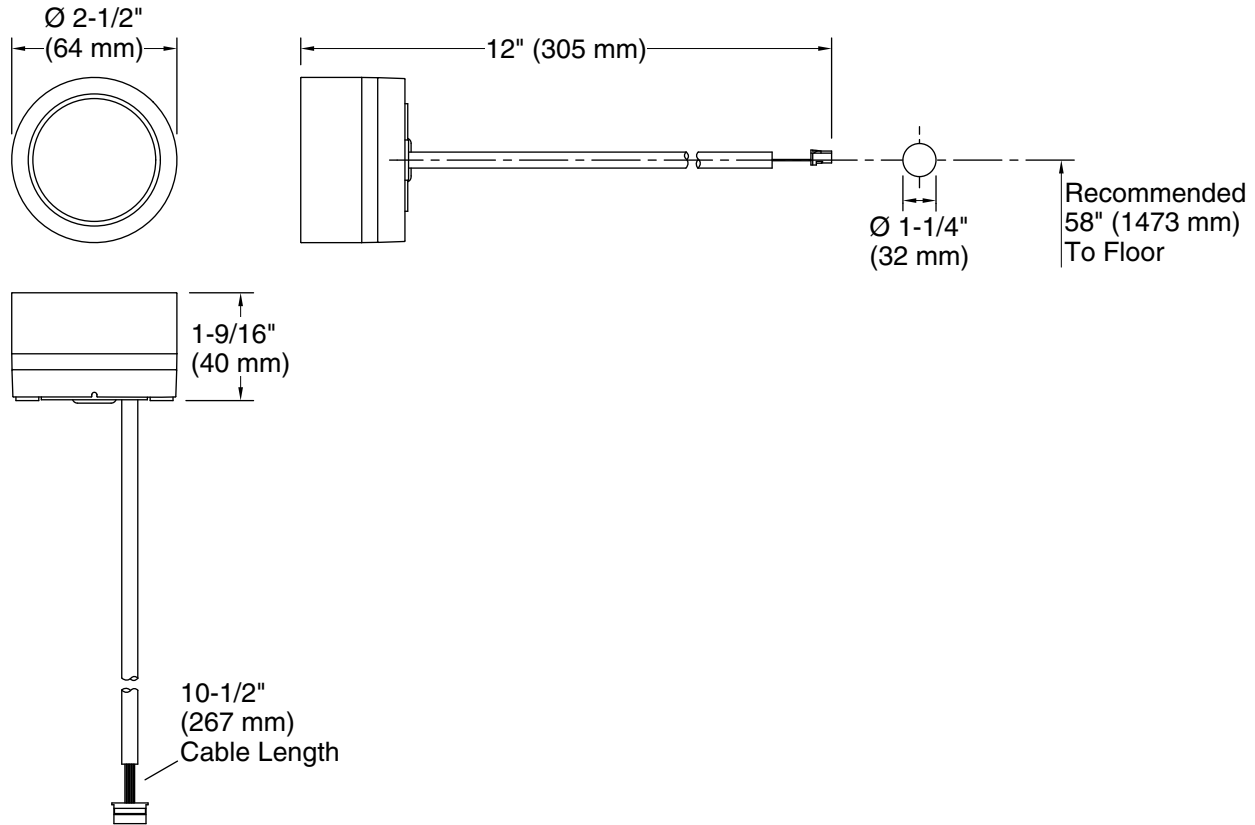
See website for detailed warranty information.

The BLUETOOTH® word mark and logos are registered trademarks owned by Bluetooth SIG, Inc. and any use of such marks by Kohler Co. is under license. Other trademarks and trade names are those of their respective owners.

Available Colors/Finishes

Color tiles intended for reference only.

Color	Code	Description
	CP	Polished Chrome
	BL	Matte Black



Technical Information

All product dimensions are nominal.

Drain included:	No
Bluetooth® range:	32 ft (0.8 m)
Bluetooth® version:	4.1
Max. Ambient temp:	140°F (60°C)
Min. Operating temp:	86°F (30°C)
Max. Operating temp:	120°F (48.9°C)
Max. Relative humidity condensing:	100%

Notes

Install this product according to the installation instructions.