

# EL-208

## MICRO Plumb® PRODUCTS 100 VA Transformer

### Description

Foot-Mount Transformer designed for use with PWT Systems.

### Specifications

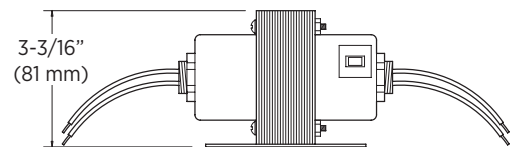
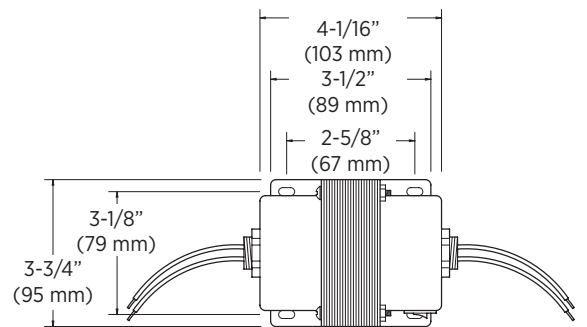
- 120 VAC Input, 50/60 Hz Primary
- 24 VAC Output, 50/60 Hz Secondary
- Class II, UL Listed
- 100 VA

### Usage

Recommended for use on multi-combination units or more than three lavatory/shower solenoid valves.



Transformers



Water Connects Us™

Headquarters • 10500 Seymour Avenue • Franklin Park, IL 60131  
P: 847-671-4300 / 800-9-VALVE-9 • F: 847-671-4380 / 800-447-8329

The information contained in this document is subject to change without notice.

EL-208 07-14