



McGuire Manufacturing Co., Inc.

60 Grandview Court
 P.O. Box 746 • Cheshire, CT 06410
 203-699-1801 • Fax: 203-699-1813
 www.mcguiremfg.com

PRODUCT SPECIFICATION

Part No.

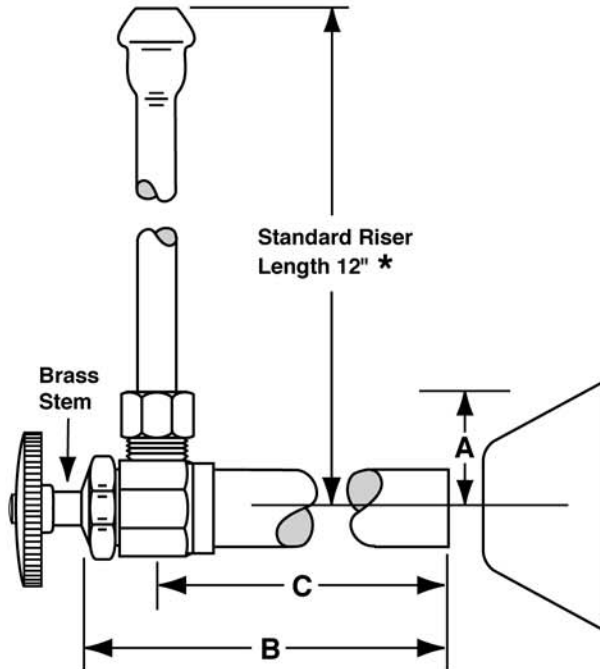
**LF170, LF170LK,
 LF171, LF171LK**

**Sweat Lavatory Supply
 with 5" Extension**

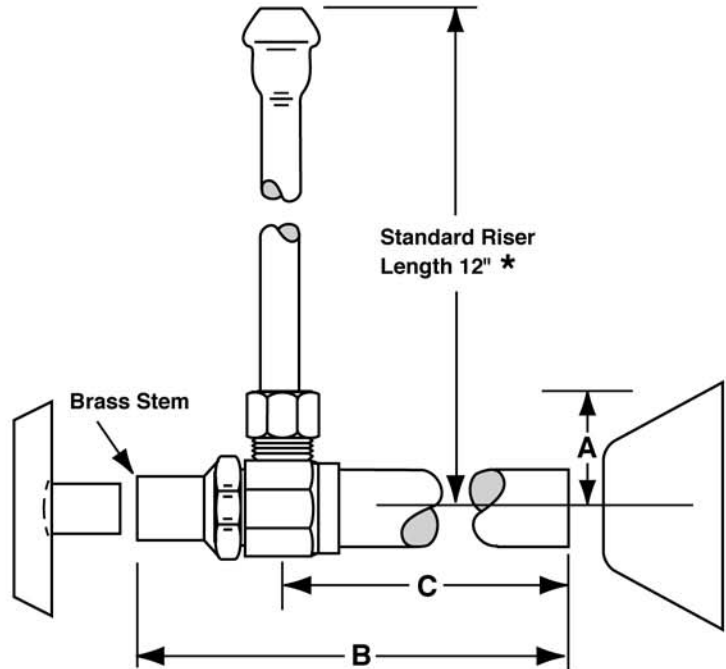
Job Name:

Submittal Number:

**Wheel Handle
 with 5"
 Extension Tube**



**Loose Key
 with 5"
 Extension Tube**



NO.	DESCRIPTION	ROUGHING MEASUREMENTS		
		A	B	C
LF170	1/2" Sweat x 3/8" O.D.	1"	6-1/4"	5-1/2"
LF170LK	1/2" Sweat x 3/8" O.D.	1"	7"	5-1/2"
LF171	1/2" Sweat x 1/2" O.D.	1"	6-1/4"	5-1/2"
LF171LK	1/2" Sweat x 1/2" O.D.	1"	7"	5-1/2"

LK designates Loose Key

* See options and accessories section for details on product variations.



Specifications:

Supply kit shall include lead free chrome plated brass supply stop valves with full turn brass stem, no plastic, (12, 15, 20) inch chrome plated risers and (shallow, deep, bell) (steel, brass) or (forged brass with set screw) flange. Inlet shall be (3/8, 1/2) inch (IPS, sweat, compression). Outlet shall be (3/8, 1/2) inch (IPS, compression). Supply kit shall be McGuire _____. Supply kit shall be certified by recognized authority and bear manufacturer and testing mark.