

## For Commercial Applications

Job Name \_\_\_\_\_  
 Job Location \_\_\_\_\_  
 Engineer \_\_\_\_\_  
 Approval \_\_\_\_\_  
 Tag \_\_\_\_\_

Contractor \_\_\_\_\_  
 Approval \_\_\_\_\_  
 Contractor's P.O. No. \_\_\_\_\_  
 Representative \_\_\_\_\_

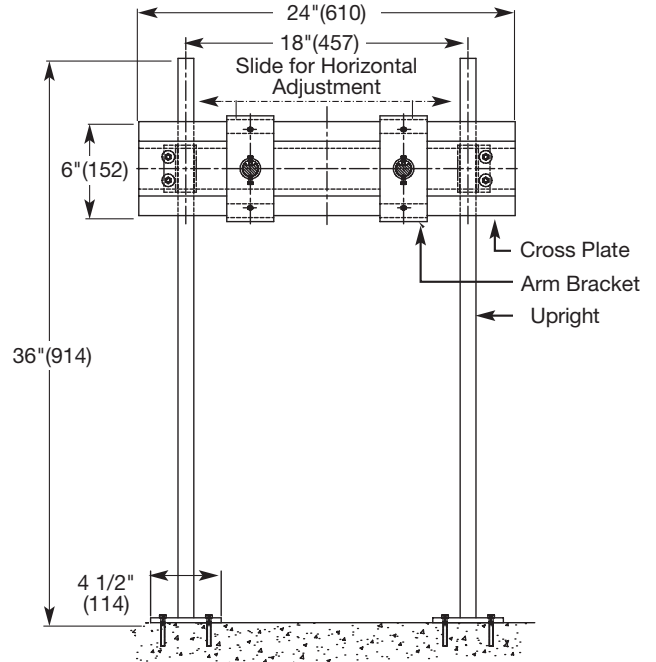
# TCA-411

## Floor Mounted Concealed Arm "Track" Lavatory Carrier

### Specification

Watts TCA-411 epoxy coated floor mounted concealed arm track lavatory carrier with heavy gauge steel offset uprights with welded feet, steel cross plate with integral mounting brackets, sliding adjustable arm brackets, and adjustable cast iron concealed arms with leveling screws, and basin locking device. Carrier complies with requirements of ASME A112.6.1M up to a 250 lb (113 kg) static load.

| Options (Select One or More) | Suffix | Description               |                          |
|------------------------------|--------|---------------------------|--------------------------|
| -M42                         | 42"    | Long Carrier Leg          | <input type="checkbox"/> |
| -M54                         | 2"     | Chrome Plated Escutcheons | <input type="checkbox"/> |
| -M55                         | 4"     | Chrome Plated Escutcheons | <input type="checkbox"/> |



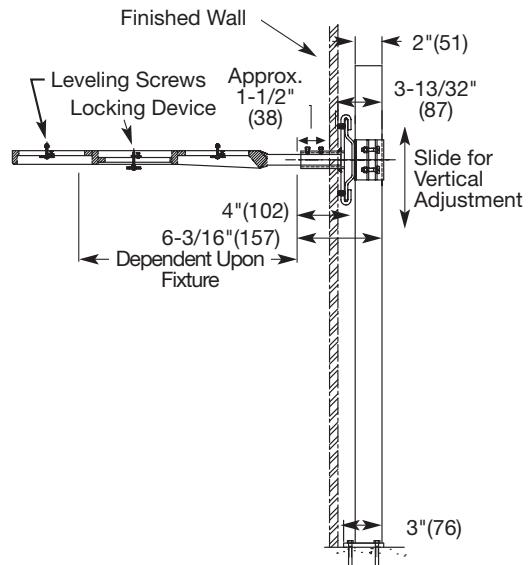
**Please refer to watts.com for BAA information on specific models.**

**NOTICE**

Anchor legs to concrete floor with minimum 1/2" (13) anchor bolts (by others).

**NOTICE**

The information contained herein is not intended to replace the full product installation and safety information available or the experience of a trained product installer. You are required to thoroughly read all installation instructions and product safety information before beginning the installation of this product.



Watts product specifications in U.S. customary units and metric are approximate and are provided for reference only. For precise measurements, please contact Watts Technical Service. Watts reserves the right to change or modify product design, construction, specifications, or materials without prior notice and without incurring any obligation to make such changes and modifications on Watts products previously or subsequently sold.



**USA:** T: (800) 338-2581 • F: (828) 248-3929 • Watts.com  
**Canada:** T: (888) 208-8927 • F: (888) 479-2887 • Watts.ca  
**Latin America:** T: (52) 55-4122-0138 • Watts.com