

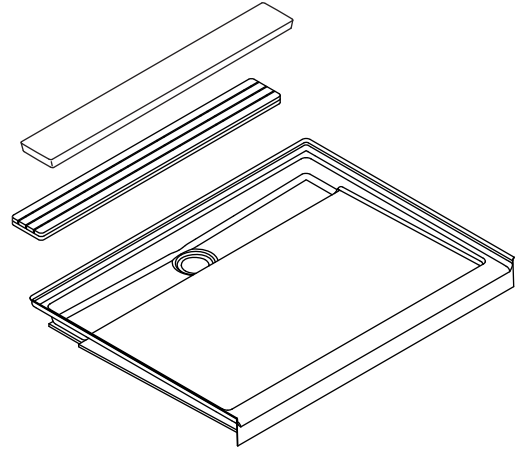
Features

- Acrylic
- For alcove installations
- One-piece construction
- Removable drain cover
- Drain hole at rear
- 48" (1219 mm) x 36" (914 mm) x 4-1/4" (108 mm)

ACRYLIC SHOWER BASE

K-9925

ALSO K-9332, K-9336



Codes/Standards Applicable

Specified model meets or exceeds the following:

- CSA B45.5/IAPMO Z124

Colors/Finishes

- 0: White
- Other: Refer to Price Book for additional colors/finishes

Accessories

- CP: Polished Chrome
- PB: Vibrant® Polished Brass
- SH: Bright Silver
- NA: None applicable
- Other: Refer to Price Book for additional colors/finishes

Specified Model

| Model | Description | Colors/Finishes | | |
|--|--------------------------------|-----------------------------|-------------------------------------|-------------------------------------|
| K-9925 | 48" (1219 mm) shower base | <input type="checkbox"/> 0 | <input type="checkbox"/> Other_____ | |
| Required Accessories | | | | |
| K-9332 | Aluminum drain cover OR | <input type="checkbox"/> SH | | |
| K-9336 | Teak drain cover | <input type="checkbox"/> NA | | |
| Recommended Accessories | | | | |
| K-9132 | Drain | <input type="checkbox"/> CP | <input type="checkbox"/> PB | <input type="checkbox"/> Other_____ |
| Optional Accessories | | | | |
| Refer to the Fixtures Price Book for shower door selections, glass options, and color information. | | | | |

Product Specification

The acrylic shower base with removable drain cover shall be 48" (1219 mm) in length, 36" (914 mm) in width, and 4-1/4" (108 mm) in height. Shower base shall be for alcove installations. Shower base shall be one-piece configuration with drain hole at rear. Shower base shall be Kohler Model K-9925-_____.

GROOVE™

Technical Information

| | |
|---|------------------|
| Fixture*: | |
| Weight | 59 lbs (26.8 kg) |
| Configuration | one-piece |
| Drain hole | Ø 3-3/8" (86 mm) |
| * Approximate measurements for comparison only. | |

Installation Notes

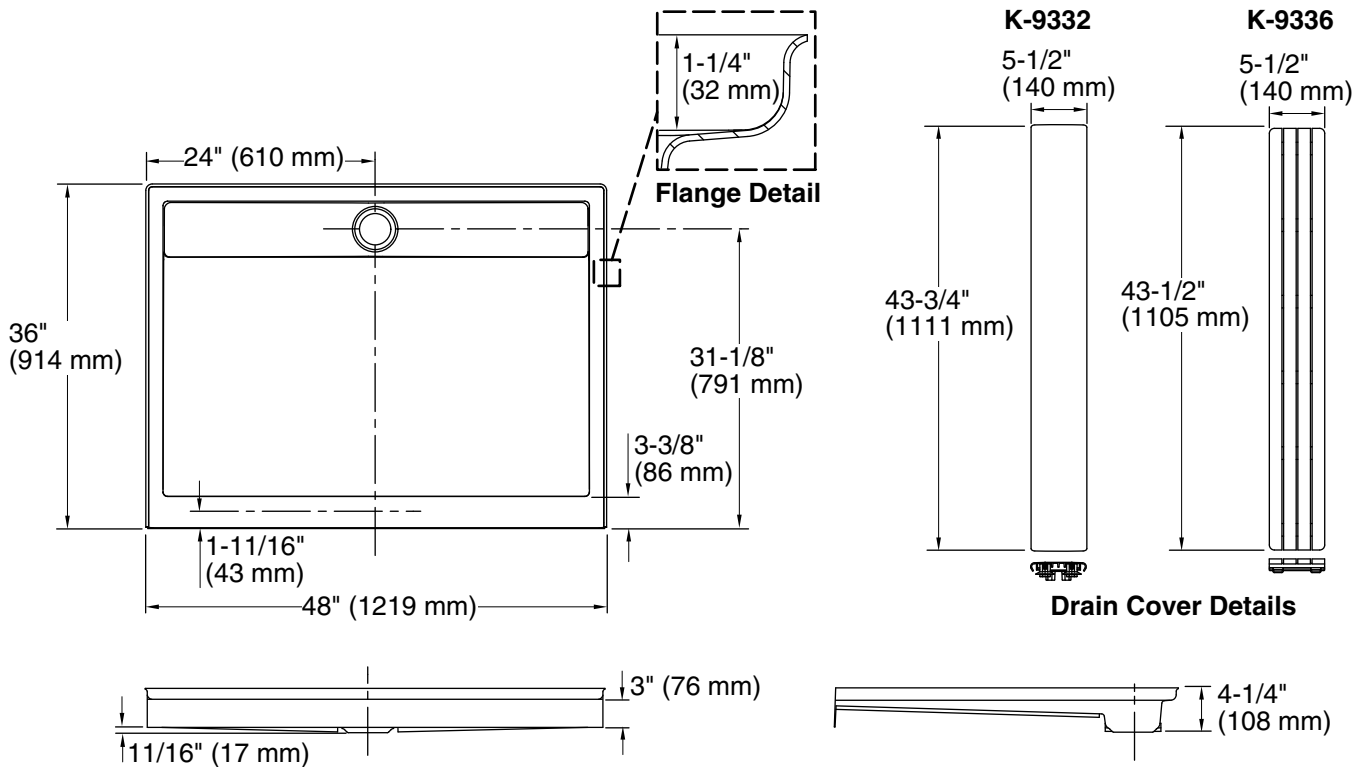
Install this product according to the installation guide.

Shimming may be required to level the fixture.

Shimming may be required between the stud frame and the fixture.

The stud opening tolerance is +1/4" (6 mm), -0" (0 mm).

When fire rated construction is specified, dimensions are to the inside of the fire-rated wall.



Product Diagram