

Ox Box™

Outlet Box

Patent #7,360,553 & #7,735,511

- **Strong:** Over the stud application offers the industry's strongest installation
- **Fast:** Installation times are cut in half
- **Flexible:** Separate boxes offer endless configuration options
- **Durable:** ABS material stands up to job site abuse
- **Approvals:**
 - Standard packaged Ox Box™ kits are UPC listed.
 - Fire-Rated Ox Box kits are Warnock Hersey Certified.
 - Valves comply with ASME A112.18.1

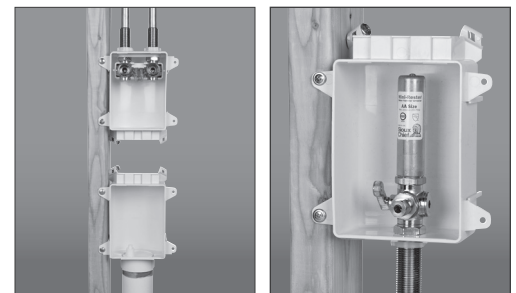
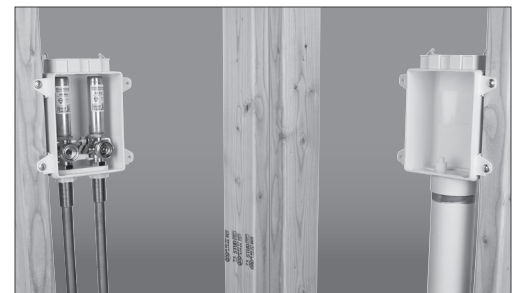
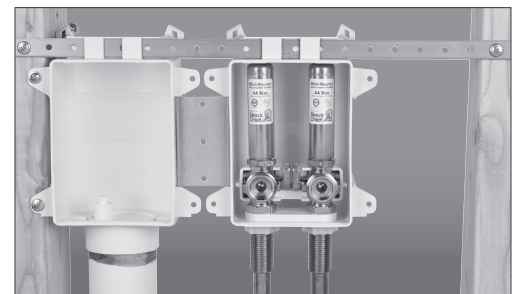
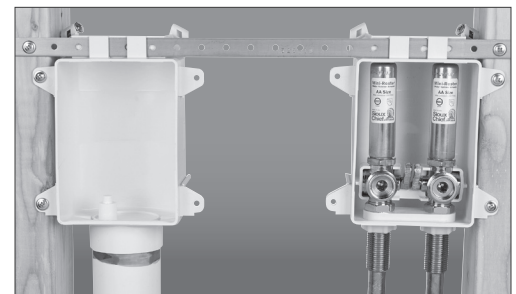
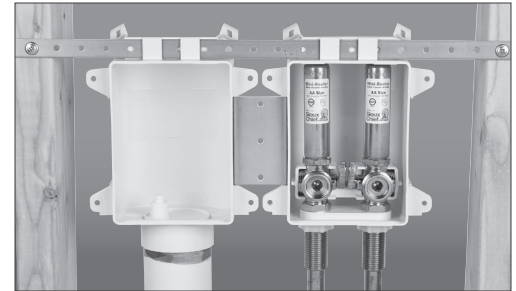
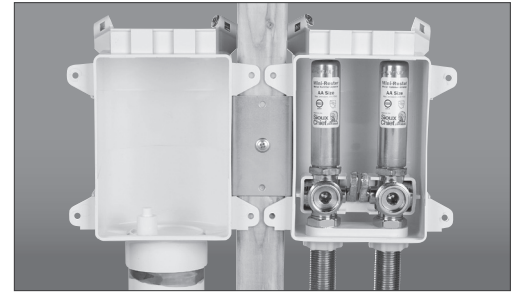


Build Item Numbers

- Items not listed within this catalog can be custom built with a minimum order of 30 units

696	-	2	3	1	3	X	F		
Series	A	B	C	D	E	F	G	H	

- | | |
|---|--|
| <p>A Special Standards</p> <ul style="list-style-type: none"> - Standard product R Fire-rated package with intumescent pads and fire-rated frame -G Supplied valves are no lead alloy 693 with low zinc RG Supplied valves are no lead alloy 693 with low zinc and packaged with intumescent pad and fire-rated frame <p>B Supply Box Options</p> <ul style="list-style-type: none"> 1 Single-hole Ox Box 2 Double-hole Ox Box <p>C Drain Box Options</p> <ul style="list-style-type: none"> 0 No drain box included 3 Drain box included 4 Supply box with drain <p>D Valve and Arrester Options</p> <ul style="list-style-type: none"> 0 No water hammer arresters on valves 1 Water hammer arresters on valves 2 Accessible, integral, secondary stop on valves | <p>E Outlet Options</p> <ul style="list-style-type: none"> 0 1/4" compression connection 1 3/8" compression connection 3 3/4" male hose thread connection <p>F Inlet Options</p> <ul style="list-style-type: none"> A 1/2" F2080 PEX C 1/2" male CPVC M 1/2" female sweat V 1/2" Viega® PEX Press® W 1/2" F1960 PEX X 1/2" F1807 PEX <p>G Frame Options</p> <ul style="list-style-type: none"> F Frames included R Rough-in package, frames sold separately <p>H Extra Options</p> <ul style="list-style-type: none"> — None 26 Includes 26" galvanized support bracket S Includes 72"-long, 1/4" stainless steel hose PK4 Retail box |
|---|--|



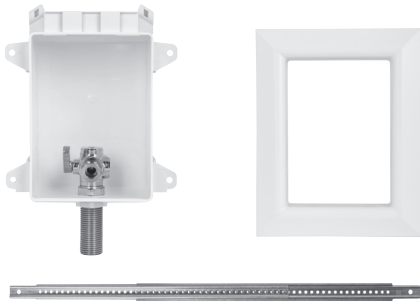
SUPPLY

DRAINAGE

SUPPORT

APPENDIX

Standard Pack



696-1001MF

Ox Box™

Toilet/Dishwasher Outlet Box

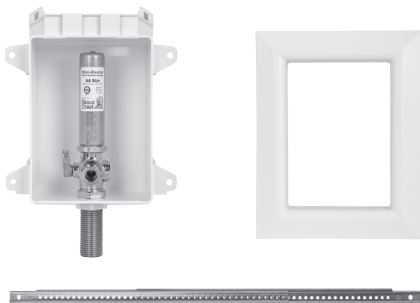
Patent #7,360,553 & #7,735,511

- ABS boxes mount securely to stud or over studs
- Allows for straight and secure supply stops recessed into the wall
- Eliminates backbreaking labor of cleaning stub outs and installing supply stops
- Debris covers included to protect boxes from drywall mud and paint
- High-quality quarter-turn ball valves with 3/8" O.D. compression outlet connection



Item No	Shank Connection	NO LEAD	Pkg	Min Qty	Case Qty
STANDARD PACK					
696-1001MF	1/2" female sweat		B*	10	10
696-1001CF	1/2" CPVC male		B*	10	10
696-1001XF	1/2" PEX F1807		B*	10	10
696-1001WF	1/2" PEX F1960		B*	10	10
696-1001AF	1/2" PEX F2080		B*	10	10
696-G1001MF	1/2" female sweat, no lead	✓	B*	10	10
696-G1001CF	1/2" CPVC male, no lead	✓	B*	10	10
696-G1001XF	1/2" PEX F1807, no lead	✓	B*	10	10
696-G1001WF	1/2" PEX F1960, no lead	✓	B*	10	10

Standard Pack



696-1011MF

Ox Box™

Toilet/Dishwasher Outlet Box with Mini-Rester™ Water Hammer Arresters

Patent #7,360,553 & #7,735,511

- ABS boxes mount securely to stud or over studs
- Allows for straight and secure supply stops recessed into the wall
- Eliminates backbreaking labor of cleaning stub outs and installing supply stops
- Debris covers included to protect boxes from drywall mud and paint
- High-quality quarter-turn ball valves with 3/8" O.D. compression outlet connection



Item No	Shank Connection	NO LEAD	Pkg	Min Qty	Case Qty
STANDARD PACK					
696-1011MF	1/2" female sweat		B*	10	10
696-1011CF	1/2" CPVC male		B*	10	10
696-1011XF	1/2" PEX F1807		B*	10	10
696-1011WF	1/2" PEX F1960		B*	10	10
696-1011AF	1/2" PEX F2080		B*	10	10
696-G1011MF	1/2" female sweat, no lead	✓	B*	10	10
696-G1011CF	1/2" CPVC male, no lead	✓	B*	10	10
696-G1011XF	1/2" PEX F1807, no lead	✓	B*	10	10
696-G1011WF	1/2" PEX F1960, no lead	✓	B*	10	10