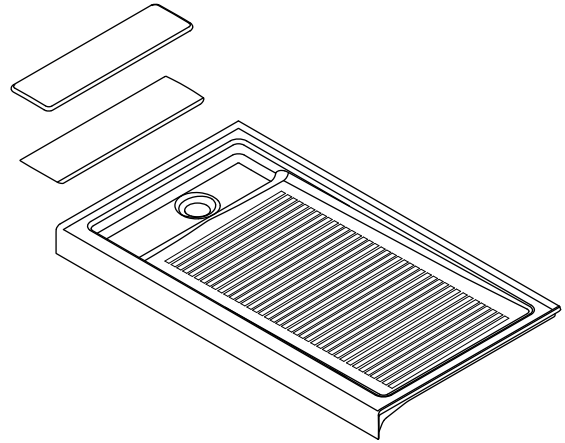


Features

- Cast iron with Safeguard® finish
- Left or right offset drain
- Removable drain cover
- Offset drain to accommodate most 30" model retrofit installations
- Three tile-in flanges
- Alcove installation
- Complements traditional and contemporary bathroom designs
- 60" (1524 mm) x 34" (864 mm) x 4" (102 mm)

SHOWER BASE K-9193

ALSO K-9194, K-9157, K-9159



Codes/Standards Applicable

Specified model meets or exceeds the following:

- ASME A112.19.1/CSA B45.2
- ASTM F462 Slip Resistance

Colors/Finishes

- 0: White
- CP: Polished Chrome
- 96: Biscuit
- SH: Bright Silver
- NX: Brushed Nickel
- Other: Refer to Price Book for additional colors/finishes

Specified Model

Model	Description	Colors/Finishes	
K-9193	Shower base - offset left drain (shown)	<input type="checkbox"/> 0	<input type="checkbox"/> Other _____
K-9194	Shower base - offset right drain	<input type="checkbox"/> 0	<input type="checkbox"/> Other _____
Required Accessories			
K-9157	Drain cover - plastic	<input type="checkbox"/> 0	<input type="checkbox"/> 96
K-9159	Drain cover - metal	<input type="checkbox"/> SH	<input type="checkbox"/> NX
Recommended Accessories			
K-9132	Grid drain	<input type="checkbox"/> CP	<input type="checkbox"/> Other _____
Optional Accessories			
K-1657 and K-1663	Steam generator and control kit (cont.)	<input type="checkbox"/> CP	<input type="checkbox"/> NA

Product Specification

The cast iron shower base shall be 60" (1524 mm) in length, 34" (864 mm) in width, and 4" (102 mm) in height. Base shall feature Safeguard finish and three tile-in flanges. Base shall be for alcove installations and is available with left or right offset drain. Base shall feature offset drain to accommodate most 30" model retrofit installations. Base shall complement traditional and contemporary bathroom designs. Base shall feature removable drain cover. Shower base shall be Kohler Model K-_____-_____.

BELLWETHER

(cont.) Optional Accessories

K-1708 and K-1647-PC	Power Clean™ steam generator and control kit	<input type="checkbox"/> CP	<input type="checkbox"/> NA <input type="checkbox"/> Other _____
-------------------------	--	-----------------------------	---

Technical Information

Fixture*:	
Configuration	One-piece
Weight	220 lbs (99.8 kg)
Drain hole	Ø 3-3/8" (86 mm)
* Approximate measurements for comparison only.	

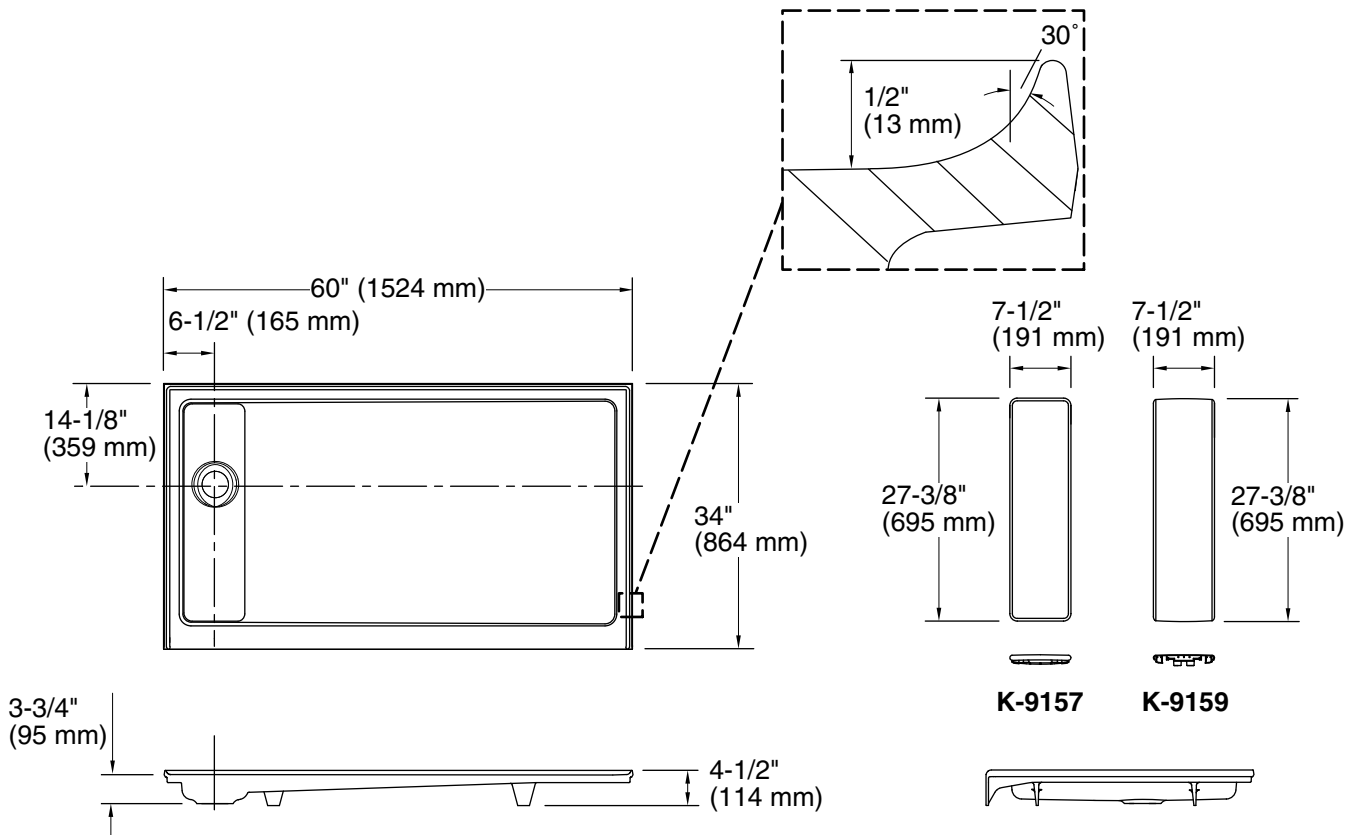
Installation Notes

Install this product according to the installation guide.

NOTE: This model provides an offset drain to accommodate most 30" model retrofit installations.

The dimensions are applicable for this product only and should not be used to fabricate substitute bases for shower enclosures.

The K-1657/K-1663 or K-1708/K-1647-PC steam generator/control kit are designed for use with this product. Kohler shall not be responsible for problems encountered due to the installation and use of other manufacturer's steam generators.



Product Diagram