

Features

- A single handle controls both on/off activation and temperature setting.
- Coordinates with other products in the Bellera collection.
- Requires Rite-Temp[®] pressure-balancing valve (sold separately).

Material

- Premium material construction with metal handle ensures reliability and durability.
- KOHLER finishes resist corrosion and tarnishing.

Installation

- Wall-mount.

Required Products/Accessories

K-8304 Series Rite-Temp[®] Valve & Cartridge Kits

Recommended Products/Accessories

K-23723 Faucet cleaner

Optional Products/Accessories

K-10350 Deep rough-in kit

K-10351 Test cap for K-8300 Series valve bodies



ADA

CSA B651

OBC

Codes/Standards

ASME A112.18.1/CSA B125.1

ADA

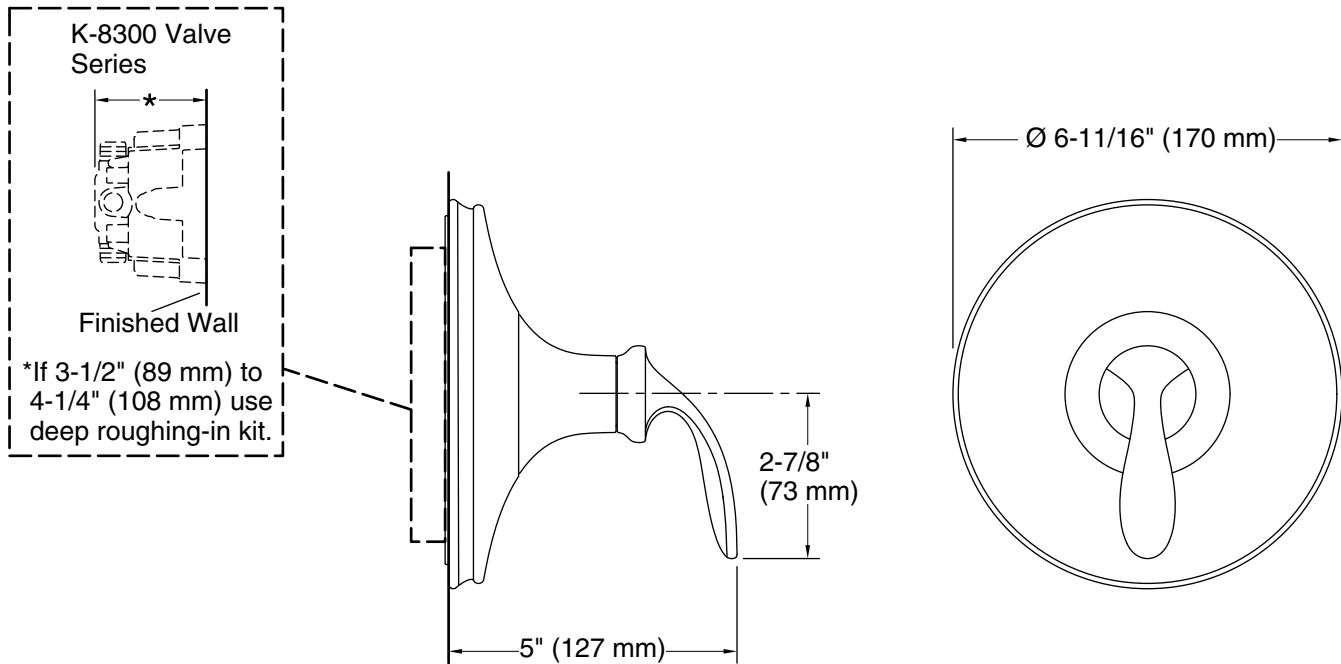
ICC/ANSI A117.1

CSA B651

OBC

KOHLER[®] Faucet Lifetime Limited Warranty

See website for detailed warranty information.



Technical Information

All product dimensions are nominal.

Drain included: No

Notes

ADA, OBC, CSA B651 compliant when installed to the specific requirements of these regulations.