



4675 W. 160th St.
Cleveland, Ohio 44135
Ph: (800) 321-9532
Fax: (800) 321-9535
www.dearbornbrass.com

SUBMITTAL SPECIFICATION

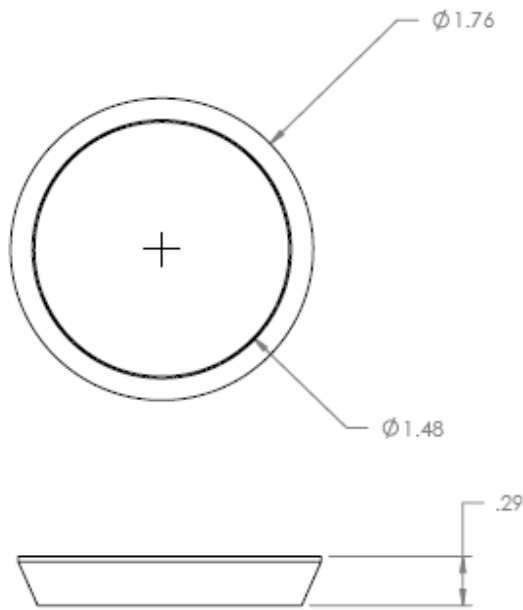
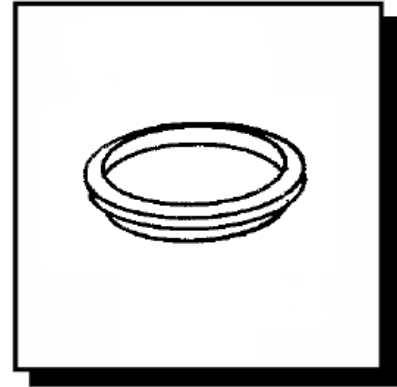
**PLASTIC TUBULAR
BULK SLIP JOINT WASHERS**

Engineering Specification: Dearborn Brass Plastic Tubular Slip Joint Washers are designed for use in tubular drain applications. Available in 1-¼" x 1-¼" Washer, 1-½" x 1-½" Washer or 1-¼" x 1-½" Reducing Washer.

Job Reference

DESCRIPTION

- Made of polyethylene plastic
- Premium True Blue Washers provide superior sealing



P9002

✓	Product No.	Description	Carton Quantity	Carton Weight (lbs)
	7206	1-½" x 1-¼" True Blue Reducing Premium Washer	100	
	7207	1-½" x 1-½" True Blue Premium Washer	100	
	9002A	1-¼" x 1-¼" Polyethylene Washer	100	.4
	9002	1-½" x 1-½" Polyethylene Washer	100	.3
	9003	1-½" x 1-¼" Polyethylene Reducing Washer	100	.9

Data is subject to manufacturing tolerances.