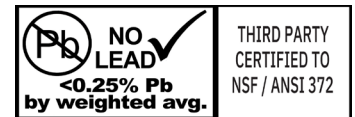


17YBFVNL SERIES - NL BRASS THREADED FOOT VALVE

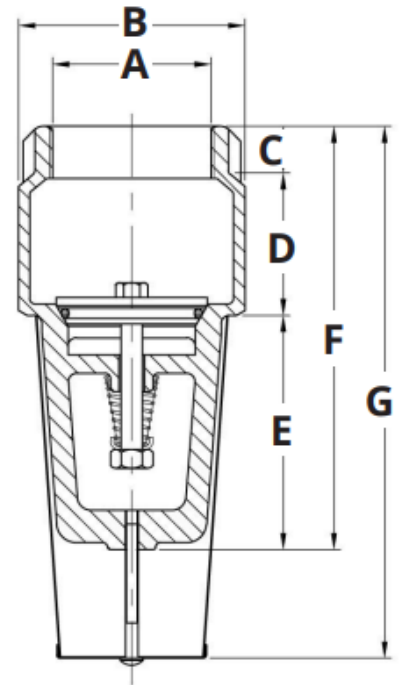
SPECIFICATIONS:

- Threads conform to ANSI/ASME B1.20.1
- Maximum pressure rating: 200 PSI
- 200 PSI WOG Non-Shock - WOG pressure rating based on ambient temperature
- Maximum temperature rating: 180 °F (82 °C)
- Cast NL brass body and poppet
- 304SS screen with 0.104" dia. holes
- NBR O-ring seal
- Cracking pressure equal to or less than 0.5 PSI for 1/2" through 4" valves



CERTIFICATION:

- NSF/ANSI 372 Certified



MATERIAL LIST	
Part Name	Material
Hex Nut	304SS
Cup Washer	304SS
Spring	304SS
Body	NL Brass (C89540)
O-ring	Nitrile Butadiene Rubber (NBR)
Poppet	NL Brass (C89540)
Screw	304SS
Screen Cap	304SS
Screen	304SS

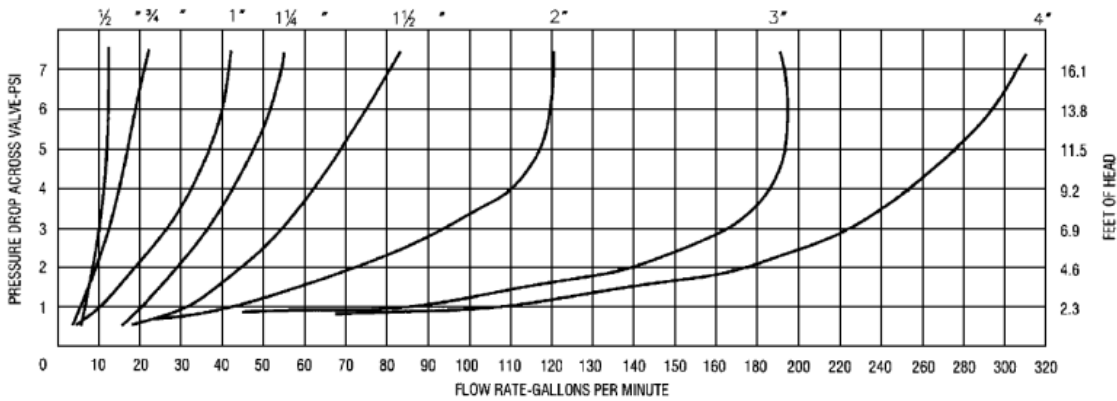
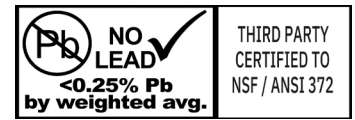
DIMENSIONS														
Part No.	A	B		C		D		E		F		G		Weight grams
		in	mm	in	mm	in	mm	in	mm	in	mm	in	mm	
17YBFV050NL	1/2" FPT	1.22	30.99	0.37	9.50	0.83	21.18	1.57	40.00	2.78	70.79	3.22	81.78	160
17YBFV075NL	3/4" FPT	1.45	37.01	0.39	10.01	0.93	23.80	1.87	47.49	3.20	81.30	3.34	84.98	200
17YBFV100NL	1" FPT	1.73	43.99	0.45	11.51	1.14	29.01	2.14	54.40	3.74	94.99	4.61	117.20	320
17YBFV125NL	1-1/4" FPT	2.08	53.01	0.53	13.49	1.26	32.00	2.39	60.70	4.18	106.20	5.07	128.91	420
17YBFV150NL	1-1/2" FPT	2.36	59.99	0.61	15.49	1.35	34.49	3.09	78.51	5.05	128.50	5.86	148.89	570
17YBFV200NL	2" FPT	2.95	75.01	0.65	16.51	1.72	43.89	3.27	83.00	5.64	143.41	7.16	181.89	1030
17YBFV300NL	3" FPT	4.68	119.00	1.18	30.00	2.52	64.01	4.17	105.99	7.87	200.00	9.31	236.60	2900
17YBFV400NL	4" FPT	5.90	150.00	1.37	35.00	3.38	86.00	4.98	126.49	9.74	247.50	13.67	347.40	5800



25 Whaley Avenue, PO Box 310, Milverton, ON CANADA N0K 1M0
Tel: 800-561-3164

boshart.com ♦ blog.boshart.com

17YBFVNL Screen Information



Part No.	Size	Unobstructed Screen Length		Screen Hole Pattern	Hole Diameter		Distance (Metal) Between Holes		Hole Spacing Center to Center Distance	
		in	mm		in	mm	in	mm	in	mm
17YBFV050NL	1/2" FPT	2.0	50.8	Honey Comb	0.11	2.8	0.08	2.0	0.19	4.8
17YBFV075NL	3/4" FPT	2.0	50.8	Honey Comb	0.11	2.8	0.08	2.0	0.19	4.8
17YBFV100NL	1" FPT	3.0	76.2	Honey Comb	0.11	2.8	0.08	2.0	0.19	4.8
17YBFV125NL	1-1/4" FPT	3.25	82.6	Honey Comb	0.11	2.8	0.08	2.0	0.19	4.8
17YBFV150NL	1-1/2" FPT	3.88	98.5	Honey Comb	0.11	2.8	0.08	2.0	0.19	4.8
17YBFV200NL	2" FPT	4.76	121.0	Honey Comb	0.11	2.8	0.08	2.0	0.19	4.8
17YBFV300NL	3" FPT	5.51	140.0	Honey Comb	0.11	2.8	0.12	3.0	0.23	5.8
17YBFV400NL	4" FPT	8.78	223.0	Honey Comb	0.11	2.8	0.12	3.0	0.23	5.8

All dimensions subject to minor variations.

For more information on installation, adjustment, repair & operation, visit Boshart Knowledge Base at

SUPPORT.BOSHART.COM



25 Whaley Avenue, PO Box 310, Milverton, ON CANADA N0K 1M0
Tel: 800-561-3164

boshart.com ♦ blog.boshart.com