



McAllister®

Undermount small/large kitchen sink
11409-L

Features

- No faucet holes; requires wall- or counter-mount faucet.
- 8-5/16" (203 mm) depth.
- 3-3/4" drain opening.
- Stainless steel with luster finish.

Material

- Premium 18-gauge stainless steel.

Installation

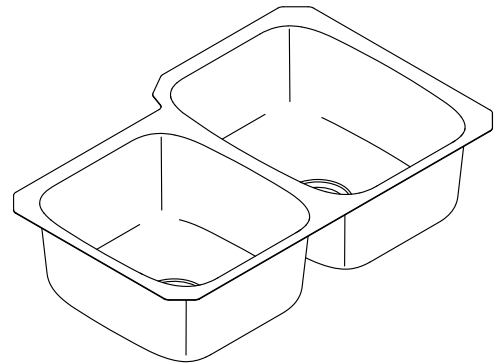
- Undermount.

Recommended Products/Accessories

- 7400 Sink Strainer
- 11862 Sink Rack
- 11863 Sink Rack
- K-6139 Sponge Caddy
- K-23726 Drain treatment
- K-23729 Stainless steel cleaner

Included Components

- Product consists of:
- 91915 Hardware Kit



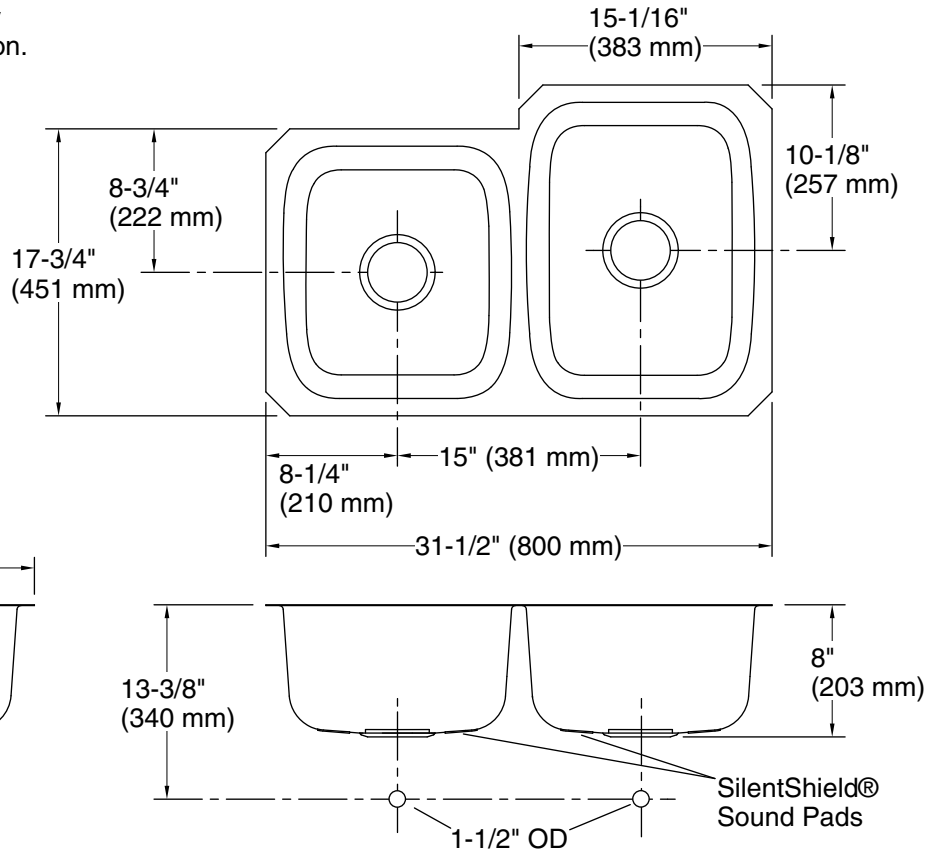
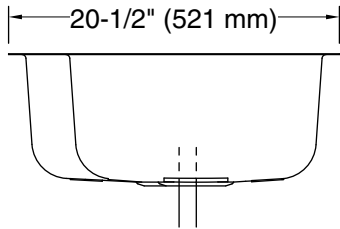
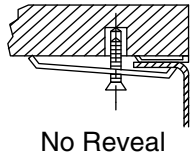
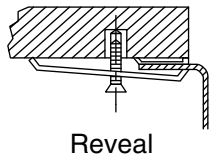
Codes/Standards

ASME A112.19.3/CSA B45.4

STERLING® Warranty - Stainless Steel Sinks

See website for detailed warranty information.

Mounting bracket assembly provides a secure installation.



Technical Information

All product dimensions are nominal.

Bowl configuration:	Off-set Large/small
Installation:	Under-mount
Bowl area (Left):	Length: 14-1/4" (362 mm) Width: 15-3/4" (400 mm) Bowl depth: 8" (203 mm) Water depth: 8" (203 mm)
Bowl area (Right):	Length: 14-1/4" (362 mm) Width: 18-1/2" (470 mm) Bowl depth: 8" (203 mm) Water depth: 8" (203 mm)
Drain hole:	3-3/4" (95 mm)
Template:	1315848-7, required, included

Notes

Install this product according to the installation instructions.

Measure your actual product for roughing-in details.

Use the supplied cut-out template to select either a hidden or exposed rim.