

STERLING®

A KOHLER COMPANY

STINSON®

Features

- Vitreous china
- Elongated bowl
- Sterling Pro Force® HET Flushing Technology
- Flushes efficiently regardless of incoming water pressure
- Three-bolt, quick-connect installation system
- Less seat and supply
- 5-year limited warranty
- 12" (305 mm) rough-in
- 1.28 gpf (4.8 lpf)
- 2" (51 mm) glazed trapway
- 8" (203 mm) x 9" (229 mm) water area
- 29" (737 mm) x 17-7/16" (443 mm) x 28-3/8" (721 mm)

LUXURY HEIGHT® HET-HIGH EFFICIENCY TOILET 402077

ADA

CSA B651

OBC



Codes/Standards Applicable

Specified model meets or exceeds the following:

- ADA
- ICC/ANSI A117.1
- CSA B651
- OBC
- ASME A112.19.2/CSA B45.1
- EPA WaterSense®

Colors/Finishes

- 0: White
- Other: Refer to Price Book for additional colors/finishes

Accessories

- 0: White
- Other: Refer to Price Book for additional colors/finishes

Specified Model

Model	Description	Included Tank	Included Bowl	Colors/Finishes	
402077	Luxury Height HET-High Efficiency Toilet – left-hand lever	402091	403370	<input type="checkbox"/> 0	<input type="checkbox"/> Other_____
402077-RA	Luxury Height HET-High Efficiency Toilet – right-hand lever	402091-RA	403370	<input type="checkbox"/> 0	<input type="checkbox"/> Other_____

Recommended Accessories					
K-4650	Lustra™ elongated open-front toilet seat – for Accessibility compliance			<input type="checkbox"/> 0	<input type="checkbox"/> Other_____
K-4650-A	Lustra elongated open-front toilet seat with anti-microbial agent – for Accessibility compliance			<input type="checkbox"/> 0	<input type="checkbox"/> Other_____

Technical Information

Fixture:	
Configuration	two-piece, elongated
Water per full flush	1.28 gal (4.8 L)
Passageway	2" (51 mm)
Water area	8" (203 mm) x 9" (229 mm)
Seat post hole centers	5-1/2" (140 mm)

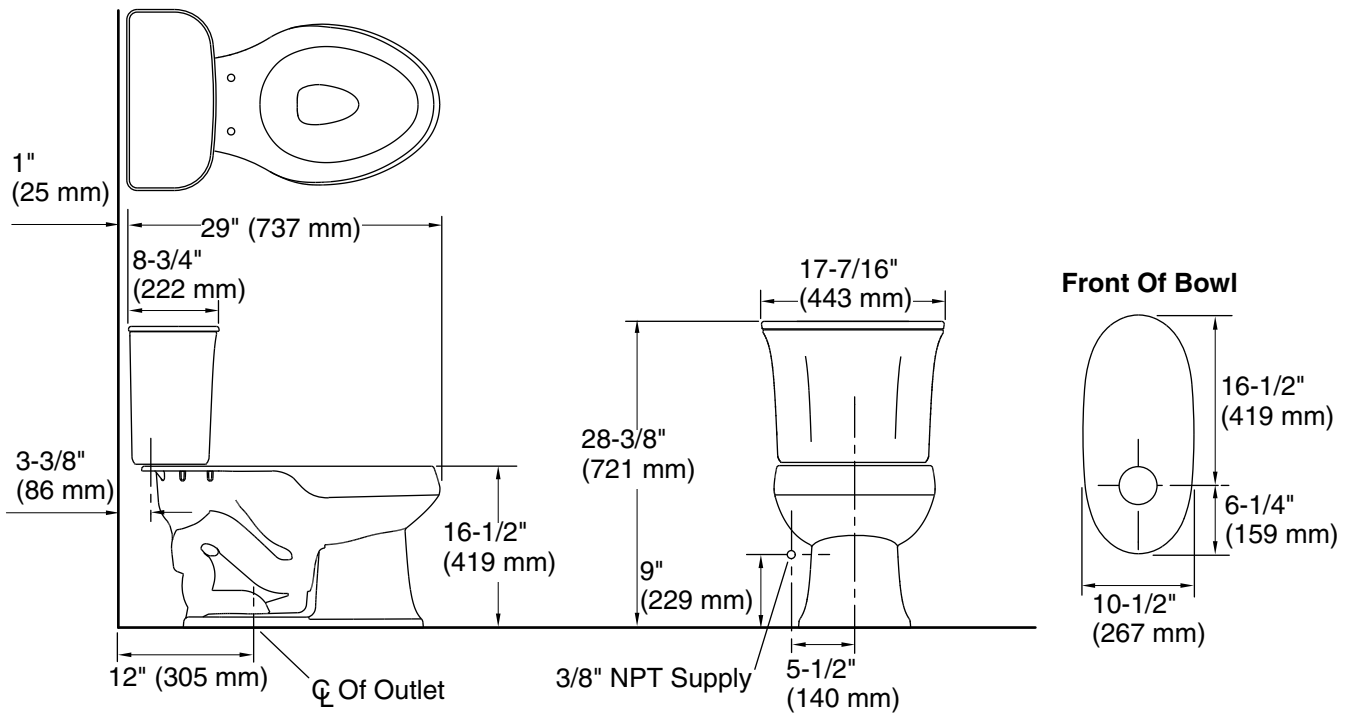
Included components:	
Bowl	403370
Tank, left-hand OR	402091
Tank, right-hand	402091-RA
Tank cover	1068490
Trip lever, left-hand OR	1091081
Trip lever, right-hand	1181348
Bolt cap accessories pack	1013092

Installation Notes

Will comply with the American Disabilities Act (**ADA**) when installed per the requirements of the Accessibility Guidelines, Section 604 Water Closets, of the Act. The Model Plumbing Codes require the installation of elongated open-front toilet seats in public bathrooms.

Will comply with **CSA B651** when installed per Clause 4.3.6 of the standard.

Will comply with **OBC Barrier Free** requirements when installed per Clause 3.8.3.8 and 3.8.3.9.



Product Diagram