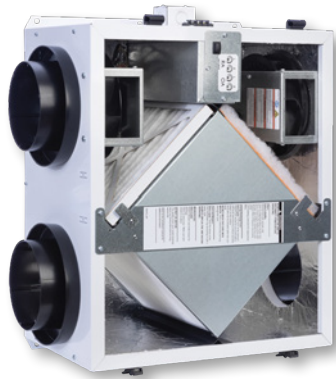


EV PREMIUM MH

Energy Recovery Ventilator EC Motor



INDOOR UNIT



SPECIFICATIONS

Ventilation Type:
Static plate, heat and humidity transfer

Typical Airflow Range: 30–225 CFM

Unit is HVI Tested/Certified per CSA C439

Protocol: Using one L-50-G5 Core

Standard Features:
White painted cabinet
Hard wired to junction box
Low-voltage circuit for controls
Unit may be mounted in any orientation
Cross-core differential pressure ports
Dial-A-Flow: balance and airflow adjustment
Variable speed
Boost-mode

Controls:
Onboard digital controller with independent variable speeds

Filters:
Total qty. 2, MERV 8, spun-polyester media:
10 1/2" x 10 1/2" x 1"

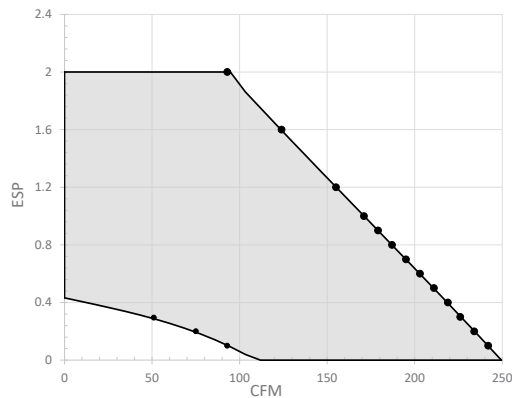
Unit Weight: 36 lbs.

Max. Shipping Dimensions & Weight (in carton):
32" L x 22" W x 18" H
48 lbs.

Motor(s):
Qty. 2, 120V EC motorized impellers

Accessories:
Backdraft damper: 6", 8"
Automatic balancing damper: 4", 5", 6"
Louvered wall vent 6": white, brown
Louvered wall vent 8": taupe vinyl, galvanized, paintable galvalneal
Louvered wall vent with 8" round duct connection: 12" W x 8" H
Hooded wall vent 8": galvanized, paintable galvalneal
Digital time clock: wall mount (TC7D-W), in exterior enclosure (TC7D-E)
Carbon dioxide sensor/control: wall mount (CO2-W), duct mount (CO2-D)
IAQ sensor: wall mount (IAQ-W), duct mount (IAQ-D)
Motion occupancy sensor/control: ceiling mount (MC-C), wall mount (MC-W)
Push-button boost timer (PBT)
Percentage timer control (PTL)
Percentage timer control with furnace interlock (FM)
Push-button point-of-use controls (PBL), PTL req'd.
MERV 13 filter: OA airstream (shipped loose)
Electric duct heater: RH series (1–6 kW); designed for indoor ductwork installation only

EC MOTOR OPERATING RANGE AND CORE PERFORMANCE



● = Actual tested sample points
| = Operating Curves, airflow is held constant as static pressure varies

Airflow (CFM)	External Static Pressure (Inches Water Column)	Unit Power Consumption (Watts)	Sensible EFF%	Total EFF% Winter/Summer
Max Speed				
242	0.1	191	57	47/28
233	0.2	190	58	48/29
227	0.3	189	59	49/31
218	0.4	189	60	50/32
210	0.5	191	61	52/34
203	0.6	192	62	53/35
195	0.7	189	63	54/37
186	0.8	191	64	56/38
180	0.9	189	65	57/40
172	1	190	66	58/42
155	1.2	191	68	61/45
124	1.6	190	72	66/51
92	2	190	77	71/57
Min Speed				
93	0.1	74	76	71/57
75	0.2	68	79	74/60
51	0.3	58	82	78/65

AUGMENTED REALITY (AR)

Scan QR code to see life size version of EV Premium M, or view here: <https://QR.Marketscale.com/EVPremiumM>



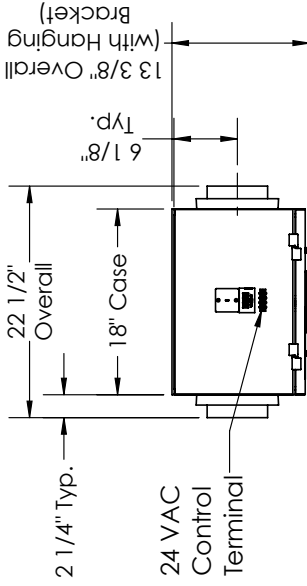
Notes:

1. Watts is for the entire unit.
2. Airflow performance includes effect of clean, standard filter supplied with unit.
3. Refer to CORES for specific operating point electrical data.
4. These are core-only ratings and are not HVI certified. Total EFF% calculated at 35/33wb OA and 70/58wb RA (winter) and 95/78wb OA and 75/63wb RA (summer). HVI ratings apply to complete units only. This unit is HVI certified. See HVI certified ratings on pg. 35 of SL & EV Premium Catalog and at hvi.org.

ELECTRICAL DATA

Watts	Volts	Hz	Phase	FLA per motor	Minimum Circuit Amps	Max Overcurrent Protection Device
85	120	60	1	1.22	10	10

EV Premium MH Energy Recovery Ventilator EC Motor

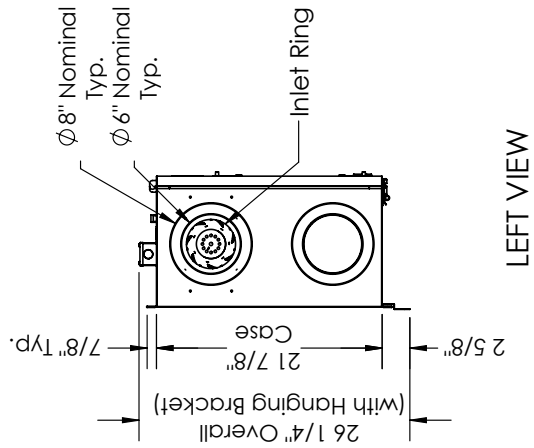


TOP VIEW

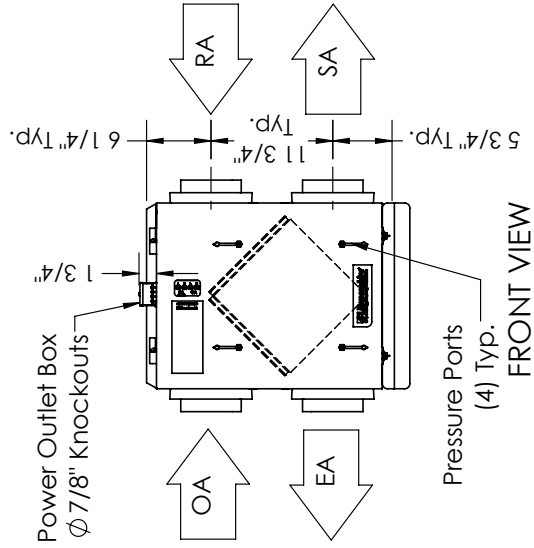
ABBREVIATIONS
 EA: Exhaust Air to outside
 OA: Outside Air Intake
 RA: Room Air to be exhausted
 SA: Supply Air to inside

INSTALLATION ORIENTATION
 Unit may be installed in any orientation.

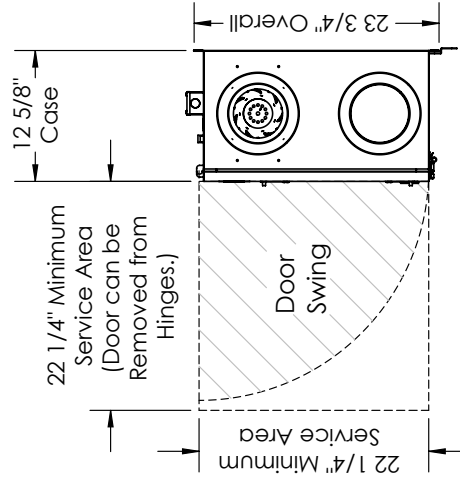
NOTE
 1. UNLESS OTHERWISE SPECIFIED, DIMENSIONS ARE ROUNDED TO THE NEAREST EIGHTH OF AN INCH.
 2. SPECIFICATIONS MAY BE SUBJECT TO CHANGE WITHOUT NOTICE.



LEFT VIEW



FRONT VIEW



RIGHT VIEW

AIRFLOW ORIENTATION
 Available as shown in dimension drawing.

UNIT MOUNTING & APPLICATION
 Can be mounted in any orientation. RA/EA airstream can be switched with OA/SA airstream.

