



Z5655-BWL

TAG _____

HET Elongated Floor Mounted EcoVantage® Flush Valve Toilet System



Z5655 Series Elongated

Recommended Trim:

- Z5955SS-EL** Elongated, standard white, open front toilet seat less cover with stainless steel check hinge.
- Z5972-COMB** Closet bolt/wax ring kit

Note: To ensure system performance:
Minimum Running Water Pressure = 25 psi.

These dimensions and specifications are subject to change without notice.

Fixture dimensions meet ANSI/ASME standard A112.19.2 and CAN/CSA B45 requirements.

EcoVantage® is a registered trademark of Zurn Industries

Z5655 HET Series

- Zurn High Efficiency Toilets and paired performance flush valve systems are designed to exceed industry standards while using as little as 1.1 gallons of water per flush.
- Universal high efficiency toilet can be specified with 1.28 gpf [4.8 lpf], 1.6 gpf [6.0 lpf] or dual flush valves.
- Vitreous china
- Elongated front rim
- 2-1/8" fully glazed trapway
- High efficiency siphon jet flush action
- Shipping Weight: 55 lbs.

Engineering Specification

Z5655-BWL

EcoVantage High Efficiency Toilet System

Vitreous China, 1.1 gpf [4.16 lpf] or greater high efficiency, floor mounted, bottom outlet toilet with siphon jet flushing action and elongated front rim with 1-1/2" top spud. This bowl is designed to perform to industry standards with as little as 1.1 gallons per flush.

*Replaces Zurn Z5650

Z5656-BWL

EcoVantage High Efficiency Toilet System

Vitreous China, 1.1 gpf [4.16 lpf] or greater high efficiency, floor mounted, bottom outlet toilet with siphon jet flushing action and elongated front rim with integral bedpan lugs, and 1-1/2" top spud. This bowl is designed to perform to industry standards with as little as 1.1 gallons per flush.

*Replaces Zurn Z5651

<p>Architectural/Engineering Approval</p>

See Zurn One Systems for suggested packages.

ZURN INDUSTRIES, LLC. ♦ COMMERCIAL BRASS OPERATION ♦ 5900 ELWIN BUCHANAN DRIVE ♦ SANFORD NC 27330

Phone: 1-800-997-3876 ♦ Fax: 919-775-3541 ♦ World Wide Web: www.zurn.com

In Canada: ZURN INDUSTRIES LIMITED ♦ 3544 Nashua Drive ♦ Mississauga, Ontario L4V1L2 ♦ Phone: 905-405-8272 Fax: 905-405-1292



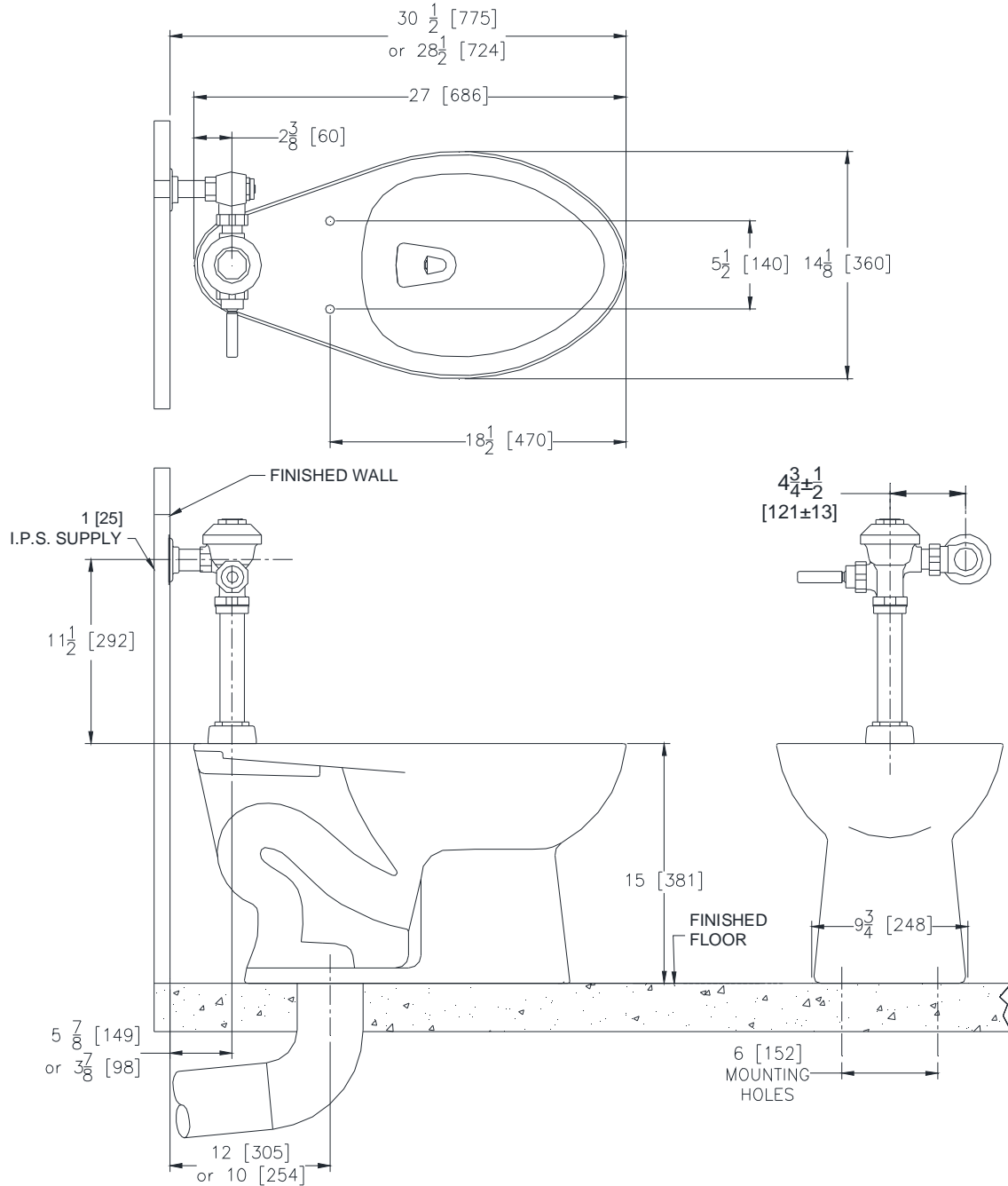
Z5655-BWL

TAG _____

HET Elongated Floor Mounted EcoVantage® Flush Valve Toilet System

Rough-in dimensions for Z5655 Series

- Z5655 with top spud, shown with Z6000AV-HET manual valve



These dimensions and specifications are subject to change without notice.

Fixture dimensions meet ANSI/ASME standard A112.19.2 and CAN/CSA B45 requirements.

EcoVantage® is a registered trademark of Zurn Industries

ZURN INDUSTRIES, LLC. ♦ COMMERCIAL BRASS OPERATION ♦ 5900 ELWIN BUCHANAN DRIVE ♦ SANFORD NC 27330

Phone: 1-800-997-3876 ♦ Fax: 919-775-3541 ♦ World Wide Web: www.zurn.com

In Canada: ZURN INDUSTRIES LIMITED ♦ 3544 Nashua Drive ♦ Mississauga, Ontario L4V1L2 ♦ Phone: 905-405-8272 Fax: 905-405-1292