

TruFLOW™ Jr. Assembly with Balancing and Isolation Valves

Submittal information

Revision F: Jan. 6, 2020

Project information

Job name:

Location:

Engineer:

Contractor:

Manufacturer's representative:

Part no. ordered:

Date submitted:

Submitted by:

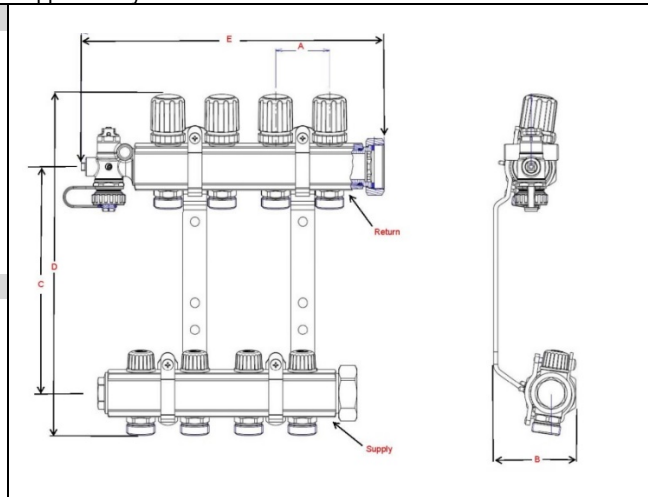
Approved by:

Technical data

Material:	UNS C3850 Brass
Manifold size:	1"
Loop Cv (valve wide open):	1.9
Manifold body threaded connections:	R32
Manifold loop threaded connections:	R20
Maximum working pressure:	145 psi
Maximum fluid temperature:	220°F (104°C)
Maximum fluid flow rate:	14.0 gpm

Product information and application use

The TruFLOW™ Jr. Assembly with Balancing and Isolation Valves comes fully assembled and ready for installation. Use the TruFLOW Balancing Hex Key on the internal balancing valves of the supply manifold to balance the loops across the manifold. The TruFLOW Jr. Manifold with Isolation Valves allows quick isolation of the loop by turning the black cap on the top of the manifold. For multiple zoning on the manifold, remove the black caps and replace with Uponor Thermal Actuators or Motorized Valve Actuators (MVAs). The manifold assembly is shipped with the appropriate number of TruFLOW Manifold Actuator Adapters. The manifold body ends have R32 unions and the loop outlets have R20 male threads.



✓ Description	Part number	A	B	C	D	E	Weight
TruFLOW Jr. Assembly, B&I, 2-loop	A2660201	1.97"	3.00"	8.25"	12.40"	7.60"	5.78 lbs.
TruFLOW Jr. Assembly, B&I, 3-loop	A2660301	1.97"	3.00"	8.25"	12.40"	9.50"	7.86 lbs.
TruFLOW Jr. Assembly, B&I, 4-loop	A2660401	1.97"	3.00"	8.25"	12.40"	11.50"	9.95 lbs.
TruFLOW Jr. Assembly, B&I, 5-loop	A2660501	1.97"	3.00"	8.25"	12.40"	13.50"	12.67 lbs.
TruFLOW Jr. Assembly, B&I, 6-loop	A2660601	1.97"	3.00"	8.25"	12.40"	15.50"	14.76 lbs.
TruFLOW Jr. Assembly, B&I, 7-loop	A2660701	1.97"	3.00"	8.25"	12.40"	17.40"	16.84 lbs.
TruFLOW Jr. Assembly, B&I, 8-loop	A2660801	1.97"	3.00"	8.25"	12.40"	19.30"	18.93 lbs.

Installation

TruFLOW Jr. Manifolds are fully assembled ready for installation. Use the TruFLOW Balancing Hex Key on the internal balancing valves of the supply manifold. The manifold is shipped with the appropriate number of actuator adapters (A2630028). Refer to the Uponor TruFLOW Jr. Manifold Instruction Sheet for further information.

Standards

ASTM F877; ISO 228-G 1¼ BSP; ISO 228-G ¾ BSP

Codes

UMC; IMC; IRC; NPC of Canada

Listings

NSF-rfh

Accessories

- A2610020: TruFLOW Loop Thermometer
- A3010522: Thermal Actuator, 4-wire
- A3020416: Thermal Actuator, 2-wire
- A2640021: TruFLOW Jr. Manifold Mounting Bracket, single bracket
- A2620002: TruFLOW Balancing Hex Key
- A2620009: Replacement O-ring for TruFLOW Temperature/Flow Meter
- A2631250: TruFLOW Manifold S&R Ball Valves
- A2631251: Manifold S&R Ball Valves with Temperature Gauges, set of 2
- A2631252: Manifold S&R Ball Valves, set of 2
- A2640015: TruFLOW Visual Flow Meter, 0.15 to 0.8 gpm

Related applications

- Radiant heating and cooling systems
- Snow and ice melting systems
- Permafrost prevention systems
- Turf conditioning systems

Contact information

Uponor Inc.
5925 148th Street West
Apple Valley, MN 55124 USA
Phone: 800.321.4739
Fax: 952.891.2008
uponorpro.com

Uponor Ltd.
6510 Kennedy Road
Mississauga, ON L5T 2X4 CANADA
Phone: 888.994.7726
Fax: 800.638.9517
uponorpro.com