

**SUBMITTAL SHEET**

JOB NAME	ITEM TAG
JOB LOCATION	PART NUMBER
CONTRACTOR	DATE
ENGINEER APPROVAL	DATE

**BRONZE METER VALVE**

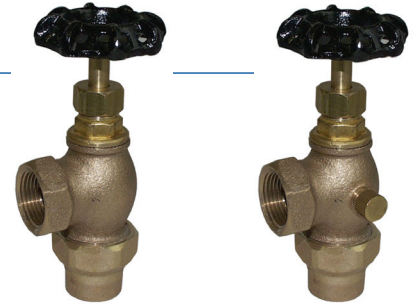
**Model T-441 / T-442**

125 W.O.G. NON-SHOCK

**Working Pressure, Non Shock (PSI)**

Cold working pressure (CWVP):

Saturated steam (WSP):



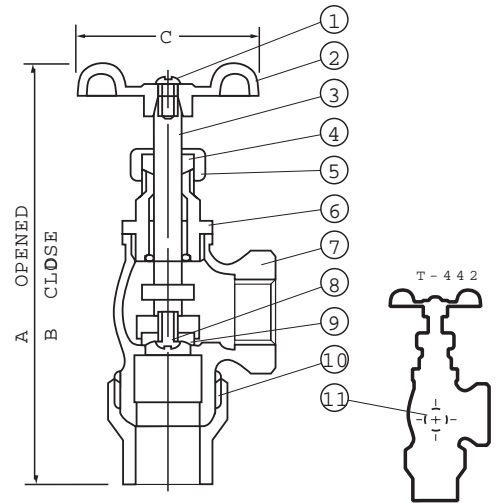
*Pictured*  
**Model T-441**

*Pictured*  
**Model T-442**

MATERIAL SPECIFICATION			
PART		MATERIAL	SPECIFICATION
1	Handle screw	Brass	
2	Handle	Cast iron	
3	Stem	BRONZE	
4	Packing	*Teflon	
5	Packing nut	Brass	
6	Bonnet	Bronze	
7	Body	Bronze	
8	Seat screw	Brass	
9	Seat	EPDM	
10	Flare nut	Bronze	
11	Waste cap (T-442)	Brass	

\*Teflon is a registered trademark of dupont

DIMENSIONS			
Size	A	B	C
3/4" X 1/2"	5.71	5.20	2.38
3/4" X 3/4"	5.71	5.20	2.38
1" X 3/4"	6.78	6.30	2.38
1" X 1"	7.49	6.74	2.75



*Pictured*  
**Model T-441 / T-442**  
Cut-away