

212LF Frost Free Sillcock- Anti-Siphon • Spec Sheet



FEATURES & BENEFITS

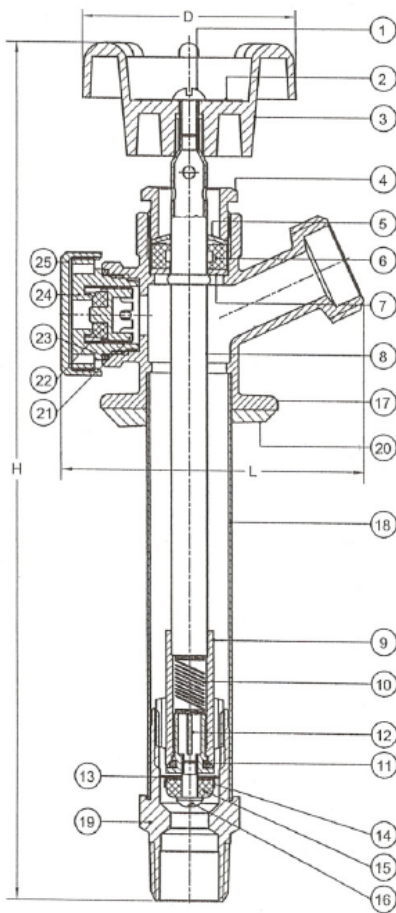
- Chrome Plated Lead Free Brass Body & Tube*
- 150 WOG
- CSA & ASSE
- Hose x 1/2" MIP / 1/2" Solder
- ISO-9002
- Sizes 4" - 12"

MATERIAL SPECIFICATIONS

No.	Part	Material
1	Handle Bolt	Brass B19 C26000
2	Name Plate	Aluminum
3	Handwheel	Zinc
4	Bonnet	Brass C89550
5	Washer	Stainless Steel 304
6	Packing	BUNA
7	Washer	Stainless Steel 304
8	Stem Pipe	Brass C27000
9	Stem Pipe	Brass C89550
10	Spring	Stainless Steel 304
11	O-Ring	BUNA
12	Spring Seat	Brass C89550
13	Flapper	BUNA
14	Seat Holder	Brass B19 C26000
15	Seat Packing	BUNA
16	Seat Screw	Brass B19 C26000
17	Body	Brass C89550
18	Pipe Flow	Brass C27000
19	Nipple	Brass C89550
20	Flange Packing	Plastic
21	Floating	Plastic
22	Floating pack	BUNA
23	O-Ring	BUNA
24	Bolt Packing	Plastic
25	Cap	Brass C89550

DIMENSIONS

Part #	Size	L	H	D
212004LF	4"	3.07	8.65	2.21
212006LF	6"	3.07	10.7	2.21
212008LF	8"	3.07	12.7	2.21
212010LF	10"	3.07	14.7	2.21
212012LF	12"	3.07	16.7	2.21



* This product complies with 0.25% weighted average lead content on wetted surfaces in accordance with CA AB1953.