

UNIVERSAL BEAM CLAMP

»» 550-11E

TouchDown™

SPECIFICATION

Sioux Chief 550-11E TouchDown Beam Clamp shall be used indoors where necessary to secure or suspend 1/4" to 1" CTS pipe or conduit from steel I-beams or steel truss members in commercial applications. Variable clamping tension allows for thermal expansion and contraction. Clamp shall be pre-assembled to metal beam clamp using tri-grip rivet. Clamp shall pivot to run pipe perpendicular or parallel to the steel I-beam or steel truss member. Clamp shall be corrosion-resistant. Clamp shall be compatible with copper, PEX and CPVC. Plastic clamp shall be IAPMO certified.

INSTALLATION

Hammer metal clamp onto steel I-beam or steel truss member. Orient the clamp to the direction that pipe or conduit is to run. Place tube between posts. Ratchet bridge evenly over both posts.

MATERIALS

Clamp and bridge: nylon 66, UL94 V2
Metal beam clamp: 18 ga. spring steel
Rivet: 1/8" tri-grip, aluminum
Washer: #6, zinc-plated

MAXIMUM SAFE LOAD

Clamp: 75-lbs.
Metal beam clamp: 200-lbs. (static)

MAXIMUM TEMPERATURE

220°F

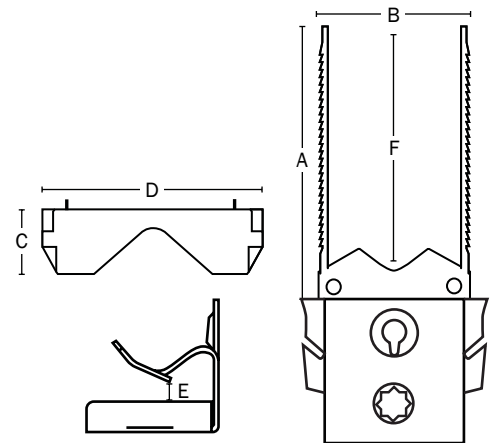
DIMENSIONS

A: clamp height 2.36"
B: clamp width 1.37"
C: bridge height .57"
D: bridge width 2.02"
E: metal clamping range 5/16" - 1/2"
F: clamping range .375" - 1.12"
 (1/4" CTS - 1" CTS)

ITEM # SUBMITTED	_____
JOB NAME	_____
LOCATION	_____
ENGINEER	_____
CONTRACTOR	_____
PO#	_____ TAG _____



550-11E



*Plastic clamp only. Made in U.S.A.

Item Number

550-11E