



# 8 Degree™ Under-mount Bar Sink K-3671

## Features

- 21-inch minimum base cabinet width.
- 16-gauge stainless steel.
- Under-mount.
- Single bowl.
- 9-inch depth.
- 18" (457 mm) x 18" (457 mm)

## Optional Accessories

- K-3140 Cutting Board
- K-8801 Sink Strainer

## Components

Product includes:

- K-6134 Sink Rack
- 91915 Hardware Kit
- K-6133 Wine Glass Rack



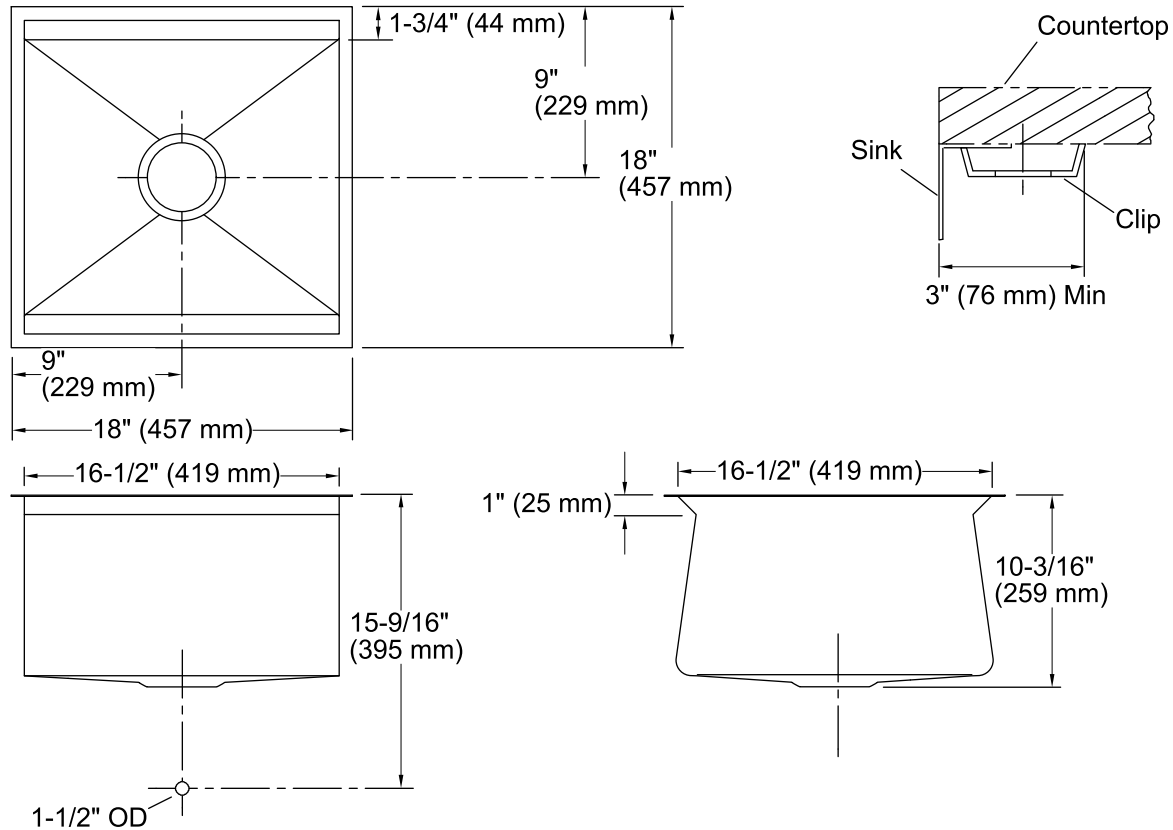
ADA

## Codes/Standards

ASME A112.19.3/CSA B45.4  
ADA  
ICC/ANSI A117.1

## Lifetime Limited Warranty for KOHLER® Stainless Steel Sinks

See website for detailed warranty information.



### Technical Information

All product dimensions are nominal.

Bowl configuration:	Single
Installation:	Under-mount
Bowl area (Only)	Length: 16-1/2" (419 mm) Width: 16-1/2" (419 mm) Bowl depth: 9-3/4" (248 mm)
Drain hole:	3-5/8" (92 mm)
Template:	Under-mount, 1093326-7, required, included

### Notes

Install this product according to the installation guide.

Allow a minimum of 3" (76 mm) clearance around the sink rim for clip attachment.

ADA compliant when installed to the specific requirements of these regulations.