

STERLING®

A KOHLER COMPANY

GRAB BAR 80011032

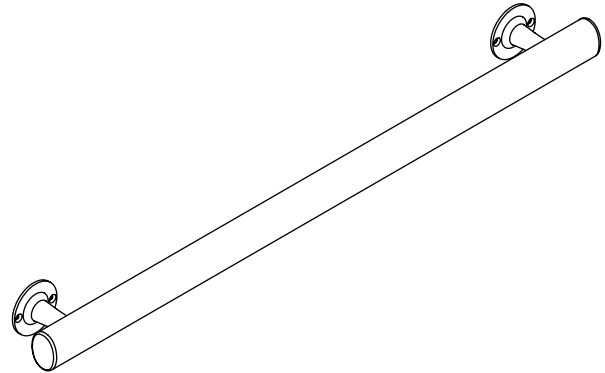
Features

- Anodized aluminum construction
- Finish matched to other Kohler and Sterling products
- Includes installation hardware
- Installs from the front side of the wall
- Variable bracket spacing allows for flexible installation
- 10-year consumer/3-year commercial limited warranty
- Complements Sterling Vikrell shower back walls

Codes/Standards Applicable

Specified model meets or exceeds the following:

- ASME A112.18.1/CSA B125.1
- ASTM F446



Colors/Finishes

- V: Matte Silver
- N: Nickel

Specified Model

Model	Description	Colors/Finishes	
80011032	32" (81.3 cm) grab bar – straight	<input type="checkbox"/> V	<input type="checkbox"/> N
Recommended Walls			
Series 7114	Accord® back wall model		
Series 7124	Accord back wall model		
Recommended Tools			
1153882	9" (22.9 cm) long T-Handle hex wrench, 1/8" drive		

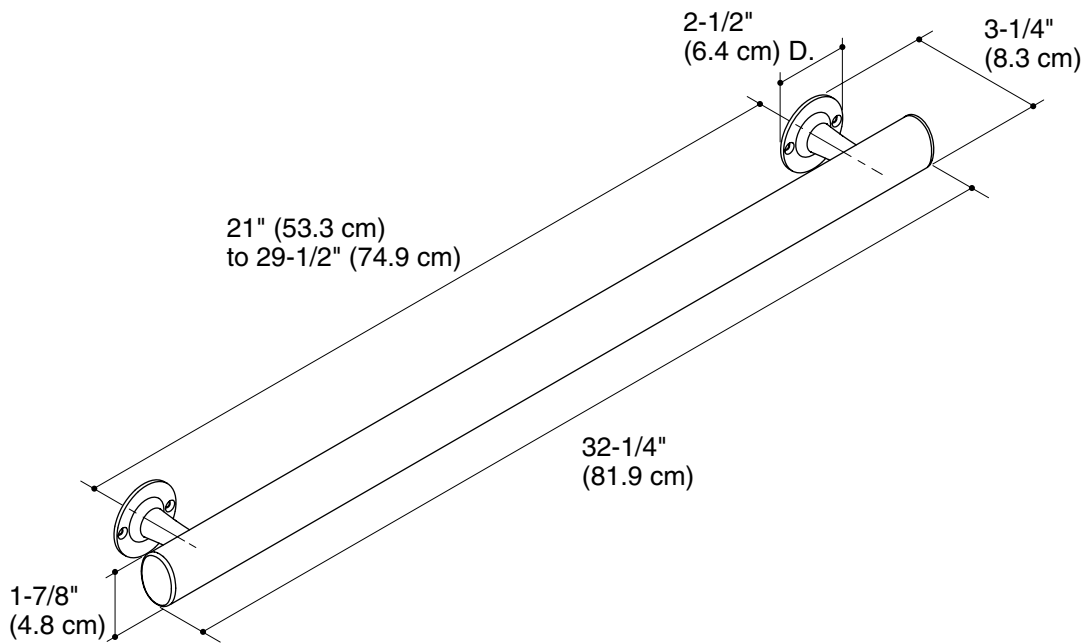
Installation Notes

Install this product according to the installation guide.



WARNING: Risk of personal injury. The wall plates on the grab bar must be mounted to a brace between the wall studs. Doing so will ensure that the weight of the user is adequately supported.

The appearance of the product may differ from the product diagram. The dimensions still apply.



Product Diagram