

VALVES Hydrotol™ Flow Control Valves

Description

The Hydrotol (HT) flow control valve is used to prevent overheating of zones due to gravity flow in hydronic heating systems and will permit summer-winter operation of indirect water heater. The HT valve allows fluid to pass when the system or zone pumps start. When the system or zone pumps are not operating, the HT valve remains closed, preventing gravity circulation. The HT valves are designed with a 1/2 turn knob that can be manually opened when draining the system or for bypass purposes. The HT valve can be installed in either the horizontal or vertical orientation.

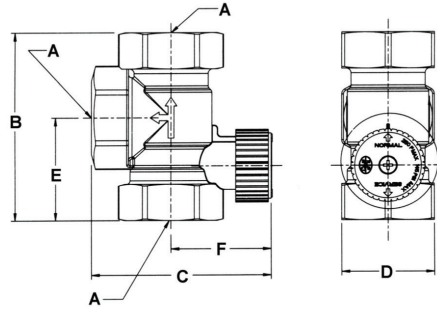


Operating Data

Maximum Working Pressure: 150 PSI (10 bar)
 Maximum Operating Temperature: 250°F (121°C)

Materials of Construction

Body: Brass
 Internal Components: Non-Ferrous



Specifications

Model Number	Part Number	Dimensions in Inches (MM)						Approx Shpg. Wt. lbs. (Kg)
		A	B	C	D	E	F	
HT-3/4	107035	3/4" NPTF	3 3/16 (82)	3 (76)	1 9/16 (40)	1 3/4 (44)	1 1/16 (43)	1.3 (0.6)
HT-1	107037	1" NPTF	3 5/8 (93)	3 3/16 (82)	1 9/16 (40)	1 15/16 (50)	1 1/16 (43)	1.2 (0.5)
HT - 1 1/4	107038	1 1/4" NPTF	4 (101)	3 11/16 (93)	1 11/16 (43)	2 1/4 (57)	1 7/8 (48)	1.8 (0.8)

Do not use for construction. Dimensions are approximate and subject to change. Contact factory for certified dimensions.

VALVES DB-Differential Bypass Valve

Description

The differential bypass valve is used in systems where heating loads may be excluded from the circuit as zone valves close. It controls the excess flow in the system by acting as a bypass while ensuring adequate flow to the remaining open circuits. The differential bypass valve helps reduce velocity noise caused by excess flow through the circuits while maintaining the pump head at a constant value.

For hydronic systems utilizing zone valve

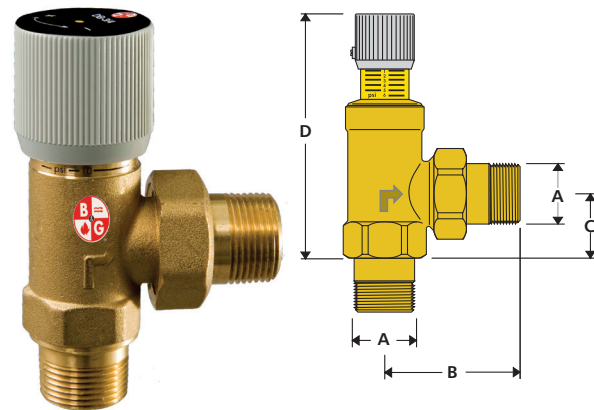
- Controls excess flow in the system when there is reduction in demand
- Available in 3/4" connection
- All brass body with non-ferrous internals

Operating Data

Maximum Working Pressure: 150 PSIG (1,034 kPa)
 Maximum Operating Temperature: 230°F (110 °C)
 Adjustment Range: 2 to 10 PSI

Materials of Construction

Valve Body: Brass
 Seals: EPDM
 Spring: Stainless Steel
 Knob: ABS



Specifications

Model Number	Part Number	A (mm)	B (mm)	C (mm)	D (mm)	Connection Type	Weight lbs. (kg)
DB-3/4	113247	3/4" (19)	2 5/16 (59)	1 (26)	4 (104)	M NPT	1 (0.45)