

Product Features

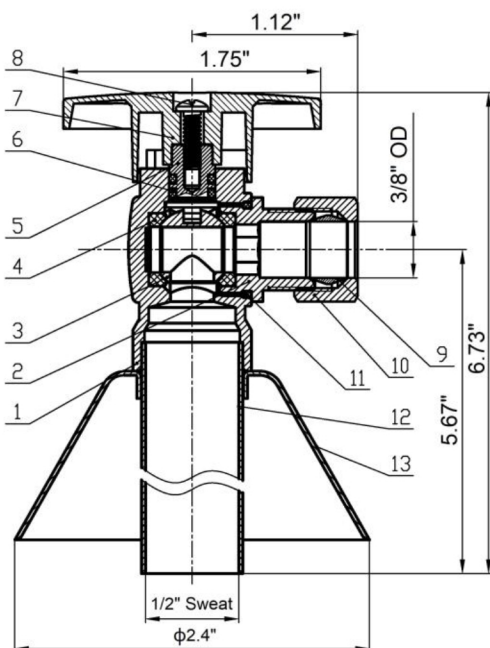
- Type Angle
- 1/4 Turn
- Lead Free
- Actuation Type Oval Handle
- Chrome Plated Brass Body
- Chrome Plated Brass 5" Escutcheon
- Chrome Plated Die Cast Zinc Handle
- Brass Stem
- Pressure Rating: 125 PSI
- Temperature Rating: 40°F - 140°F
- cUPC, NSF/ANSI 61 and 372 Approved
- 1/2" Sweat x 3/8" OD Comp
- Application Residential, Commercial, Water



Model Numbers

4PRO12.38ASKITSWT	1/2" Swt X 3/8" OD Comp LF 1/4 Turn Angle Stop Kit 5" w/Escutcheon
-------------------	--

Drawing



No.	Part	Material	QTY
1	Body	C46500 Brass	1
2	Bonnet	C46500 Brass	1
3	Ball	C46500 Brass	1
4	Seal Seat	PTFE	2
5	Stem	Brass	1
6	O-Ring	NBR	2
7	Handle	Zinc Alloy	1
8	Screw	Stainless Steel	1
9	Cutting Sleeve	Brass	1
10	Nut	Brass	1
11	O-Ring	NBR	1
12	Welded Tube	Brass	1
13	Escutcheon	Brass	1