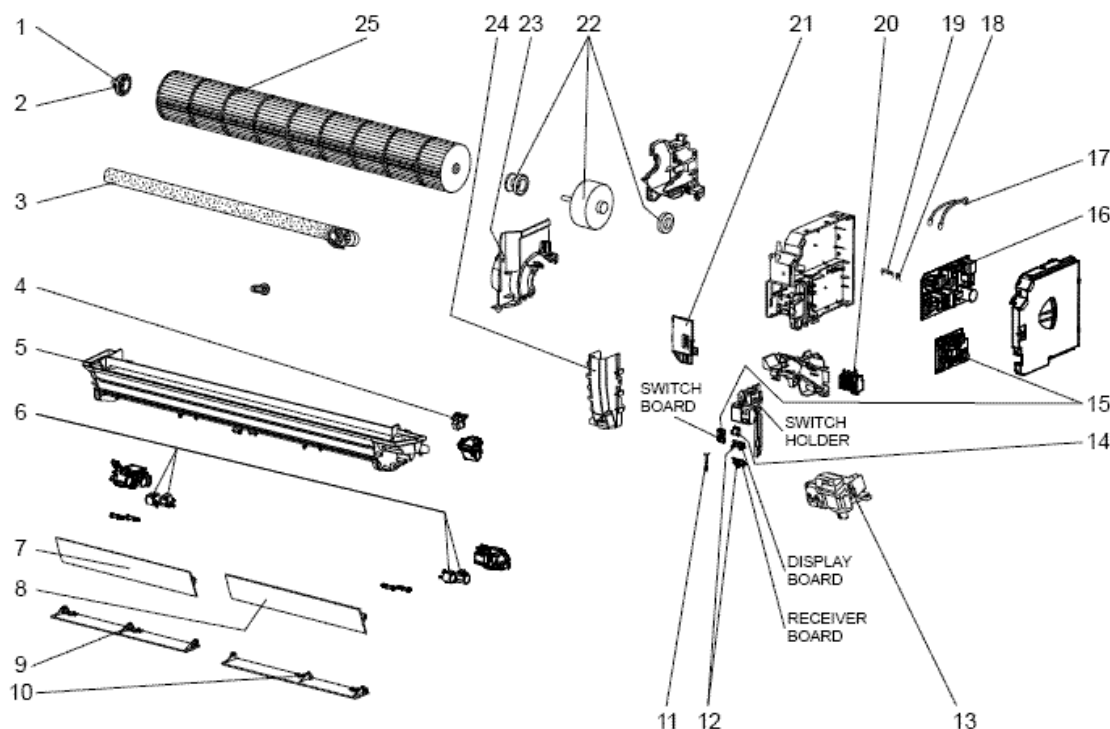


MSZ-FH25VE MSZ-FH35VE MSZ-FH50VE

1-3. INDOOR UNIT ELECTRICAL PARTS AND FUNCTIONAL PARTS



No.	Part No.	RoHS	SAP	Part Name	Specifications	Qty/Set	Remarks	Wiring diagram symbol
1	E12751509	G	190443	BEARING MOUNT		1		
2	E12001504	G	190442	SLEEVE BEARING		1		
3	E12897702	G	192479	DRAIN HOSE		1		
4	E12J44303	G	253474	VANE MOTOR (VERTICAL)		1	RIGHT & LEFT	MV2
5	E12J44235	G	253471	NOZZLE ASSEMBLY		1		
6	E17103303	G	201900	VANE MOTOR		4	UP & DOWN, 1 PC	MV1
7	E12J45040	G	253492	VANE UPPER (L)		1		
8	E12J44040	G	253444	VANE UPPER (R)		1		
9	E12J45041	G	253493	VANE LOWER (L)		1		
10	E12J44041	G	253465	VANE LOWER (R)		1		
11	E12J44308	G	253476	ROOM TEMPERATURE THERMISTOR		1		RT11
12	E12J44468	G	253483	DISPLAY AND RECEIVER P.C. BOARD		1		
13	E12J44391	G	253479	DISPLAY AND i-see SENSOR ASSEMBLY		1		
14	G12 J44 316	G		INTERLOCK SWITCH (AIR PURIF		1		
15	E12M91452	G	270666	ELECTRONIC CONTROL P.C. BOARD		1		
16	E12J44440	G	253481	POWER P.C. BOARD		1		
17	E12J44307	G	253475	INDOOR COIL THERMISTOR		1		RT12, RT13
18	E12B75385	G	219550	VARISTOR		1		NR11
19	E12A49382	G	200856	FUSE		1	T3.15AL250V	F11
20	E12F95375	G	238815	TERMINAL BLOCK		1		TB
21	E12F95784	G	238819	V.A. CLAMP		1		
22	E12J44300	G	253472	INDOOR FAN MOTOR		1	RC0J30-__	MF
23	E12J44333	G	253478	MOTOR BAND		1		

The Spare Parts Database is maintained with great care. Nonetheless, errors cannot be completely ruled out. If you notice an error, please let us know.. We reserve the right to make technical changes.