

**CODE NUMBER**

3346050

**DESCRIPTION**

Optima® Deck-Mounted Liquid Soap Dispenser, Polished Chrome Finish

**DETAILS**

- Finish: Polished Chrome (CP)
- Power Type: Battery
- Height: 4 ¼" (108mm)
- Width: 4 ¼" (108mm)
- Depth: 5 ⅜" (137mm)
- Maximum Deck Thickness: 2" (51mm)
- Sensor Type: IR

**FEATURES**

Sensor Activated, Electronic, Chrome Plated Die Cast Body, Hand Washing Liquid Soap Dispenser with the following features:

- Modular One-piece Construction and easily attaches to deck surface
- Four (4) D-size Alkaline Batteries included
- Low Battery Indicator
- Low Soap Level Indicator
- Black Plastic Throat Plate
- All mounting hardware included
- Easy Loading Disposable Soap Refills
- New Pump and Delivery Tube with each Refill
- Unit supplied with one 800 ml. Container of Lotion Soap

**SOAP REFILLS**

- ESD-217 (800mL)
- ESD-232 (1600mL)
- ESD-231 (800mL)
- ESD-233 (1600mL)



**COMPLIANCES & CERTIFICATIONS**



(ADA Compliant, WELL Building Standard)

**RECOMMENDED SPECIFICATION**

Sloan Optima Liquid Soap Dispenser model number ESD-250. Chrome plated finish with black plastic throat plate.

**DOWNLOADS**

- [ESD 200/250/300/350 Installation Instructions](#)
- [ESD-200/250/300/350 Repair and Maintenance Guide](#)
- [Additional Downloads](#)

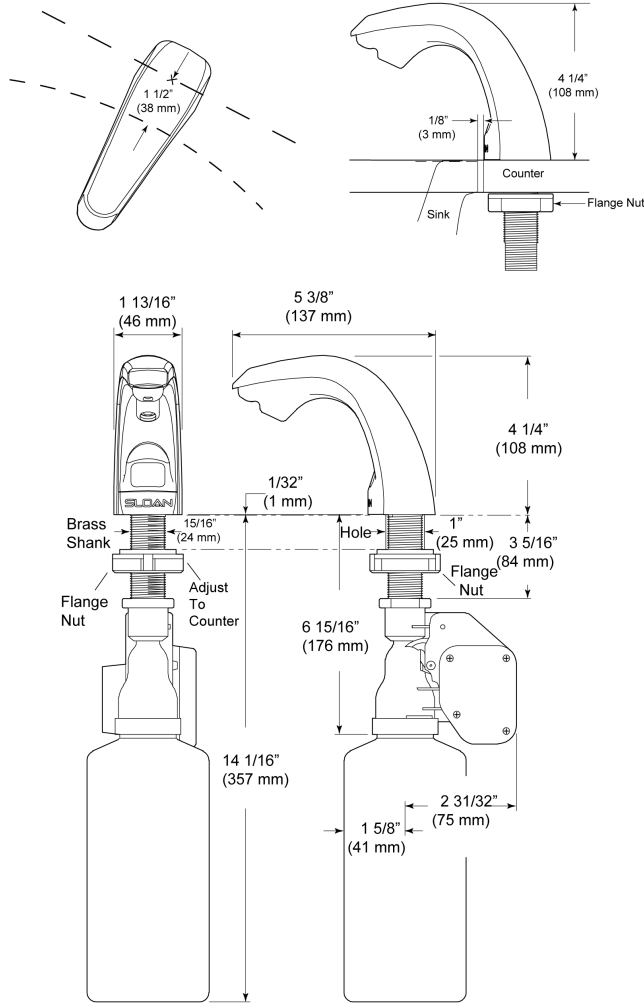
**NOTES**

All information contained within this document subject to change without notice.


**WARRANTY**

[View Warranty Information](#)

**ROUGH-IN**



**MATCHING FAUCETS**

Name	Description	
	EBF-85 Optima <sup>®</sup> Battery or Turbine-Powered Deck-Mounted Mid Body	<a href="#">View more info</a>