

BT031121-▲

BRIZO®

ACCESSORIES

■ 17 Gauge P-Trap

STANDARD SPECIFICATIONS:

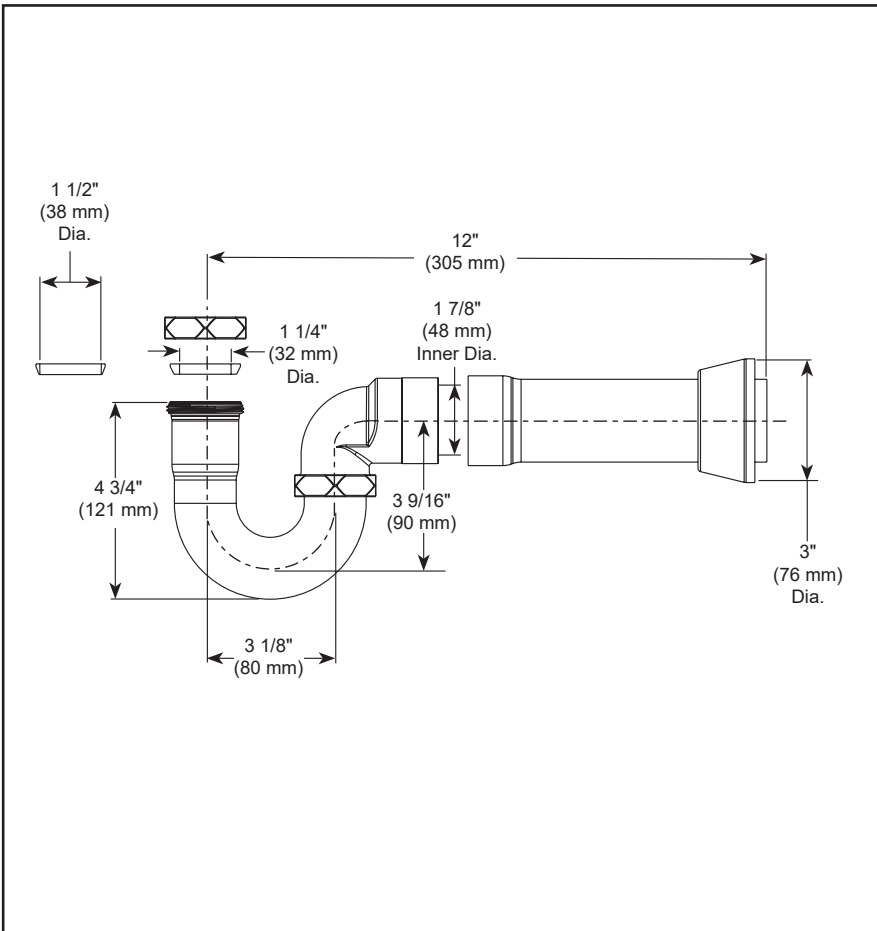
- Finished to match Brizo bath products
- 17 Ga. brass construction
- Fits 1 1/2" & 1 1/4" drains, extension tubes & tailpieces
- Adjustable rotation on tube outlet
- Slip-joint inlet
- Cover tube, escutcheon, and PVC adapter included
- Designed for exposed applications
- Optional extension RP103667▲ for compression slip fitting installation compatible with 1-1/4" diameter drain tailpieces.
- Meets New England and Massachusetts plumbing code requirements

WARRANTY

- Parts and Finish – Lifetime limited warranty; or for commercial purchasers, 10 years for multi-family residential (apartments and condominiums) and 5 years for all other commercial uses, in each case from the date the product is received by the original purchaser or their authorized representative (installation contractor, etc.).
- Please go to www.brizo.com for the complete details of our limited warranty.

COMPLIES WITH:

- ASME A112.18.2 / CSA B125.2



▲ Designate proper finish suffix

Brizo Kitchen & Bath Company reserves the right (1) to make changes in specifications and materials, and (2) to change or discontinue models, both without notice or obligation. Dimensions are for reference only. See current full-line price book or www.brizo.com for finish options and product availability.

Brizo Kitchen & Bath Company
 55 E. 111th Street, Carmel, Indiana 46280
 350 South Edgeware Road, St. Thomas, ON N5P 4L1
 © 2025 Brizo Kitchen & Bath Company