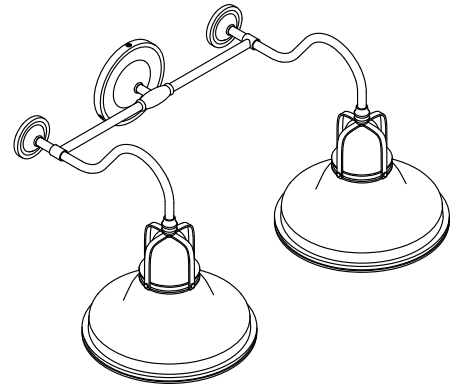


### Features

- The double-domed metal shade features a cage detail at the connection
- A great piece for any farmhouse- or industrial-style space — especially over a double-vanity sink, or in a guest bathroom, or powder room
- Medium base (E26) socket, works best with type A or G light bulbs (sold separately)
- Suitable for damp locations, per UL 1598

### Material

- Manufactured with quality materials and complemented with a meticulous finishing process
- Durable finishes engineered to last and designed to coordinate with KOHLER faucet finishes



### Codes/Standards



UL 1598  
CSA C22.2 No. 250.0

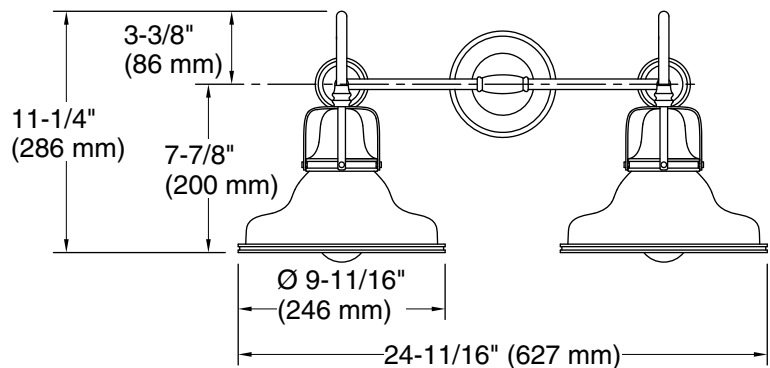
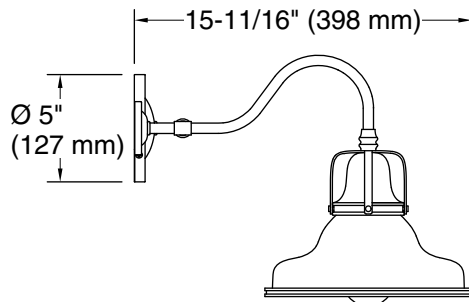
### KOHLER® Indoor Lighting Fixtures Limited Warranty

See website for detailed warranty information.

### Available Colors/Finishes

*Color tiles intended for reference only.*

Color	Code	Description
	CPL	Polished Chrome
	BML	Black, Brass Trim
	WCL	White, Chrome Trim
	WGL	White, Gold Trim



## Required Electrical Service

One dedicated circuit required.

Lights: 120 V, 1.666 A, 60 Hz

## Technical Information

All product dimensions are nominal.

Material: Steel, Aluminum

Number of Lights: 2

Lighting Type: Socket-based

Socket Type: E-26 Medium

Number of Shades: 2

Shade Type: Metal

Hanging Type: Non-hanging

Electrical component Socket Rating: 60 Hz, 100 W  
rating: