

DESCRIPTION

Complete HEU system with exposed manual Royal® urinal flushometer and vitreous china small urinal.

Flush Cycle

Model WEUS-7000.1001-0.125 (0.125 gpf/0.5 Lpf)
Code: 70001001



SPECIFICATIONS

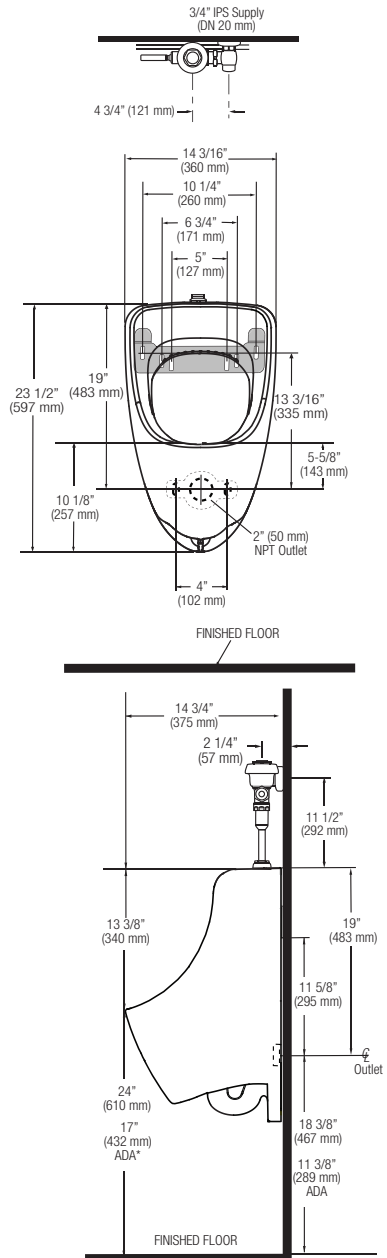
Quiet, exposed, diaphragm type, chrome plated urinal flushometer and vitreous china small urinal with the following features:

Flushometer

- PERMEX® Synthetic Rubber Diaphragm with Dual Filtered Bypass
- ADA compliant metal oscillating Non-Hold-Open Handle with Triple Seal Handle Packing
- 3/4" I.P.S. Screwdriver Bak-Chek® Angle Stop
- Free spinning Vandal Resistant Stop Cap
- Adjustable Tailpiece
- High Back Pressure Vacuum Breaker Flush Connection with one-piece Bottom Hex Coupling Nut
- Spud Coupling and flange for 3/4" Top Spud
- Sweat Solder Adapter w/Cover Tube and Cast Wall Flange with Set Screw
- High copper, low zinc brass castings for dezincification resistance
- Non-Hold-Open Handle, Fixed Metering Bypass and no external volume adjustment to ensure water conservation
- Flush accuracy controlled by CID technology
- Diaphragm, Handle Packing, Stop Seat and Vacuum Breaker molded from PERMEX® rubber compound for chloramine resistance
- Valve Body, Cover, Tailpiece and Control Stop shall be in conformance with ASTM Alloy Classification for Semi-Red Brass. Valve shall be in compliance to the applicable sections of ASSE 1037/ ASME A112.19.2/CSA B45.1

Urinal

- Wall hung vitreous china
- Washdown flushing action
- 3/4" I.P.S. top spud inlet
- 2" NPT outlet flange included
- All mounting hardware included
- Integral flushing rim
- 100% factory flush tested
- Carrier not included
- Vandal resistant strainer assembly included
- Compliant to the applicable sections of ASME A112.19.2/CSA B45.1
- Compliant with Buy American Act when purchased as a combination



NOTE: All vitreous china dimensions shown in these drawings are nominal. Dimensions can vary within the tolerances established in the governing ASME A112.19.2/CSA B45.1 standard. Please take this into consideration when planning rough-in and plumbing layouts.



Meets the American Disabilities Guidelines and ANSI A117.1 requirements when installed according to these requirements.

NOTE: Plumbing System Requirements
 ✓ Minimum **Flowing** Pressure: 25 PSI
 ✓ Maximum Fixture Static Pressure: 80 PSI



This space for Architect/Engineer approval	
Job Name	Date
Model Specified	Quantity
Variations Specified	
Customer/Wholesaler	
Contractor	
Architect	

SLOAN

Sloan Headquarters
 10500 Seymour Avenue
 Franklin Park, IL 60131
 Phone: 1-800-982-5839
 Fax: 1-800-447-8329
 www.sloanvalve.com