

### DROP-IN BATH K-892

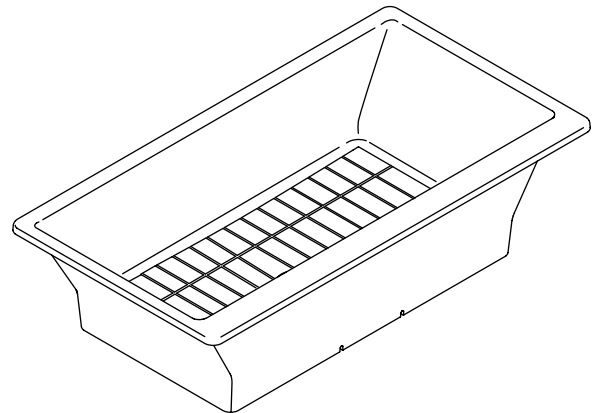
#### Features

- Cast iron with Safeguard® finish
- Less all trim
- Drop-in/Undermount installation
- Comfort Depth™ with low step-over height and slotted overflow increases bathing depth
- 66-15/16" (170 cm) x 36" (91.4 cm) x 19-1/16" (48.4 cm)

#### Codes/Standards Applicable

Specified model meets or exceeds the following:

- ASME A112.19.1/CSA B45.2



#### Colors/Finishes

- 0: White
- Other: Refer to Price Book for additional colors/finishes

#### Accessories

- CP: Polished Chrome
- Other: Refer to Price Book for additional colors/finishes
- NA: None applicable

#### Specified Model

Model	Description	Colors/Finishes	
K-892	Drop-in bath	<input type="checkbox"/> 0	<input type="checkbox"/> Other_____
<b>Required Accessories</b>			
K-7271	Clearflo slotted overflow brass bath drain	<input type="checkbox"/> CP	<input type="checkbox"/> Other_____
K-7272	Clearflo slotted overflow bath drain – PVC pipe	<input type="checkbox"/> CP	<input type="checkbox"/> Other_____
<b>Optional Accessories</b>			
K-137	Undermount kit	<input type="checkbox"/> NA	

#### Product Specification

The bath shall be made of cast iron with Safeguard finish. Bath shall be 66-15/16" (170 cm) in length, 36" (91.4 cm) in width, and 19-1/16" (48.4 cm) in height. Bath shall have drop-in/undermount installation. Bath shall feature Comfort Depth with low step-over height and slotted overflow which increases bathing depth. Bath shall be less all trim. Bath shall be Kohler Model K-892-\_\_\_\_\_.

## Technical Information

Fixture*:	
Bathing well:	
Basin area, top	62-1/2" (158.8 cm) x 29-1/4" (74.3 cm)
Basin area, bottom	49" (124.5 cm) x 26-1/2" (67.3 cm)
Weight	435 lbs (197.3 kg)
To overflow:	
Water depth	15-1/4" (38.7 cm)
Capacity	90 gal (340.6 L)
* Approximate measurements for comparison only.	
Drop-in cut-out dimensions:	66-1/2" (168.9 cm) x 35-1/2" (90.2 cm)

## Installation Notes

Install this product according to the installation guide.

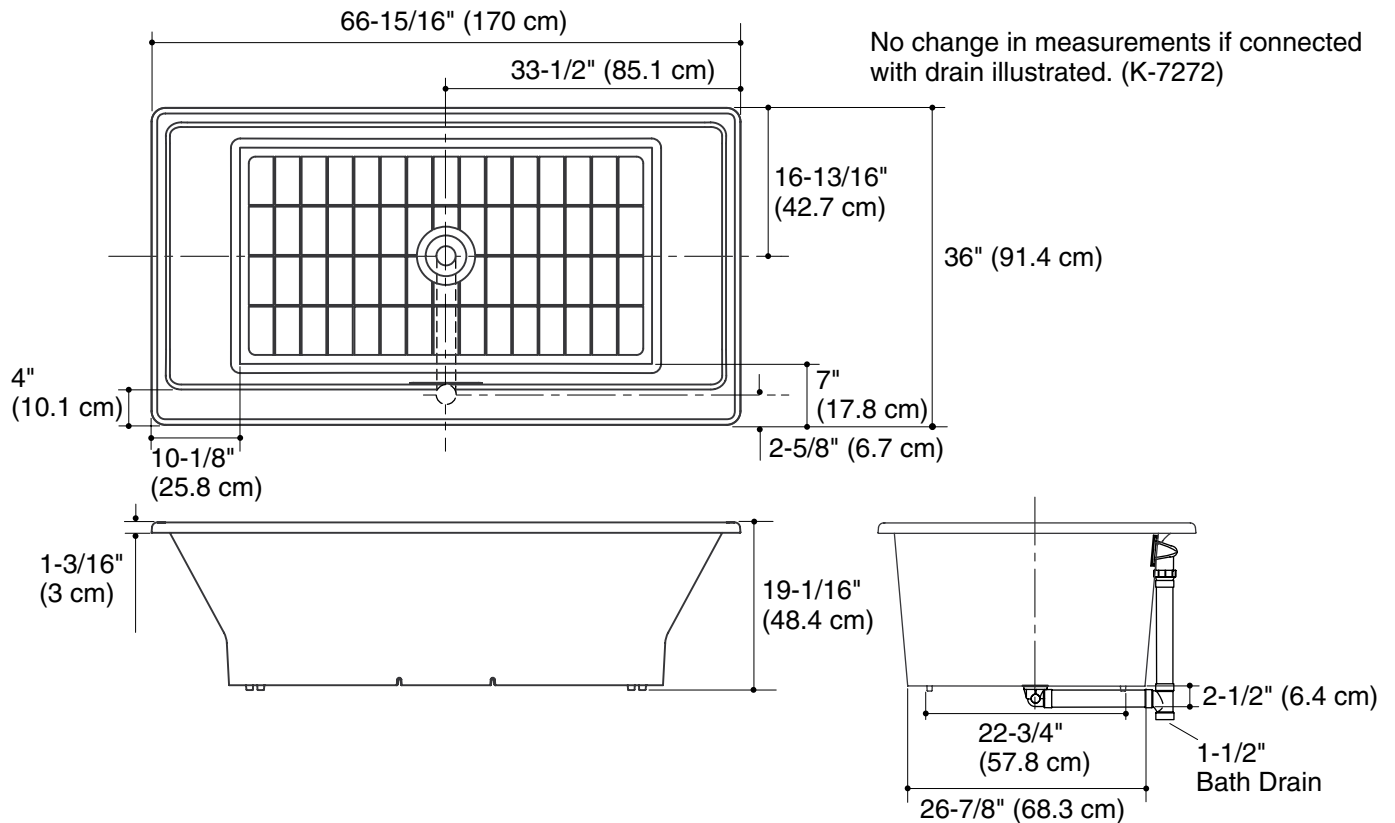
Floor support under bath must provide for a minimum of 78 lbs/square foot (386 kg/square meter) loading.

Cast iron baths are extremely heavy, making some drop-in installations difficult. Split the deck/surround if installing into a deck.

To clear the overflow side bath rim, a minimum 7" (17.8 cm) bath spout is recommended.

To clear the end wall bath rim, a minimum 10" (25.4 cm) bath spout is recommended.

Water flow from angled bath spouts less than 10" (25.4 cm) or 7" (17.8 cm) may also provide needed clearance.



## Product Diagram