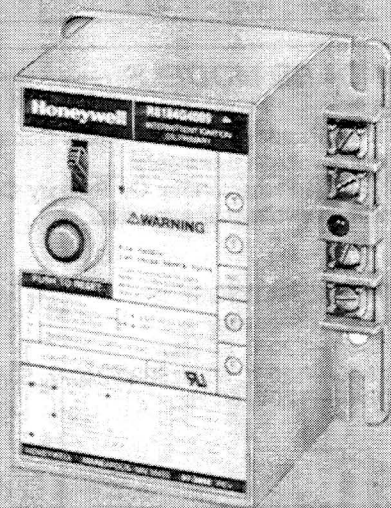


# Honeywell

## PROTECTORELAY OIL BURNER CONTROLS

THESE INTERMITTENT IGNITION OIL PRIMARY CONTROLS OPERATE THE OIL BURNER, OIL VALVE (IF DESIRED) AND THE IGNITION TRANSFORMER IN RESPONSE TO A CALL FOR HEAT IN OIL BURNER SYSTEMS.

- R4184 and R8184 provide intermittent ignition.
- Used with C554 Cadmium Sulfide Cell.
- R4184 models are used with a 120 Vac thermostat; R8184 models are used with a 24 Vac thermostat.
- Integral transformer on R8184 models powers low voltage control circuit.
- Solid state flame sensing circuit.
- Enclosed safety switch with external red reset button.
- Safety switch must be manually reset after safety shutdown.
- R8184G model available with manual trip safety switch lever and lockout indicator light on terminal strip.
- 15, 30, or 45 second safety switch timing.
- Exposed terminal strip with screw terminals for low voltage connections.
- Color-coded leadwires for line voltage connections.



## R4184D; R8184G,N

# SPECIFICATIONS

## IMPORTANT

THE SPECIFICATIONS GIVEN IN THIS PUBLICATION DO NOT INCLUDE NORMAL MANUFACTURING TOLERANCES. THEREFORE, THIS UNIT MAY NOT MATCH THE LISTED SPECIFICATIONS EXACTLY. ALSO, THIS PRODUCT IS TESTED AND CALIBRATED UNDER CLOSELY CONTROLLED CONDITIONS, AND SOME MINOR DIFFERENCES IN PERFORMANCE CAN BE EXPECTED IF THOSE CONDITIONS ARE CHANGED.

### TRADELINE MODELS

TRADELINE models are selected and packaged to provide ease of stocking, ease of handling, and maximum replacement value. Specifications of TRADELINE models are the same as those of standard models except as noted below.

R8184G Protectorelay Oil Primary Control.

#### ELECTRICAL RATINGS:

Voltage and Frequency—120 Vac, 60 Hz.

Load Relay Contacts (A)—

|              | 120 Vac | 240 Vac |
|--------------|---------|---------|
| Full Load    | 7.4     | 3.7     |
| Locked Rotor | 44.4    | 22.2    |

Ignition Rating: 360 VA in addition to load relay rating.

SAFETY SWITCH TIMING: 45 seconds.

#### FEATURES:

- Manual trip safety switch lever.
- Lockout indicator light on terminal strip.
- TRADELINE package with cross-reference label and special instruction sheet.
- Remote lockout indication capability.

### STANDARD MODELS

#### MODELS:

R4184D Protectorelay Oil Primary Control—used with a line voltage thermostat.

R8184G,N Protectorelay Oil Primary Controls—used with low voltage thermostats.

#### ELECTRICAL RATINGS:

Voltage and Frequency—

R4184D—120 V, 60 Hz.

R8184G—120 V, 60 Hz; 220/240 V, 50/60 Hz.

R8184N—120V, 60 Hz.

Load Relay Contacts (A)—

| MODEL                                  | 120 Vac |      | 240 Vac |      |
|----------------------------------------|---------|------|---------|------|
|                                        | FL      | LR   | FL      | LR   |
| R4184D, R8184G,N<br>(45 second models) | 7.4     | 44.4 | 3.7     | 22.2 |
| R8184G<br>(15, 30 second models)       | 10.0    | 60.0 | 5.0     | 30.0 |

Ignition Rating (in addition to load relay rating)—

R4184D, R8184G,N (45 second models): 360 VA.

R8184G (15, 30 second models): 500 VA.

Maximum Watts (at 60 Hz)—

Start: 8.2 A, Running: 5.5 A.

*(continued on page 3)*

# ORDERING INFORMATION

WHEN PURCHASING REPLACEMENT AND MODERNIZATION PRODUCTS FROM YOUR TRADELINE WHOLESALER OR YOUR DISTRIBUTOR, REFER TO THE TRADELINE CATALOG OR PRICE SHEETS FOR COMPLETE ORDERING NUMBER, OR SPECIFY—

1. Order number, Tradeline if desired.
2. Voltage and frequency.
3. Safety switch timing.
4. Thermostat heat anticipator setting.
5. Manual trip safety switch, if desired.
6. Lockout indicator light, if desired.
7. Remote lockout indication capability, if desired.

IF YOU HAVE ADDITIONAL QUESTIONS, NEED FURTHER INFORMATION, OR WOULD LIKE TO COMMENT ON OUR PRODUCTS OR SERVICES, PLEASE WRITE OR PHONE:

1. YOUR LOCAL HONEYWELL RESIDENTIAL AND BUILDING CONTROLS DIVISION SALES OFFICE (CHECK WHITE PAGES OF YOUR PHONE DIRECTORY).
2. RESIDENTIAL AND BUILDING CONTROLS DIVISION CUSTOMER SATISFACTION  
HONEYWELL INC., 1885 DOUGLAS DRIVE NORTH  
MINNEAPOLIS, MINNESOTA 55422 (612) 542-7500

(IN CANADA—HONEYWELL LIMITED, 740 ELLESMERE ROAD, SCARBOROUGH, ONTARIO M1P 2V9)  
INTERNATIONAL SALES AND SERVICE OFFICES IN ALL PRINCIPAL CITIES OF THE WORLD.

**SAFETY SWITCH TIMING:**

R4184D, R8184N—45 seconds.

R8184G—15, 30 or 45 seconds.

**IGNITION SEQUENCE:** All models provide intermittent ignition—ignition is on whenever the burner is on.

**THERMOSTAT HEAT ANTICIPATOR SETTING:**

R8184G—0.2 A or 0.4 A, depending on model;  
R4184D, R8184N—0.2 A.

**AMBIENT TEMPERATURE RANGE:**

-40° F to 130° F [-40° C to 54° C].

Models also available with -40° F to 150° F [-40° C to 66° C]

**MOUNTING:** Mount on a standard 4 x 4 in. junction box; some R4184D and R8184G,N models mount directly on burner. R8184G1427 must be mounted with device label facing upward. Refer to Fig. 4.

**DIMENSIONS:** See Figs. 1 and 2.

**ACCESSORY:** Part No. 128732 Terminal Cover (see Fig. 3).

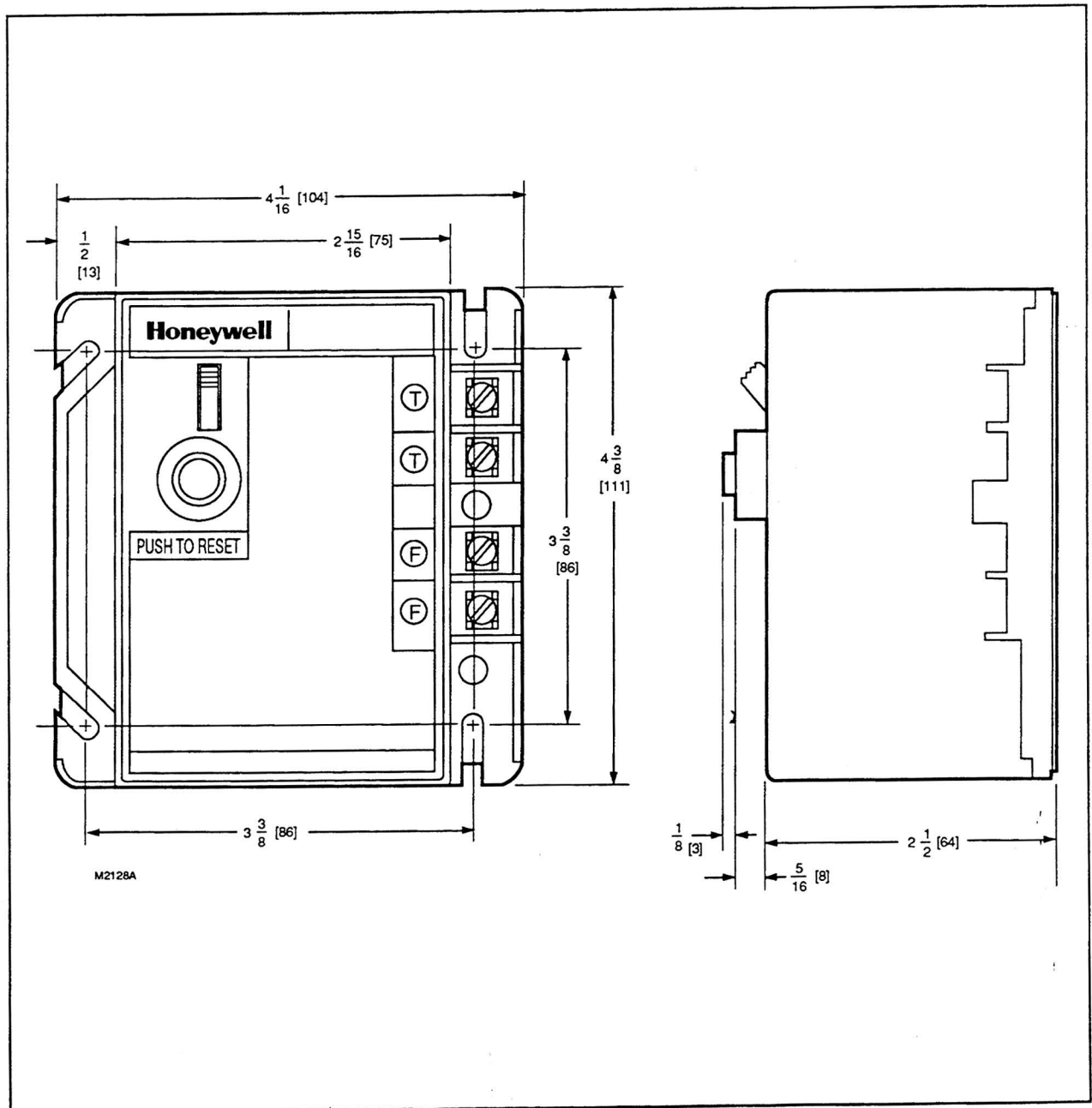
**MANUAL TRIP SAFETY SWITCH LEVER:** TRADELINE models include a lever to manually trip the safety switch.

**LOCKOUT INDICATION:** TRADELINE R8184G includes a light emitting diode (LED) on the terminal strip that lights to indicate when the oil primary control has locked out on safety.

**FLAME DETECTOR (order separately):** C554A Cadmium Sulfide Cell.

**UNDERWRITERS LABORATORIES INC. COMPONENT RECOGNIZED:** File No. MP268, Vol. 9, Guide No. MCC22.

**CANADIAN STANDARDS ASSOCIATION LISTED:** File No. LR1620, Guide No. 2642-01.



**FIG. 1—APPROXIMATE MOUNTING DIMENSIONS IN INCHES AND [MILLIMETERS] (R8184G shown).**