

Features

- Single-speed whirlpool offers performance and value, with 5 fully adjustable jets
- Hydromassage flow and direction can be controlled at each jet
- Built-in heater
- Hourglass shape adds style and elegance to your bathroom
- Textured bottom surface
- Multiple pump location options give you more choices for installation and access

Material

- Acrylic

Hydrotherapy

- Whirlpool

Installation

- Reversible drain
- Drop-in

Required Products/Accessories

K-T37391 Rotary-turn bath drain trim
K-T37392 Rotary-turn bath drain trim

or

K-37383 Rough-in cable bath drain, PVC, 30" cable with tubing
K-78438 30" cable bath drain

or

K-37385 rough-in cable drain, PVC, 45" cable
K-78439 45" cable bath drain

Recommended Products/Accessories

K-1491 Bath/Whirlpool Pillow
K-7213 27" Cable Bath Drain
K-7214 27" Cable Bath Drain
K-9695 5-Jet Trim Kit
K-1601 Bath/whirlpool footstop, removable
K-23726 Drain treatment
K-23732 Tub & shower cleaner
K-7265 Brass toe tap bath drain
K-7259 Brass toe tap bath drain
K-31796 Above-the-floor bath drain kit
K-31798 Bath drain kit



Codes/Standards

ASME A112.19.7/CSA B45.10
CSA B45.5/IAPMO Z124
ASTM E162
ASTM E662
UL 1795

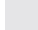


KOHLER® Plastic Baths and Shower Bases Lifetime Limited Warranty KOHLER® Hydrotherapy Components Five-Year Limited Warranty

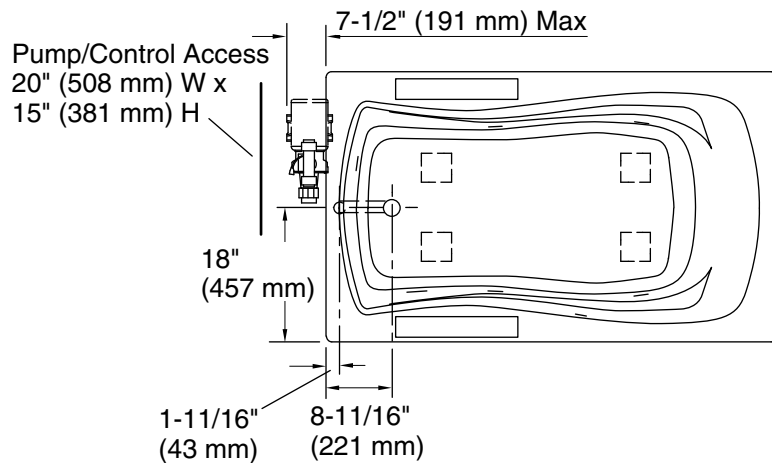
See website for detailed warranty information.

Available Colors/Finishes

Color tiles intended for reference only.

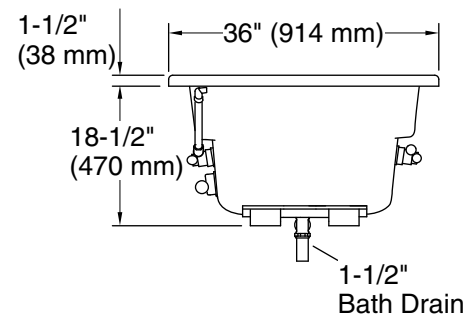
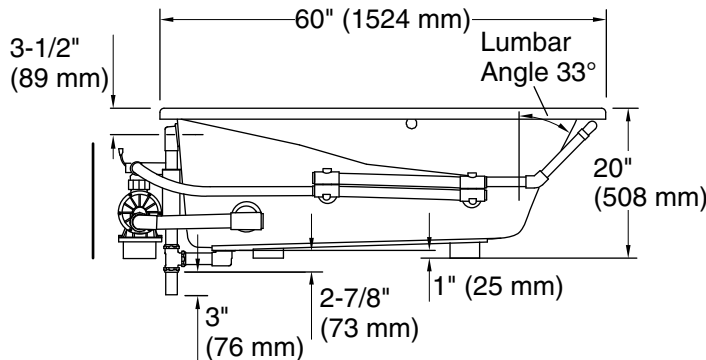
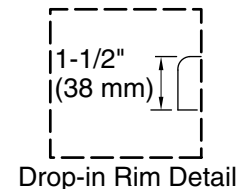
Color	Code	Description
-------	------	-------------

	0	White
	96	Biscuit
	NY	Dune



No change in measurements if connected with drain illustrated. (K-7161-AF)

□ Recommended Faucet Location



Required Electrical Service

Two dedicated circuits required, protected with Class A Ground-Fault Circuit-Interrupter (GFCI). Outside North America, this device may be known as a Residual Current Device (RCD).

Pump: 120 V, 15 A, 60 Hz
Heater: 120 V, 15 A, 60 Hz

Technical Information

All product dimensions are nominal.

Drain location: Reversible
Basin area, bottom: 46" x 24" (1168 mm x 610 mm)
Basin area, top: 54" x 27" (1372 mm x 686 mm)
Weight: 110 lbs (49.9 kg)
Minimum floor load: 44 lbs/ft² (214.8 kg/m²)
Water depth: 14" (356 mm)
Water capacity: 63 gal (238.5 L)
Cutout: Drop-in, 58" x 34" (1473 mm x 864 mm)
Electrical component rating: Pump: 120 V, 7.5 A, 60 Hz
Heater: 120 V, 12.5 A, 60 Hz, 1500 W
Pump speed: Single

Notes

Measure your actual product for rough-in details.

Install this product according to the installation instructions.

The hot water supply should be 70% of the capacity of the bath or greater. Installations will vary.

Pump must be relocated to custom position at the time of installation. Provide adequate clearance.

If installing a rim-mount faucet, make sure there is no interference above or below the deck before drilling any holes.