

Home Care Technical Specification

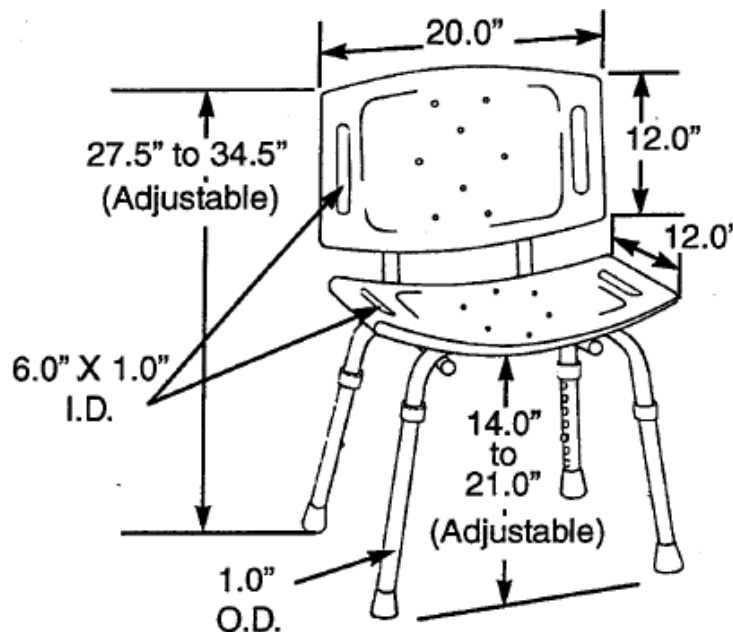
Adjustable Tub/Shower Chair

DN7030

Stock Numbers:

- q **DN7030 – Adjustable Tub/Shower Chair**
White w/ Polished Aluminum
Adjustable 14.0" to 21.0"
Photo Box Packaging with Handle

Dimensions:



Materials:

ASSEMBLY TESTED
TO CONFIRM ADA
COMPLIANCE



Adjustable Tub/Shower Chair is made from high impact polypropylene. Legs are polished anodized aluminum. Feet are gray rubber.

WARNING

This product has a maximum user weight of 250lbs. Do not jump or stand on this seat. Contact CSI Customer Service immediately at 1-800-882-0116 if any components are damaged or missing. Making substitutions or modifying this product in any way will void your warranty. CSI assumes no liability for any damage or injury caused by improper assembly, installation or use of this product.

Installation Instructions:

1. Assemble backrest. Place one L-shaped backrest support tube into the groove of the back of one of the white plastic seat panels so that the red arrow points up and is not covered. Attach tube to seat panel by inserting a 1 ½" screw through a washer and through the tube into each of the two holes on one side of the back of the seat panel. Repeat for the second L-shaped tube.
2. Position legs. With second plastic seat panel upside down, place leg "1" into groove "1" so that the number "1" marks are next to each other. Then place leg "2" over leg "1" so that the number "2" marks are next to each other.
3. Attach legs. Insert a 1 ½" screw through a washer into the center hole of the legs and seat. Tighten several turns.
4. Attach backrest. With seat still upside down, place assembled backrest over seat assembly. Insert remaining four "2" screws through washers, backrest support tubes and legs into the bottom of the plastic seat panel. Tighten all five screws fully. Test seat. Retighten as needed.
5. Push in button on leg, slide leg to desired height and allow button to pop out and lock leg in place. Repeat for each leg, making sure all four are adjusted to the same height.

Stock Number: _____ Adjustable Tub/Shower Chair
By CSI Bath Furnishings

