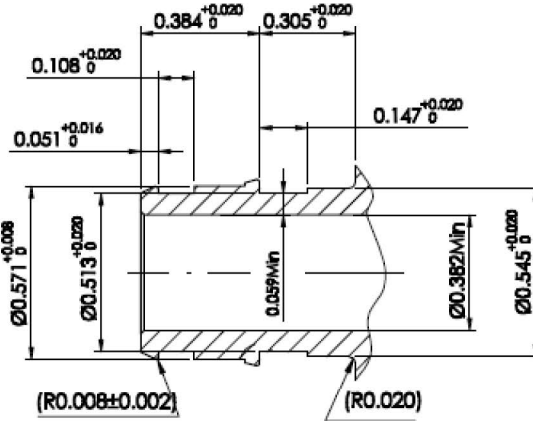
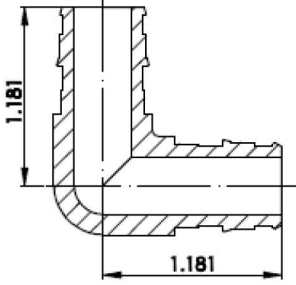


Lead Free Cold Expansion PEX Fittings

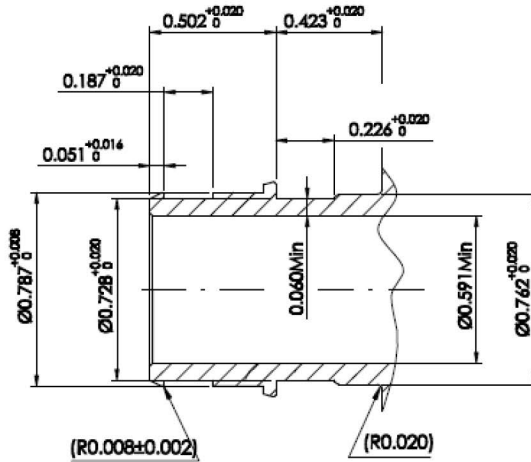
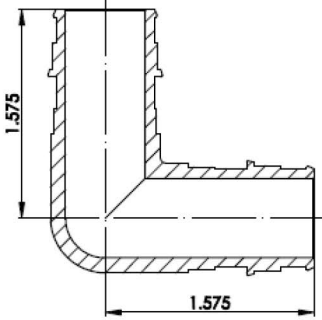
Specification Sheet

LEAD FREE F1960 PEX ELBOW

PXCEL03LF



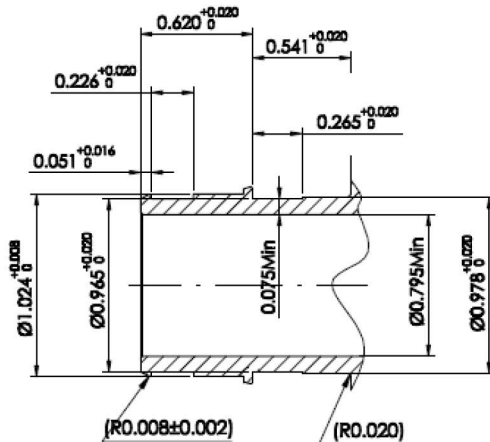
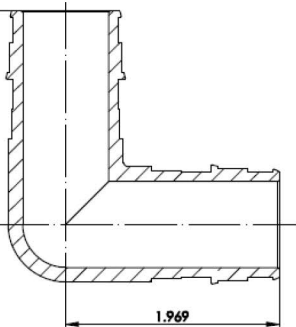
PXCEL04LF



Features:

- Lead Free Compliant
- Max. Working Temp./Pressure: 180° F @ 100 PSI
- For use in Hot and Cold Potable Water Distribution Systems
- Manufactured and tested in accordance with ASTM F1960 and F877
- Compliant with CSA B137.5

PXCEL05LF



Approvals / Standards:

- ASTM F1960
- CSA B137.5
- NSF/ANSI 14, NSF/ANSI 61, NSF/ANSI 372
- cNSFus
- cUPC

