



H-7x61 Pro-Pal Boiler Vent Valve

H-7x61 Series

Pro-Pal Boiler Vent Valve

Full Port Forged Brass Ball Valve w/ Auto Air Vent
 3/4 FIP Pressure Relief Valve Port
 1/4 NPT Gauge Ports (Plugged)
 3/4 FIP Low Water Cutoff Port (Plugged)
 & 3/4 Close Nipple



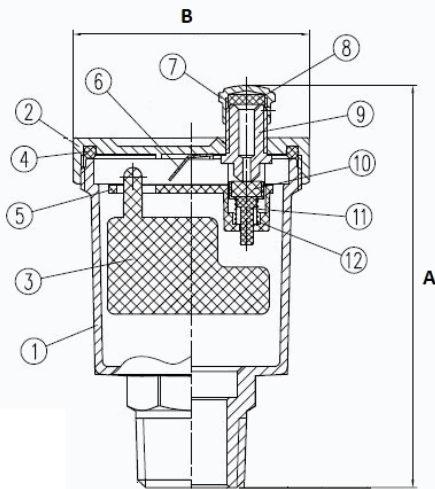
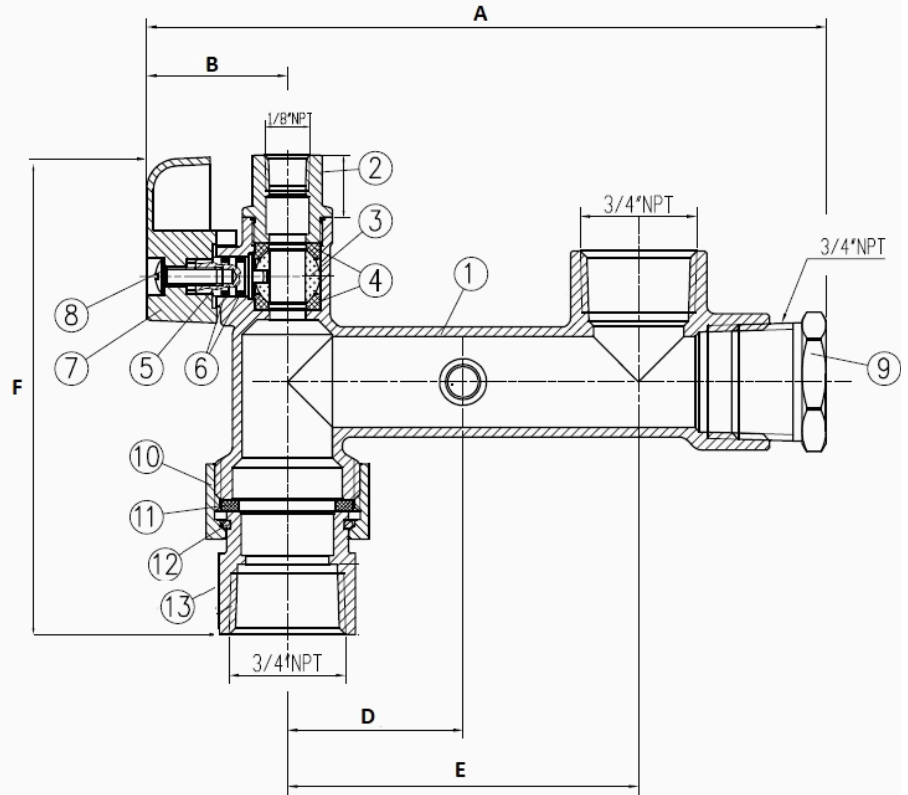
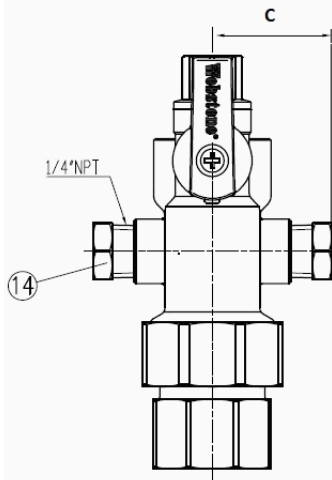
	Size (in)	Item#	Max Temp	Pressure Rating	Weight (lbs)	Carton Qty	Case Qty
FIP	3/4"	H-74613	200°F Max	145 PSI CWP Max	1.54	1	20



FIP	Size (in)	Item#	A	B	C	D	E	F
	3/4"	H-74613	6.09	1.26	1.25	1.57	3.15	4.35

NO.	DESCRIPTION	MATERIAL
1	Body	Brass
2	Cap	Brass
3	Ball	Brass HCP
4	Seat	PTFE
5	Stem	Brass
6	O Ring	EPDM
7	Handle	Aluminum
8	Screw	Stainless Steel
9	Plug	Brass
10	Union Nut	Brass
11	Union Gasket	EPDM
12	Lock Ring	Stainless Steel
13	Union Fitting	Brass
14	Plug	Brass

Specifications: Designed for use with water, oil, glycol mix in residential or commercial heating systems. This valve is actuated by a blowout proof stem. Features a double o-ring stem seal design. Threaded ends comply with ANSI B1.20.1.



	Size (in)	Max Temp	Pressure Rating	Weight (lbs)	A	B
Air Vent	1/8" MIP	230°F Max	145 PSI CWP Max	0.32	2.85	1.81

NO.	DESCRIPTION	MATERIAL
1	Body	Brass
2	Body Cap	Brass
3	Float	Plastic
4	O Ring	EPDM
5	Float Arm	Plastic
6	Float Arm Retainer	Stainless Steel
7	Vent Cap	Brass
8	Vent Cap Gasket	EPDM
9	Vent Stem	Brass
10	Seat	FKM
11	Seat Retainer	Plastic
12	Spring	Stainless Steel

