

ADJUSTABLE ON-GRADE FLOOR DRAIN

» 832 SERIES

FinishLine™

SPECIFICATION

Sioux Chief 832 series FinishLine™ adjustable floor drain shall be used where necessary in drainage systems. Floor drain shall allow adjustment before and AFTER the concrete pour. Strainer shall meet applicable load requirements for intended use. Trap primer port shall be threaded 1/2" FIP for optional connection. Designed in accordance with ASME A112.6.3-2001.

MATERIALS

Ring/strainer: Nickel-bronze, stainless steel

Coring Plug: High-impact polymer

Head Adapter/Coring Sleeve: Gray ABS

Base Adapter: ABS, PVC

STRAINER LOAD RATING

Nickel-bronze: 1,000 lbs. (Light duty, heel-proof)

Stainless Steel: 1,000 lbs. (Light duty, heel-proof)

STRAINER FREE AREA

Round nickel-bronze/stainless steel: 13.4 in²

Square nickel-bronze/stainless steel: 16.4 in²

DIMENSIONS

A: Connection*	2", 3x4", 4" Sch. 40 hub
B: Ring/strainer diameter	
Round	6 1/2"
Square	7"
C: Base adapter height**	4 1/2"
D: Pre-pour height**	5 3/8" – 6 5/8"
E: After-pour height	
Round	0" – 1 1/4"
Square	5/16" – 1 1/4"
F: Trap primer port	1/2" FIP thread, for knockout connection

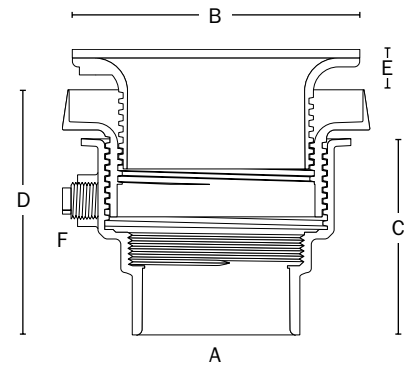
* 2" hub connection is a factory-installed 2x3 bushing in 3" hub model

** Add 1/4" for 2" hub connection

ITEM # SUBMITTED	_____
JOB NAME	_____
LOCATION	_____
ENGINEER	_____
CONTRACTOR	_____
PO#	_____ TAG _____



832-36PNR



Create Item Number

832-ABCD

e.g. **832-36PNRV:** FinishLine™ floor drain with 3" PVC hub connection and vandal-resistant, nickel-bronze strainer

CONNECTION SIZE A

- 2 = 2" Sch. 40 hub
- 36 = 3x4" Sch. 40 hub
- 4 = 4" Sch. 40 hub

CONNECTION TYPE B

- A = ABS base adapter
- P = PVC base adapter

RING/COVER C

- NR = Round nickel-bronze
- NQ = Square nickel-bronze
- SR = Round stainless steel
- SQ = Square stainless steel

INSTALLED OPTIONS D

- V = Vandal-resistant strainer screws
- B = Complies with Buy American Act¹
- E = 1 1/4" extended strainer rim¹
- H = Hinged strainer (750 lbs. safe load)

ACCESSORIES (ordered separately)

- 832-S4 = Leveling shim kit
- 832-EX4 = Ductile extension adapter
- 832-W = Flexible locating bristle kit
- 832-UM = Stainless mesh debris basket
- 863-FN = Round nickel-bronze condensate funnel
- 863-FA = Round aluminum condensate funnel
- 863-FNO = Oval nickel-bronze condensate funnel

1 Available for round nickel-bronze strainers only