

Product information presented here reflects conditions at time of publication. Consult factory regarding discrepancies or inconsistencies.



**PUMP COMPANY**

Zoeller Family of Water Solutions™

MAIL TO: P.O. BOX 16347 • Louisville, KY 40256-0347  
SHIP TO: 3649 Cane Run Road • Louisville, KY 40211-1961  
(502) 778-2731 • 1 (800) 928-PUMP • FAX (502) 774-3624

visit our web site:  
[www.zoeller.com](http://www.zoeller.com)

**COMPARE THESE FEATURES**

- Non-clogging vortex impeller design
- Float operated, 2-pole switch
- Durable cast iron construction. Cast iron switch cap, motor, and pump housing.
- Engineered plastic base
- Stainless steel screws, bolts, handle, guard, arm and seal assembly
- Engineered, glass-filled, plastic impeller with metal insert
- UL listed 3-wire cord and plug. 15 ft. cord standard for automatic & nonautomatic
- Corrosion-resistant powder coated epoxy finish
- Motor - .4 HP 115V & 230V, 1Ph, 60 Hz, 1725 RPM, oil filled PSC motor, hermetically sealed, automatic reset thermal overload protection
- Upper and lower sleeve bearings running in bath of oil
- Carbon and ceramic shaft seal
- Passes 2" spherical solids
- 2" NPT Discharge
- On point - 12-1/2" • Off point - 4-1/2"

**Note:** The sizing of effluent systems normally requires variable level float(s) controls and properly sized basins to achieve required pumping cycles or dosing timers with nonautomatic pumps.

**SIMPLEX AND DUPLEX SYSTEMS AVAILABLE**

**264 SERIES**

**“WASTE-MATE”**

(For Pump Prefix Identification see News & Views 0052)

**SUBMERSIBLE  
SEWAGE/EFFLUENT\*  
OR DEWATERING PUMP**

**2" NPT DISCHARGE**



Tested to UL Standard UL778  
& Certified to CSA  
Standard C22.2 No. 108



DESIGNED • MACHINED • ASSEMBLED  
IN THE USA



C SA US



**POWDER  
COATED  
TOUGH™**



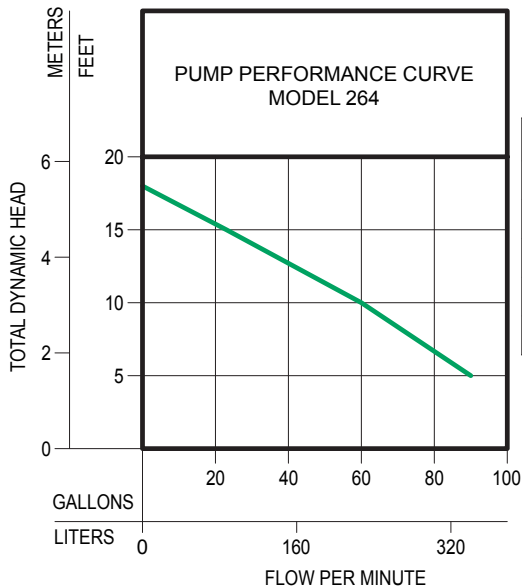
SSMA  
Certified  
50  
YEARS



**MODELS AVAILABLE**

- Automatic
- Nonautomatic (for variable level systems)
- BE & BN264 available packaged with Piggyback variable level float switch.

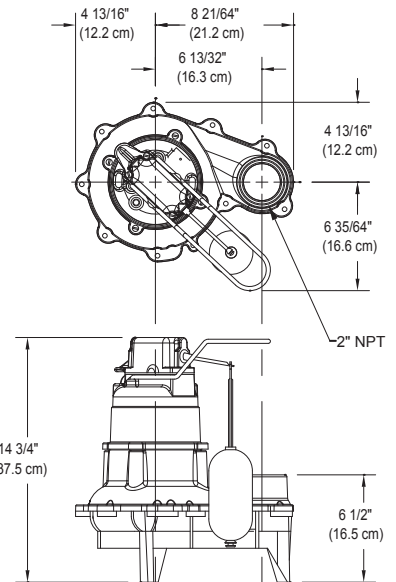
\* May be used in those states where codes do not restrict solids size in effluent systems.



TOTAL DYNAMIC HEAD/FLOW  
SEWAGE AND DEWATERING

MODEL		264	
Feet	Meters	Gallons	Liters
5	1.5	90	341
10	3.0	60	227
15	4.6	23	87
009931 Shut-off Head:		18 ft (5.5 m)	

009931



SK1643

## CONSULT FACTORY FOR SPECIAL APPLICATIONS

- Electrical alternators for duplex systems available with variable level float switches
  - Minimum recommended basin size  
Simplex - 18"x30"  
Duplex - 30"x36"
  - Standard Automatic - Weight 35.5 lbs. .4 HP
  - High water alarms available
  - Mechanical alternators available for duplex systems
- CAUTION** Maximum temperature of sewage or dewatering must be limited to 130°F (54°C). For over 130°F (54°C) special quotation required.
- |   |                       |
|---|-----------------------|
| For "M" and "D" models, the approximate gallons pumped out per cycle are: |                       |
| <b>Tank Diameter</b>  | <b>Gallons Pumped</b> |
| 18" Simplex   | 8 Gallons             |
| 24" Simplex   | 15 Gallons            |
| 30" Duplex  | 22 Gallons            |
| 36" Duplex  | 33 Gallons            |
| 48" Duplex  | 60 Gallons            |

264 MODELS				CONTROL SELECTION		
Model	Volts	Ph	Mode	Amps	Simplex	Duplex
M264	115	1	Auto	9.4	1	4
N264	115	1	Non	9.4	2 or 3	4
D264	230	1	Auto	4.7	1	4
E264	230	1	Non	4.7	2 or 3	4

### SELECTION GUIDE

- Integral float operated mechanical switch, no external control required.
- For automatic use single piggyback variable level float switch or double piggyback variable level float switch. Refer to FM0477.
- See FM1228 for correct model of simplex control panel.
- See FM0712 for correct model of duplex control panel or FM1663 for a residential alternator system.

**CAUTION**

For information on additional Zoeller products refer to catalog on Piggyback Variable Level Float Switches, FM0477; Electrical Alternator, FM0486; Mechanical Alternator, FM0495; Sump/Sewage Basins, FM0487, and Single Phase Simplex Pump Control, FM1596; Alarm System, FM0732.

All installation of controls, protection devices and wiring should be done by a qualified licensed electrician. All electrical and safety codes should be followed including the most recent National Electric Code (NEC) and the Occupational Safety and Health Act (OSHA).

## RESERVE POWERED DESIGN

For unusual conditions a reserve safety factor is engineered into the design of every Zoeller pump.



**PUMP COMPANY**

MAIL TO: P.O. BOX 16347 • Louisville, KY 40256-0347  
SHIP TO: 3649 Cane Run Road • Louisville, KY 40211-1961  
(502) 778-2731 • 1 (800) 928-PUMP • FAX (502) 774-3624

Your Peace of Mind is Our Top Priority®

visit our web site:  
[www.zoeller.com](http://www.zoeller.com)