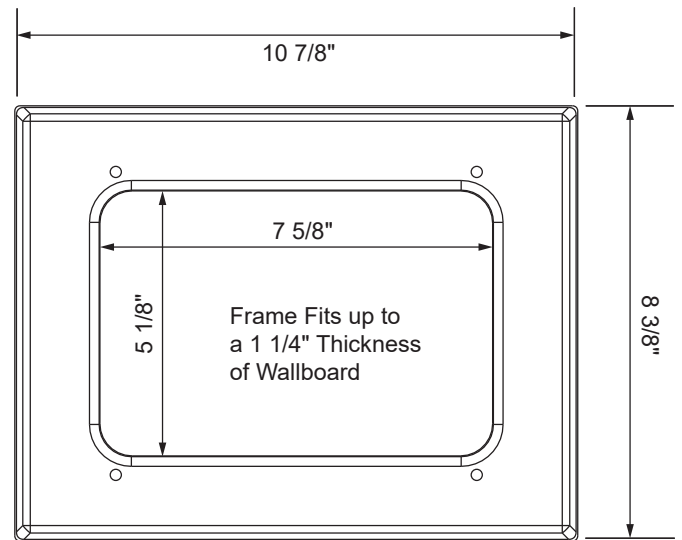
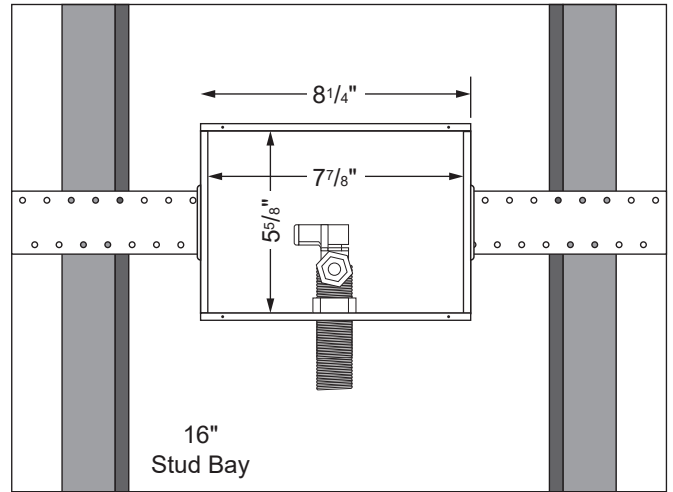
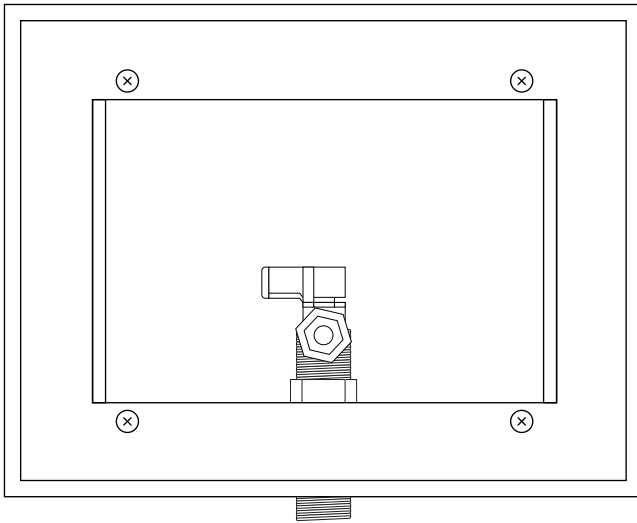




Stainless Steel Ice Maker Box with Lead Free Quarter Turn Sweat Valve



Specifications:

Furnish and install stainless steel ice maker outlet box. Unit shall be Guy Gray product code checked below as manufactured by IPS Corporation.

Box Material:

Stainless Steel 304 Gauge

Valve & Drain Options:

Lead Free Qtr. Turn Valve with 1/2" MIP/Sweat connection furnished. Valves comply with ASME A112.18.1 and NSF61-NSF/ANSI 372

Item #	Product Description	Model #	Quantity
88164	Stainless Steel Ice Maker Box w/Lead Free Qtr. Turn Sweat Valve	SSIB1AB	5

*Frames packed separately from boxes and mounting flanges for protection and safe keeping until finishing stage.



500 Distribution Parkway, Collierville, TN 38017 ▪ Phone: 800-888-8312 ▪ Fax: 901-853-5008 ▪ www.ipscorp.com