

RE/REX-SERIES

Retro-Fit Systems for E/One® Grinder Packages

Liberty Pumps®

A Family and Employee Owned Company

A completely assembled Grinder Replacement Package for E/One® GP200, GP2000 and Extreme Systems

Features

- Liberty Pumps 2 hp Omnivore® grinder pump - available in single-stage or 2-stage
- Fully assembled and ready to drop in place
- IP68 waterproof junction box contains motor contactor and terminal strip
- Includes float switches, piping, and replacement cover
- Sealed 6 pin, quick-connector with 10' cable lead plugs into existing E/One connector. Both old style and new hooded connectors available (see models selection)
- Heavy-duty cast iron anti-siphon check valve
- Alarm float switch works as a redundant "on" float switch. Sounds alarm and activates pump in the event of a main float switch failure
- Stainless-steel piping and discharge elbow is easily adjusted for proper engagement to the receiver
- Original equipment manual override switch remains operable



Available with
LSG or LSGX-Series
Grinders



E/One® is a registered trademark of Environment One Corporation and is not affiliated with Liberty Pumps

Patent: See
www.LibertyPumps.com/patents



innovate. evolve.

Retro-Fit Systems for E/One® Grinder



The RE/REX-Series is engineered as an easy drop-in core replacement for E/One® GP200, GP2000 and Extreme D-Series systems. The newly upgraded design gives you all the power of Liberty Pumps Omnivore® grinder with patented V-Slice® Cutter Technology. Choose from two performance levels – Liberty Pumps LSG single-stage design with a maximum head of 108 feet or the LSGX 2-stage model with a maximum head of 185 feet. Improved features include an easily adjusted goose neck discharge, cam-lock cover system and high-mount junction/control box that elevates it above the potential flood level in the event of a power failure.

E/One® original equipment panels remain fully operational (including the manual override switch) when connected to the Liberty Pumps unit.



High-mount junction/control box
 Mounts to the existing vent pipe higher in the basin's access chamber using 2 stainless-steel hose clamps and mounting brackets.



"REX" models



"RE" models



Sealed 6 pin connectors

Available in two styles. Order "RE" models for older style GP200/GP2000 systems or "REX" models for the newer Extreme D-series hooded connector.



K001630

Adapter harness converts "RE" style connector to "REX" style (sold separately).



Cam-lock cover system

No more lost bolts or unsecured covers. Simply drop the system in place and turn the three cam-locks to "closed" using a 9/16" socket.

Easily adjusted discharge height

Simply slide the discharge up or down for the proper height adjustment and then tighten the 3 compression bolts for a secure connection. 3-Ring gasket for receiver engagement provides a leak-proof seal.



Heavy-duty cast iron anti-siphon check valve



Dual-purpose float switch

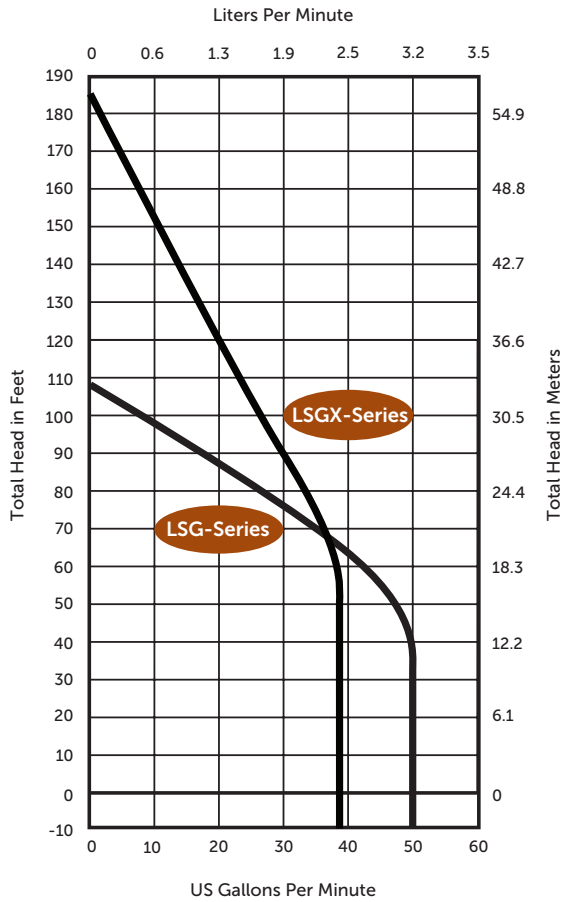
Alarm float switch works as a redundant "on" float switch. Will sound the alarm and activate the pump in the event of a main switch failure.



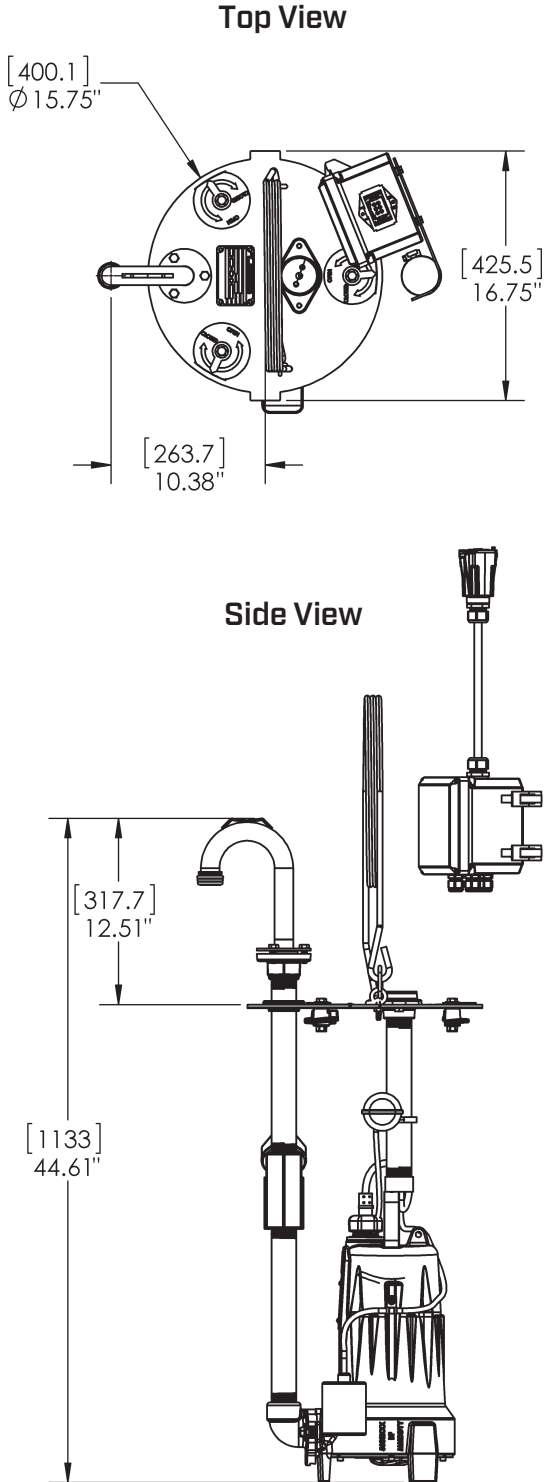
Retro-Fit System for E/One® Grinder Packages

Performance Curve

60 Hz, 3450 RPM



Dimensional Data



Models

MODEL	E/One® Model	HP	VOLTS	AMPS	HZ	WEIGHT
Single-Stage LSG-Series						
LSG202-RE	Fits GP200 and GP2000	2	208-230	15	60	117 lbs
LSG202-REX	Fits Extreme D-Series	2	208-230	15	60	117 lbs
2-Stage LSGX-Series						
LSGX202-RE	Fits GP200 and GP2000	2	208-230	15	60	123 lbs
LSGX202-REX	Fits Extreme D-Series	2	208-230	15	60	123 lbs

Accessories

MODEL	DESCRIPTION
K001630	Adapter harness. Coverts 6 pin RE-style connector to REX style.

See LSG or LSGX-Series grinder literature for complete pump specifications.

Single-stage LSG units may not meet pressure requirements in all applications; use of 2-stage LSGX may be required. Consult factory for proper sizing and technical assistance where forced pressure mains or multiple homes tie into a common waste line.

E/One® is a registered trademark of Environment One Corporation and is not affiliated with Liberty Pumps