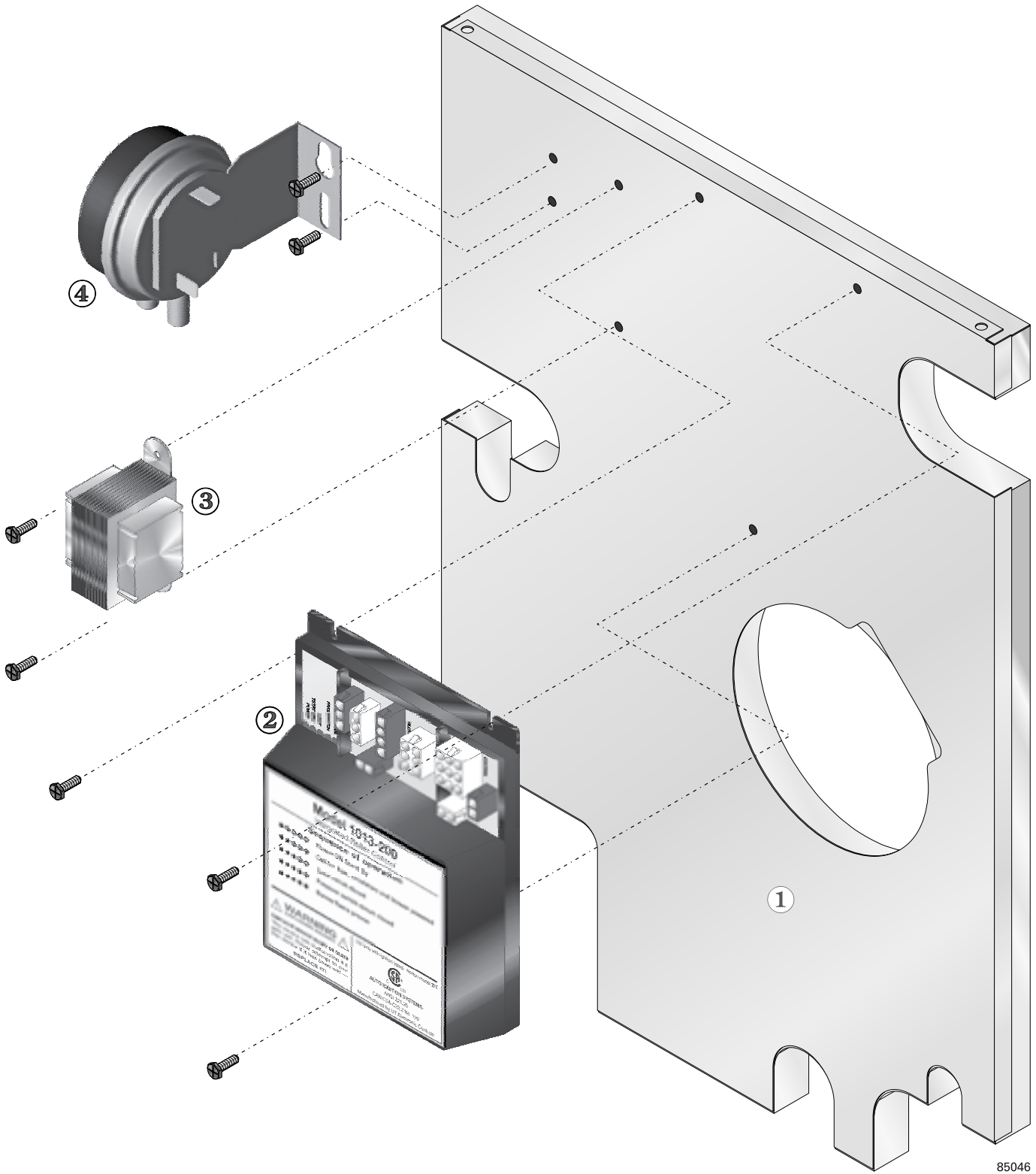


# GV90+ Series 1 & 2 Controls



GAS

85046

## GV90+ Series 1 & 2 Control Parts

GV90+ Series 1		
Fig. No.	Part No.	Description
2	382-200-448	Integrated Boiler Control Assembly (Includes: IBC and Screws)
3	511-842-370	Transformer
N/S	591-391-963	Wiring harness, IBC To Junction Box
	591-391-964	Wiring harness, IBC To Controls (Not Shown)
GV90+ Series 2		
Fig. No.	Part No.	Description
N/S	381-330-035	LWCO Function Disable Kit - (Includes Temperature Sensor, Sensor Harness, Label, And Instructions) - <b>CP Range - CP7481990 - CP7538624</b>
2	381-330-025	Integrated Boiler Control - (Includes, Sensor Harness) - <b>Use On Boilers With A CP Range Less Than CP7481990</b>
	381-330-023	Integrated Boiler Control - <b>Use only If 381-330-035 Kit Was Already Installed, And CP Range Is Greater Than CP7538624</b>
3	381-356-578	Transformer - 120/24 Volt, 40 VA
N/S	591-391-984	Wire Harness, Power, J Box To Module
	591-392-005	Thermostat Harness
	591-391-985	Controls To Module Harness With Rectifier Plug
	591-392-035	Temperature Sensor Wire Harness
	591-391-983	Wiring Harness - Blower To Control Module
GV90+ Series 1 & 2 Common Parts		
1	382-200-727	Interior Panel
4	382-200-723	Air Pressure Switch 1.00 " W.C. Less Than 5,500 Feet Elevation
	382-200-728	Air Pressure Switch .70" W.C. Greater Than 5,500 Feet Elevation
N/S	591-391-819	Wiring Harness, Ignitor To Control Harness
	591-391-824	Wiring Harness, Circulators
	383-500-205	On/Off Switch Kit
GV90+ Series 2 Only Control Parts		
N/S	381-356-586	Outdoor Temperature Kit - (Includes Sensor, Wire Harness, and Instructions)
	381-356-585	Zone Interface Harness Kit - (Includes Wire Harness, Cable Clamp, and Instructions)
	383-500-125	Outdoor Sensor Kit - (Includes Sensor and Mounting Hardware) 30/50°C, 12 KOhms.