



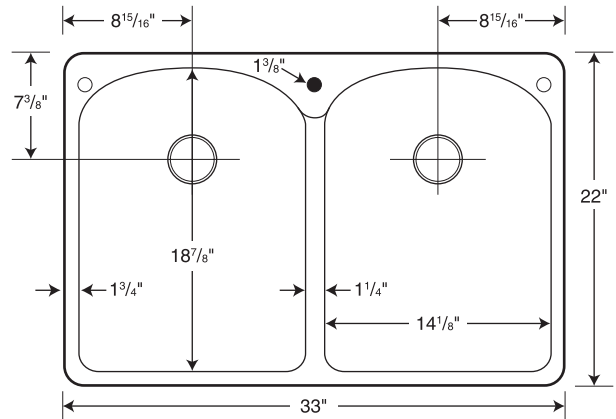
WARRANTY
Limited Lifetime – Residential
Limited 10-year – Commercial

Manufactured from Swanstone solid surface
(See page 2 for detailed information.)

Recommended for high-use traffic areas and commercial surfaces.

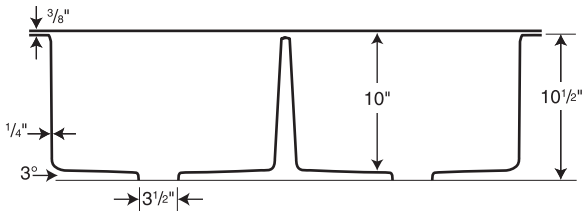
FEATURES

- Two extra deep bowls for enormous workspace.
• Renewable surface will not wear away.
• Hot pots and boiling water will not damage it.
• Highest resistance of impact from heavy objects.
• Heat, stain and scratch resistant for lasting beauty.
• Matching or contrasting countertops available. Contact a Swan representative for more information.



○ Drill Points ● Pre-drilled

Capacity: 9 gallons



SPECIFICATIONS

KSLB-3322 Super Double Bowl

Table with 7 columns: Model, Part, Nominal Dimensions, Ship Wt. Lb., Ship FedEx, Carton Dims. In., Cu. Ft. Row 1: KSLB-3322, KSo2233LB, 33 inch W x 22 inch D (838 mm x 559 mm), 38, FedEx, 37 x 25 x 14, 7.50

ACCESSORIES

- CB-LB Wood Cutting Board
• WB-LB and WB-22 Wire Basket
• BR-LBTB Basin Rack

See page 156 for complete listing of all kitchen sink accessories.

STANDARDS AND RATINGS

American National Standard Institute—ANSI Z124.6
International Association of Plumbing and Mechanical Officials (IAPMO)—Listed cUPC listed—Certified to CSA Test Standard B45.5 by IAPMO
Uniform Plumbing Code (UPC)
National Sanitation Foundation—NSF/ANSI 51 Food Equipment Materials

For a complete list of tests and results see the Technical Data Sheet.

SUPPORT DOCUMENTS

Installation instructions available at swanstone.com.

COLORS

(See inside back cover for color sample.)

Solid Colors:

- White (010)
• Bone (037)
• Bisque (018)
• Bright White (137)
• Pearl (138)

- Glacier (121)
• Gray Granite (042)
• Indian Grass (071)
• Night Sky (012)
• Pebble (072)
• Prairie (122)

Aggregate Colors:

- Acorn (123)
• Almond Galaxy (046)
• Arctic Granite (035)
• Baby's Breath (168)
• Barley (091)
• Bermuda Sand (040)
• Black Galaxy (015)
• Canyon (124)
• Caraway Seed (169)
• Cornflower (063)

- Sierra (094)
• Tahiti Desert (050)
• Tahiti Gray (053)
• Tahiti Ivory (059)
• Tahiti Matrix (058)
• Tahiti Sand (051)
• Tahiti Terra (055)
• Tahiti White (011)
• Winter Wheat (060)

MAINTENANCE AND CLEANING INFORMATION

Clean your Swanstone sink by using abrasive cleaners or other similar products. Use of a nylon scouring pad or Mr. Clean Magic Eraser is also recommended. Food-based stains can be removed using a 50-50 mix of bleach and water solution and soaking for 15 minutes. For rust or other mineral stains, rust-removing products are acceptable. Do not use metal scouring pads.