



Buy it for looks. Buy it for life.®

Specifications

There is more than 1 version of this model.
Page down to identify the version you have.

SINK DESCRIPTION

- Manufactured of 20 gauge stainless steel
- Single bowl is 12" x 10" x 5-1/2"
- The sink ledge has two fixture mounting holes, 1-1/4" in diameter located 4" on center
- Has one 2" diameter sealtite recessed drain opening with drop in basket
- Soundshield undercoating maximizes sound deadening and inhibits condensation
- Includes 4904 bar faucet, 2.2 gpm (8.3L/min)
- Made in U.S.A.
- Includes all necessary mounting hardware

CUT OUT DIMENSIONS

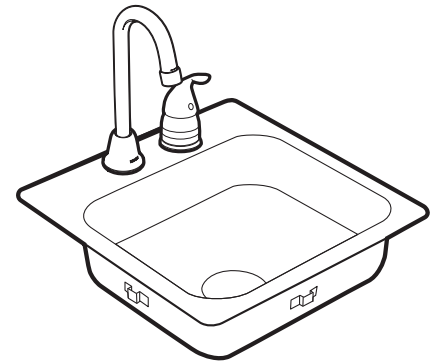
- Cut out dimensions are 14-3/8" x 14-3/8", with a 5/16" corner radius. A tolerance of plus or minus 1/16" is acceptable

STANDARDS

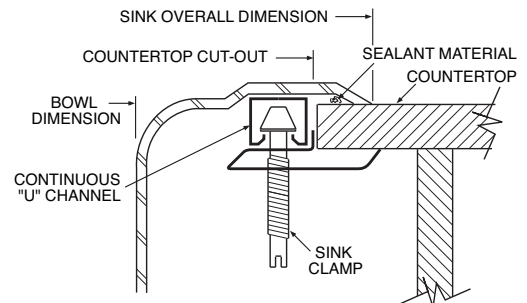
- Third party certified to ASME A112.19.3/CSA B45.4 and all applicable specifications referenced therein
- ADA Suitable for ADA compliant installation

WARRANTY

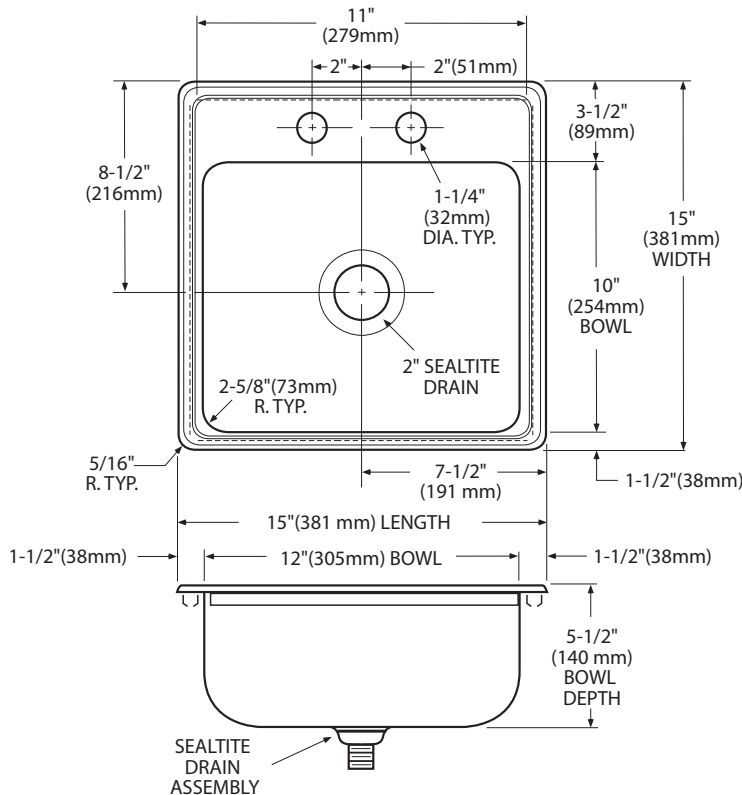
- Warranted for ten years against material or manufacturing defects



CAMELOT®
Single Bowl Drop-In Sink with Faucet
Model: 22240
(K-1515-2-WF)



Installation Detail



CRITICAL DIMENSIONS

(DO NOT SCALE)