

**BATH FAUCET TRIM  
K-T16236**

ADA

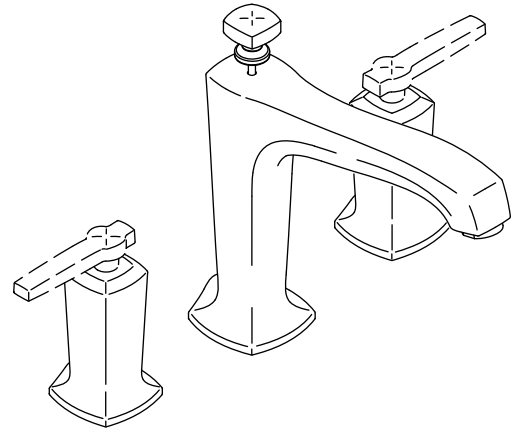
**Features**

- Brass construction
- Bath- or deck-mount
- Variety of handle style options
- 7" (178 mm) spout with slip-fit connection and diverter knob

**Codes/Standards Applicable**

Specified model meets or exceeds the following:

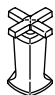
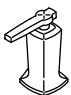
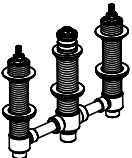
- ASME A112.18.1/CSA B125.1
- ICC/ANSI A117.1
- ADA



**Colors/Finishes**

- CP: Polished Chrome
- Other: Refer to Price Book for additional colors/finishes

**Specified Model**

Model	Description	 ADA	 ADA
K-T16236-3	Faucet with cross handles	<input type="checkbox"/> CP <input type="checkbox"/> Other _____	
K-T16236-4	Faucet with lever handles		<input type="checkbox"/> CP <input type="checkbox"/> Other _____
<b>Required Accessories</b>			
K-438-K	1/2" High-flow ceramic disc valve system with integral diverter	<input type="checkbox"/> NA	
<b>Optional Accessories</b>		<b>Colors/Finishes</b>	
K-419	Handshower	<input type="checkbox"/> CP	<input type="checkbox"/> Other _____
K-424	Deck handshower holder	<input type="checkbox"/> CP	<input type="checkbox"/> Other _____

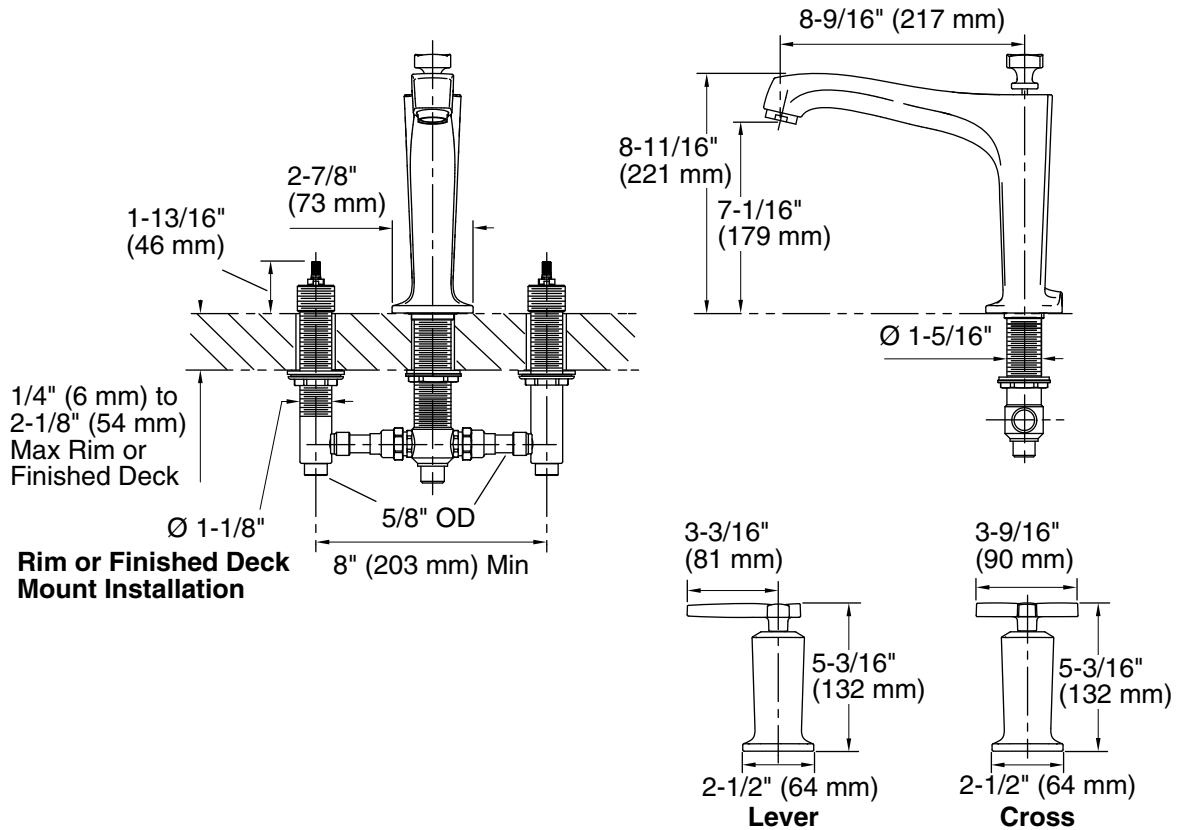
**Product Specification**

Two-handle bath- or deck-mount bath faucet trim shall be of brass construction. Faucet trim shall install to bath or finished deck. Faucet trim shall include a 7" (178 mm) spout with slip-fit connection and diverter knob. Faucet trim shall have a variety of handle style options. Faucet trim shall be Kohler Model K-T16236-\_\_\_\_\_-\_\_\_\_\_- and valve system shall be Kohler Model K-438-K-NA.

# MARGAUX™

## Installation Notes

Install this product according to the installation guide.



## Product Diagram