

Features

- Front and side diffuser, no visible LED's
- Plug-in mirror, saves on install time
- All hardware with security bracket included
- Energy efficient LED lighting: (measurements may vary)

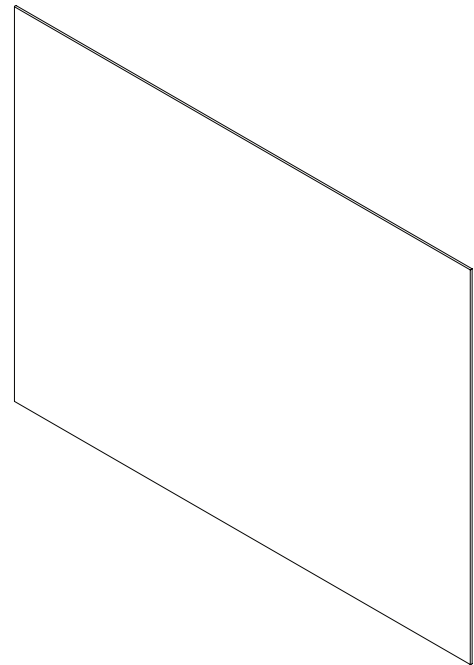
Kelvin	3000**
CRI	90+
Lumens* (Estimated)	2170
R9 Value*	50+
Watt Output - LED with optional defogger on	150w max

* Mirror measured not the raw LED.
Based on 48" x 36" Mirror

** Starting in Fall 2021, Vitality Lighted Mirrors are being enhanced to 3000K CCT from 2700K CCT. Orders will be fulfilled with 3000K based on existing inventory.



ROTATABLE



Construction

- Anodized aluminum back frame
- Quality polished edge mirror
- Power cords installed for easy plugin installation
- Constructed for surface mounting
- Includes installation hardware

Codes/Standards Applicable

Vitality Mirror is UL certified to:

- UL 962
- CSA-C22.2, No. 250.4

Dimensions

Height: 36" (914 mm)
Width: 48" (1219 mm)
Depth: 1-3/4" (45 mm)

Electrical System

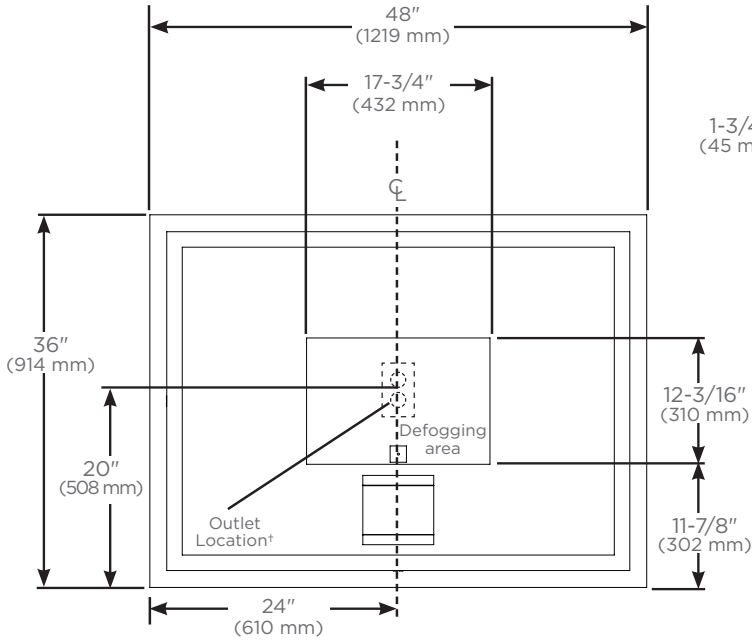
- 120 Vac 60Hz wall outlet as shown in drawing

Options

- Mirror defogging
- Dimmable LED task lighting to 1%
- Compatible with most Triac/Phase-cut dimmers

Model Number Key

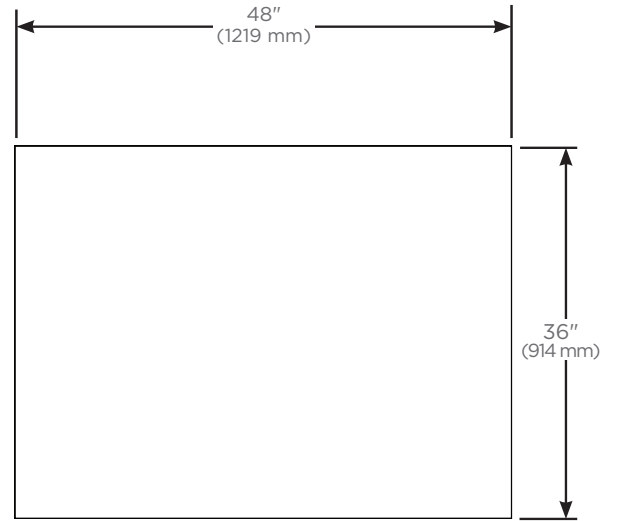
Vitality	Mirror	Width	Height	Shape	Light Pattern	Edge Type	Defogger	Color Temp	Options
Y	M	48	36	R = Rectangle	G = Glow	FP = Flat, Polished	D = Defogger Included	3 = 3000K	P = Flip



Back view for outlet and defogger location

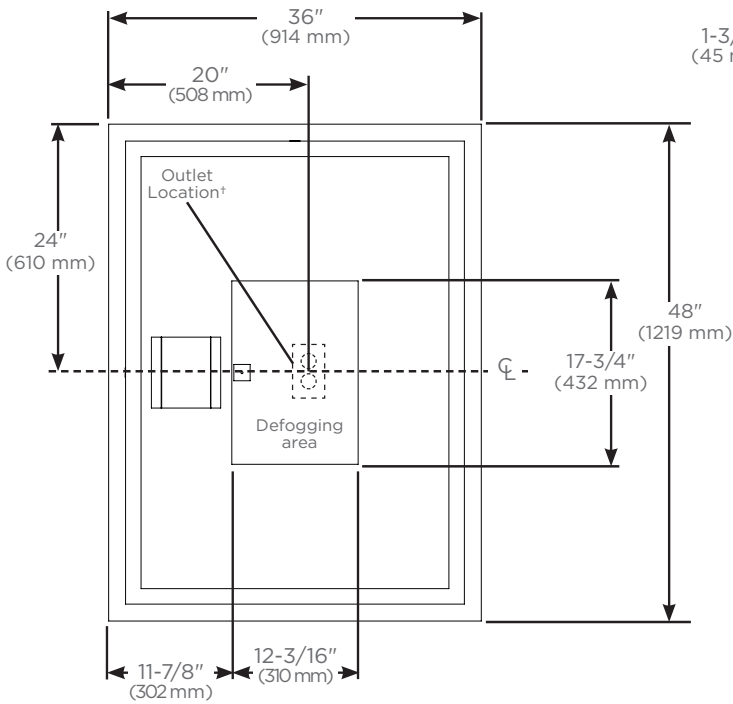


Side view

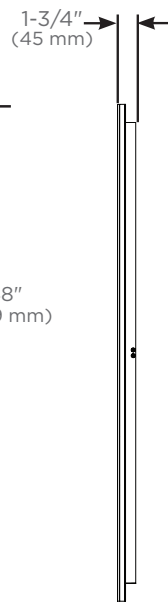


Front view

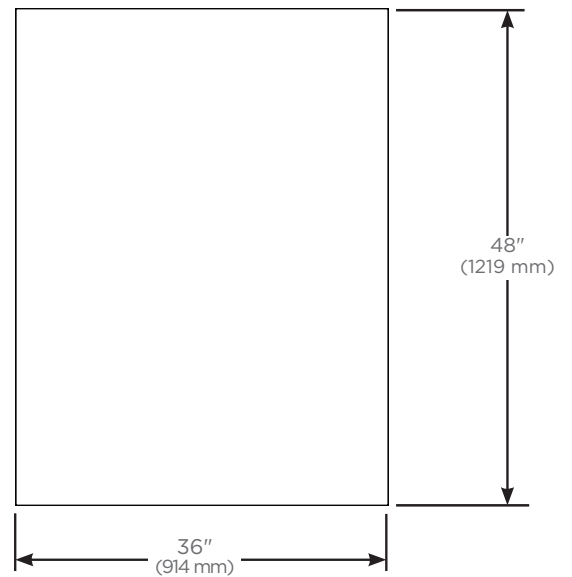
† See instructions for wiring and location



Back view for outlet and defogger location



Side view



Front view

† See instructions for wiring and location