

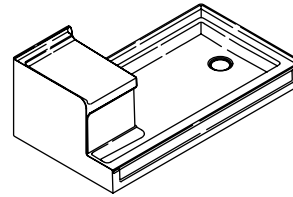
Features

- Acrylic
- Reinforced with fiberglass (FRP)
- One-piece configuration
- Integral seat on left or right
- Drain hole on left or right
- Molded-in floor pattern
- For alcove installations
- 60" (152.4 cm) x 32" (81.3 cm) x 21-1/8" (53.7 cm) [K-1976, K-1977]
- 60" (152.4 cm) x 36" (91.4 cm) x 21-1/8" (53.7 cm) [K-1978, K-1979]

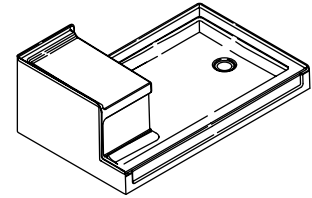
SHOWER RECEPTOR WITH INTEGRAL SEAT

K-1976

ALSO K-1977, K-1978, K-1979



K-1976



K-1978

Codes/Standards Applicable

Specified model meets or exceeds the following:

- ANSI Z124.1.2
- ASTM E162
- ASTM E662
- CSA B45.0
- CSA B45.5

Colors/Finishes

- 0: White
- Other: Refer to Price Book for additional colors/finishes

Accessories

- CP: Polished Chrome
- PB: Vibrant® Polished Brass
- NA: None applicable
- Other: Refer to Price Book for additional colors/finishes

Specified Model

Model	Description	Colors/Finishes	
K-1976	60" (152.4 cm) x 32" (81.3 cm) shower receptor – seat at left, drain at right	<input type="checkbox"/> 0	<input type="checkbox"/> Other____
K-1977	60" (152.4 cm) x 32" (81.3 cm) shower receptor – seat at right, drain at left	<input type="checkbox"/> 0	<input type="checkbox"/> Other____
K-1978	60" (152.4 cm) x 36" (91.4 cm) shower receptor – seat at left, drain at right	<input type="checkbox"/> 0	<input type="checkbox"/> Other____
K-1979	60" (152.4 cm) x 36" (91.4 cm) shower receptor – seat at right, drain at left	<input type="checkbox"/> 0	<input type="checkbox"/> Other____

Required Accessories

K-9132	Shower drain	<input type="checkbox"/> CP	<input type="checkbox"/> PB	<input type="checkbox"/> Other____
--------	--------------	-----------------------------	-----------------------------	------------------------------------

Product Specification

The shower receptor with integral seat shall be made of acrylic reinforced with fiberglass (FRP). Receptor shall be 60" (152.4 cm) in length, 32" (81.3 cm) in width, and 21-1/8" (53.7 cm) in height [K-1976, K-1977] or 60" (152.4 cm) in length, 36" (91.4 cm) in width, and 21-1/8" (53.7 cm) in height [K-1978, K-1979]. Receptor shall feature one-piece configuration, molded-in floor pattern and for alcove installations. Product shall be available with integral seat on left or right. Product shall be available with drain hole on left or right. Product shall be Kohler Model K-____-____.

TRESHAM™

Recommended Accessories

K-1657	7 kW steam generator (for regular install with a standard 8' (2.4 m) ceiling or less*) [K-1976, K-1977]	<input type="checkbox"/> NA
K-1658	9 kW steam generator (for regular install with a standard 8' (2.4 m) ceiling or less*) [K-1978, K-1979]	<input type="checkbox"/> NA
K-1708	7 kW Fast-Response® steam generator (for install with DTV® II with a standard 8' (2.4 m) ceiling or less*) [K-1976, K-1977]	<input type="checkbox"/> NA
K-1733	9 kW Fast-Response steam generator (for install with DTV II with a standard 8' (2.4 m) ceiling or less*) [K-1978, K-1979]	<input type="checkbox"/> NA

*If the ceiling is higher than 8' (2.4 m), we recommend going up one generator size per foot (30 cm) above 8' (2.4 m).

Optional Accessories

Refer to the Fixtures Price Book for shower door selections, glass options, and color information.

Technical Information

Fixture:	
Weight	72 lbs (32.7 kg) [K-1976, K-1977] 79.5 lbs (36.1 kg) [K-1978, K-1979]
Configuration	one-piece
Drain hole	3-3/8" (8.6 cm) D.

Installation Notes

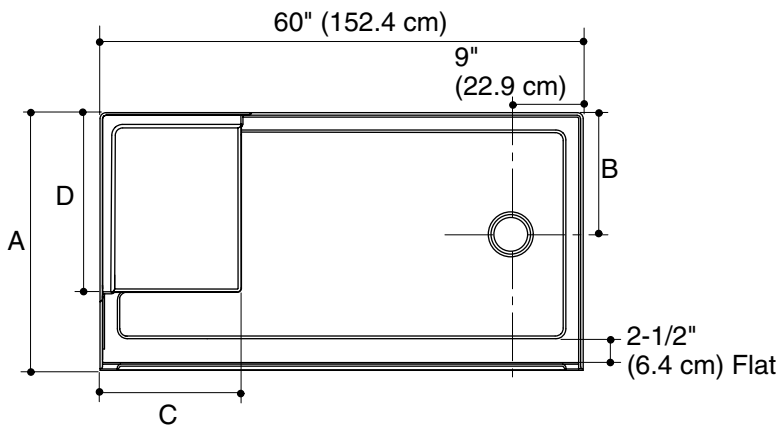
Install this product according to the installation guide.

Floor leveling compound may be required to level the fixture.

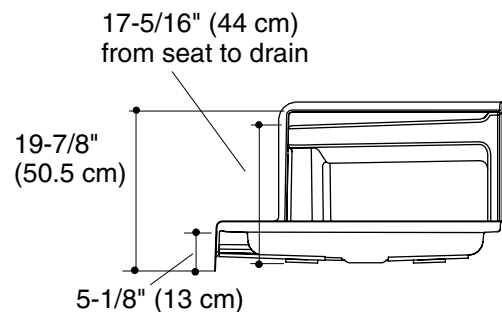
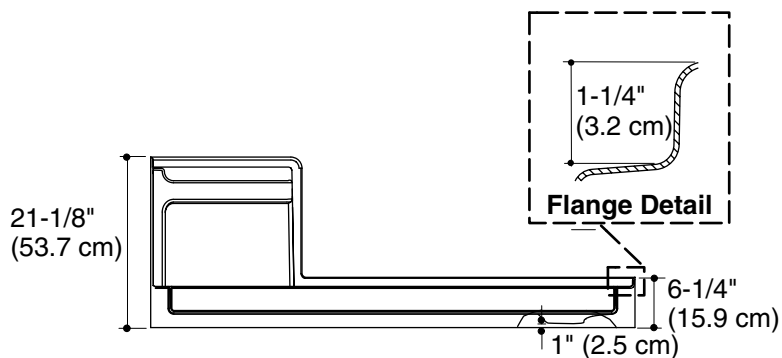
Shimming may be required between the stud frame and the fixture.

The stud opening tolerance is +1/4" (6 mm), -0" (0 mm).

When fire rated construction is specified, dimensions are to the inside of the fire-rated wall.



	K-1976 K-1977	K-1978 K-1979
A	32" (81.3 cm)	36" (91.4 cm)
B	15-1/8" (38.4 cm)	17-1/8" (43.5 cm)
C	17-3/16" (43.7 cm)	17-7/16" (44.3 cm)
D	21-15/16" (55.7 cm)	26-1/2" (67.3 cm)



Product Diagram

TRESHAM™ SHOWER RECEPTOR WITH INTEGRAL SEAT

Page 2 of 2
1161834-4-B

THE BOLD LOOK
OF **KOHLER**®