

ELKAY[®]

SPECIFICATIONS

Lustertone[®] Double Bowl Sink Models LR3322, LRQ3322 and LRAD3322, LRADQ3322 - A.D.A. Compliant Sinks

GENERAL

Highest quality sink formed of #18 (1.2mm) gauge, type 304 (18-8) nickel bearing stainless steel. Top Mount.

DESIGN FEATURES

LR(Q) Bowl Depth: 8-1/8" (206mm).

LRAD(Q) Bowl Depth: 4" (102mm), 4-1/2" (114mm), 5" (127mm), 5-1/2" (140mm), 6" (152mm), or 6-1/2" (165mm).

Coved Corners: 1-3/4" (44mm) vertical and horizontal radius.

Bowl Recess: 3/8" (10mm) drop ledge with a raised faucet deck.

Finish: Exposed surfaces are hand blended to a lustrous highlighted satin finish.

Underside: LR(Q)3322 is fully protected by Sound Guard[®] undercoating to dampen sound and prevent condensation.

LRAD(Q)3322 is fully undercoated to dampen sound and reduce condensation.

OTHER

LR(Q)3322 Drain Openings: 3-1/2" (89mm) and centered in bowls as illustrated.

LRAD(Q)3322 Drain Openings: 3-1/2" (89mm) and located centered left-to-right and off-center front-to-back as illustrated.

NOTE: Unless otherwise specified, sink is furnished with 4 faucet holes as shown.

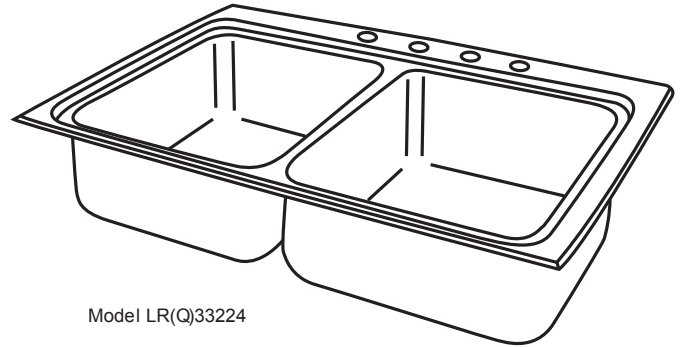
OPTIONAL ACCESSORIES

Rinsing Baskets: LKWRB1316SS or LKWERBSS.

Utensil Caddy for Rinsing Basket: LKWUCSS.

Bottom Grids: LKWBG1316SS for LR(Q)3322, LKWOBG1316SS for LRAD(Q)3322.

Cutting Boards: CB1613, CB1713, CBR1316, or CBS1316.



Model LR(Q)33224



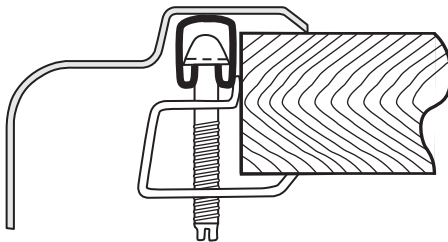
The LRAD3322 and LRADQ3322 model sinks are compliant to ADA and ANSI/ICC A117.1 accessibility requirements when installed according to the requirements outlined in these standards.

Sink complies with ASME A112.19.3/ CSA B45.4

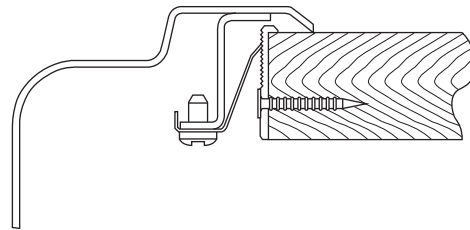


Sinks are listed by IAPMO[®] as meeting the applicable requirements of the Uniform Plumbing Code[®], International Plumbing Code[®], and National Plumbing Code of Canada.

U-Channel Type Mounting System



Quick-Clip[®] Mounting System



SEE OTHER SIDE FOR PRODUCT DIMENSIONS.

In keeping with our policy of continuing product improvement, Elkay reserves the right to change product specifications without notice. Please visit elkay.com for the most current version of Elkay product specification sheets.

This specification describes an Elkay product with design, quality, and functional benefits to the user. When making a comparison of other producers' offerings, be certain these features are not overlooked.

Lustertone® Double Bowl Sink
Models LR3322, LRQ3322 and LRAD3322,
LRADQ3322 - A.D.A. Compliant Sinks

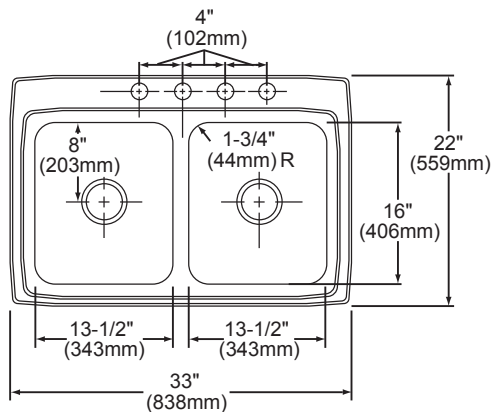
ELKAY®
SPECIFICATIONS

SINK DIMENSIONS*

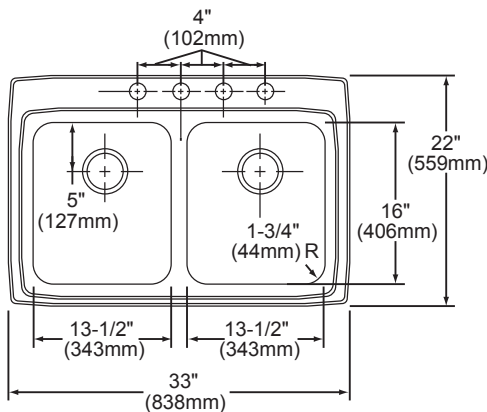
| U-Channel Model Number | Quick-Clip® Model Number | Overall | | Inside Bowl | | | Cutout in Countertop (1 1/2" [38mm] Radius Corners) | | No. of 1 1/2" (38mm) Dia. Faucet Holes 4" (102mm) Center | 3 1/2" (89mm) Drain" Opening (see above for details) | Minimum Cabinet Size |
|------------------------|--------------------------|---------------|---------------|-------------------|---------------|------------------|---|-------------------|--|--|----------------------|
| | | L | W | L | W | D | L | W | | | |
| LR3322 | LRQ3322 | 33 (838mm) | 22 (559mm) | 13 1/2 (343mm) | 16 (406mm) | 8 1/8 (206mm) | 32 3/8 (822mm) | 21 3/8 (543mm) | 1, 2, MR2, 3, 4 or 5 | Centered | 36 (914mm) |
| LRAD3322 | LRADQ3322 | 33 (838mm) | 22 (559mm) | 13 1/2 (343mm) | 16 (406mm) | ** | 32 3/8 (822mm) | 21 3/8 (543mm) | 1, 2, MR2, 3, 4 or 5 | Off-Centered | 36 (914mm) |

*Length is left to right. Width is front to back.

**Available in 4" (102mm), 4-1/2" (114mm), 5" (127mm), 5-1/2" (140mm), 6" (152mm), and 6-1/2" (165mm) depths. Please consult your sales representative for other depths or modifications.



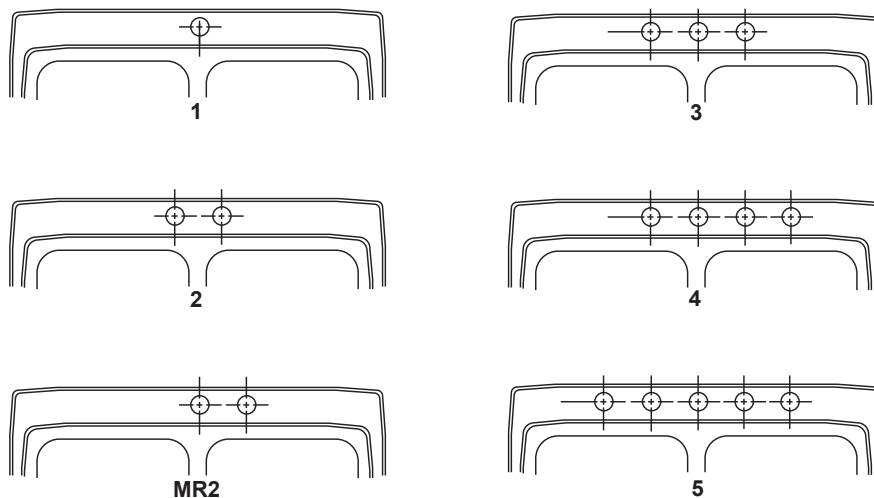
Model LR(Q)33224 Illustrated



Model LRAD(Q)3322554 Illustrated

Hole Drilling Configurations

1-1/2" (32mm) Diameter Faucet Holes on 4" (102mm) Centers



In keeping with our policy of continuing product improvement, Elkay reserves the right to change product specifications without notice. Please visit elkay.com for the most current version of Elkay product specification sheets.

This specification describes an Elkay product with design, quality, and functional benefits to the user. When making a comparison of other producers' offerings, be certain these features are not overlooked.