

# CLASS 150 BLACK & GALVANIZED MALLEABLE IRON PIPE FITTINGS

## MATERIAL SPECIFICATIONS:

- ANSI/ASTM A197 Cupola Malleable Iron Castings (Standard Specification for Cupola Malleable Iron)
- ASTM A153 Zinc Coating (Standard Specification for Zinc Coating (Hot-Dip) on Iron and Steel Hardware)
- Rated at 150 PSI for saturated steam



## DIMENSIONAL SPECIFICATIONS:

- ANSI/ASME B16.3 Threaded Fittings (Standard Specification for Malleable Iron Threaded Fittings: Classes 150 and 300)
- ANSI/ASME B16.14 Threaded Plugs, Bushings & Locknuts (Standard Specification for Ferrous Pipe Plugs, Bushings, and Locknuts with Pipe Threads)
- ANSI/ASME B16.39 Threaded Unions (Standard Specification for Malleable Iron Threaded Pipe Unions: Classes 150, 250, and 300)



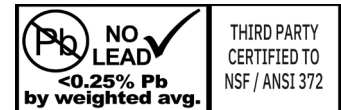
## THREAD SPECIFICATIONS:

- ANSI/ASME B1.20.1 Pipe Threads (Standard Specification for Pipe Threads, General Purpose, Inch)



## CERTIFICATIONS:

- UL Manufactured
- FM Standard 1920 (Approval Standard for Pipe Couplings and Fittings for Aboveground Fire Protection Systems)
- NSF/ANSI 61 Certified (Drinking Water System Components - Health Effects)\*
- NSF/ANSI 372 Certified (Drinking Water System Components - Lead Content)\*
- CRNs are available



\* FOR GALVANIZED SERIES ONLY



ANSI/ASME B16.3 Pressure-Temperature Ratings for Malleable Iron Threaded Fittings - Class 150			
Temperature		Working Pressure	
°C	°F	PSI	kPa
-28.9 to 65.5	-20 to 150	300	2068
93	200	265	1827
121	250	225	1551
148	300	185	1275
176	350	150**	1034

Material List	
Name	Percent of Composition
Cupola Malleable Iron	
Iron (Fe)	≥ 94.0
Carbon (C)	2.9 - 3.1
Silicone (Si)	1.35 - 1.6
Manganese (Mn)	0.4 - 0.6
Phosphorus (P)	< 0.1
Sulfur (S)	< 0.2

\*\*Permissible for service temperature up to 366 °F (185.5 °C), reflecting the temperature of saturated steam at 150 PSIG (10.34 bar).

1. Ratings are independent of the contained fluid and are maximum non-shock pressures at the tabulated temperatures. Intermediate ratings may be obtained by interpolation.
2. The temperature shown for the corresponding pressure rating shall be the material temperature of the pressure retaining structure. It may be assumed that the material temperature is the same as the fluid temperature.
3. Piping loads, stresses, and moments are not taken into account.



25 Whaley Avenue, PO Box 310, Milverton, ON CANADA N0K 1M0  
Tel: 800-561-3164

[boshart.com](http://boshart.com) ♦ [blog.boshart.com](http://blog.boshart.com)

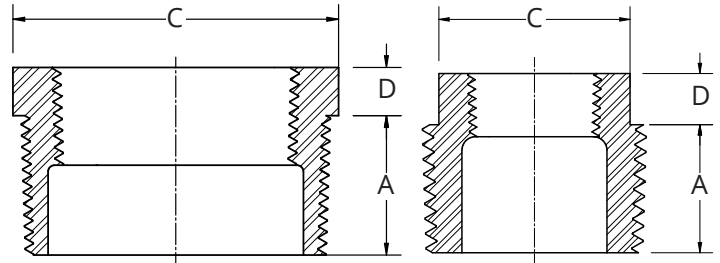
# CLASS 150 BLACK & GALVANIZED MALLEABLE IRON FITTINGS

## Bushing - MPT x FPT



Outside Head

Inside Head



† Inside Head

Black	Galvanized	Size	A		D		C	
			in	mm	in	mm	in	mm
2-BLB-0201	2-GB-0201	1/4" x 1/8"	0.52	13.2	0.15	3.8	0.64	16.3
2-BLB-0301	2-GB-0301	3/8" x 1/8"	0.48	12.2	0.16	4.1	0.85	21.6
2-BLB-0302	2-GB-0302	3/8" x 1/4"	0.48	12.2	0.16	4.1	0.84	21.4
2-BLB-0501	2-GB-0501	1/2" x 1/8"	0.65	16.4	0.19	4.8	1.03	26.2
2-BLB-0502	2-GB-0502	1/2" x 1/4"	0.56	14.2	0.19	4.8	1.03	26.2
2-BLB-0503	2-GB-0503	1/2" x 3/8"	0.56	14.2	0.19	4.8	1.03	26.2
2-BLB-0701	2-GB-0701	3/4" x 1/8"	0.63	16.0	0.22	5.6	1.15	29.2
2-BLB-0702	2-GB-0702	3/4" x 1/4"	0.63	16.0	0.22	5.6	1.15	29.2
2-BLB-0703	2-GB-0703	3/4" x 3/8"	0.63	16.0	0.22	5.6	1.15	29.2
2-BLB-0705	2-GB-0705	3/4" x 1/2"	0.71	18.0	0.22	5.6	1.15	29.2
2-BLB-1001 †	2-GB-1001 †	1" x 1/8"	0.75	19.1	0.38	9.6	1.12	28.5
2-BLB-1002 †	2-GB-1002 †	1" x 1/4"	0.75	19.1	0.38	9.6	1.12	28.5
2-BLB-1003 †	2-GB-1003 †	1" x 3/8"	0.75	19.1	0.38	9.6	1.12	28.5
2-BLB-1005	2-GB-1005	1" x 1/2"	0.85	21.6	0.25	6.4	1.42	36.1
2-BLB-1007	2-GB-1007	1" x 3/4"	0.85	21.6	0.25	6.4	1.42	36.1
2-BLB-1202 †	2-GB-1202 †	1-1/4" x 1/4"	0.90	22.8	0.34	8.6	1.12	28.5
2-BLB-1203 †	2-GB-1203 †	1-1/4" x 3/8"	0.90	22.8	0.34	8.6	1.12	28.5
2-BLB-1205 †	2-GB-1205 †	1-1/4" x 1/2"	0.90	22.8	0.34	8.6	1.24	31.5
2-BLB-1207	2-GB-1207	1-1/4" x 3/4"	0.80	20.3	0.28	7.1	1.76	44.7
2-BLB-1210	2-GB-1210	1-1/4" x 1"	0.80	20.3	0.28	7.1	1.76	44.7
2-BLB-1501 †	N/A	1-1/2" x 1/8"	0.93	23.6	0.37	9.4	1.12	28.5
2-BLB-1502 †	2-GB-1502 †	1-1/2" x 1/4"	0.93	23.6	0.37	9.4	1.12	28.5
2-BLB-1503 †	2-GB-1503 †	1-1/2" x 3/8"	0.93	23.6	0.37	9.4	1.12	28.5
2-BLB-1505 †	2-GB-1505 †	1-1/2" x 1/2"	0.93	23.6	0.37	9.4	1.34	34.0
2-BLB-1507 †	2-GB-1507 †	1-1/2" x 3/4"	0.93	23.6	0.37	9.4	1.44	36.5
2-BLB-1510	2-GB-1510	1-1/2" x 1"	0.92	23.3	0.31	7.9	2.00	50.8
2-BLB-1512	2-GB-1512	1-1/2" x 1-1/4"	0.92	23.3	0.31	7.9	2.00	50.8



25 Whaley Avenue, PO Box 310, Milverton, ON CANADA N0K 1M0  
Tel: 800-561-3164

[boshart.com](http://boshart.com) ♦ [blog.boshart.com](http://blog.boshart.com)

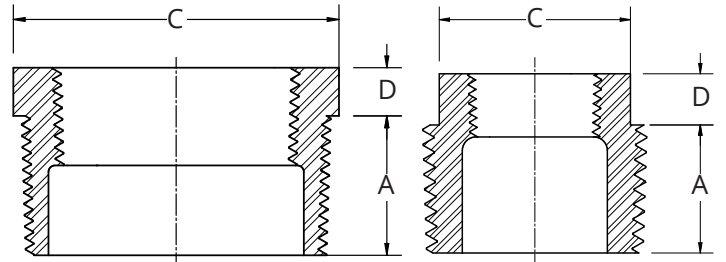
# CLASS 150 BLACK & GALVANIZED MALLEABLE IRON FITTINGS

## Bushing - MPT x FPT



Outside Head

Inside Head



† Inside Head

Black	Galvanized	Size	A		D		C	
			in	mm	in	mm	in	mm
2-BLB-2002 †	2-GB-2002 †	2" x 1/4"	0.86	21.8	0.42	10.6	1.12	28.5
2-BLB-2003 †	2-GB-2003 †	2" x 3/8"	0.88	22.4	0.39	10.0	1.12	28.5
2-BLB-2005 †	2-GB-2005 †	2" x 1/2"	0.98	24.9	0.41	10.4	1.34	34.0
2-BLB-2007 †	2-GB-2007 †	2" x 3/4"	0.98	24.9	0.41	10.4	1.63	41.4
2-BLB-2010 †	2-GB-2010 †	2" x 1"	0.98	24.9	0.41	10.4	1.77	45.0
2-BLB-2012	2-GB-2012	2" x 1-1/4"	1.06	27.0	0.43	11.0	2.48	63.0
2-BLB-2015	2-GB-2015	2" x 1-1/2"	1.06	27.0	0.43	11.0	2.48	63.0
2-BLB-2505 †	2-GB-2505 †	2-1/2" x 1/2"	1.07	27.2	0.44	11.2	1.34	34.0
2-BLB-2507 †	2-GB-2507 †	2-1/2" x 3/4"	1.07	27.2	0.44	11.2	1.63	41.4
2-BLB-2510 †	2-GB-2510 †	2-1/2" x 1"	1.07	27.2	0.44	11.2	1.95	49.5
2-BLB-2512 †	2-GB-2512 †	2-1/2" x 1-1/4"	1.07	27.2	0.44	11.2	2.39	60.7
2-BLB-2515	2-GB-2515	2-1/2" x 1-1/2"	1.07	27.2	0.44	11.2	2.98	75.7
2-BLB-2520	2-GB-2520	2-1/2" x 2"	1.17	29.7	0.37	9.4	2.98	75.7
2-BLB-3005 †	2-GB-3005 †	3" x 1/2"	1.13	28.7	0.48	12.2	1.34	34.0
2-BLB-3007 †	N/A	3" x 3/4"	1.13	28.7	0.48	12.2	1.63	41.4
2-BLB-3010 †	2-GB-3010 †	3" x 1"	1.13	28.7	0.48	12.2	1.95	49.5
2-BLB-3012 †	2-GB-3012 †	3" x 1-1/4"	1.13	28.7	0.48	12.2	2.39	60.7
2-BLB-3015 †	2-GB-3015 †	3" x 1-1/2"	1.13	28.7	0.48	12.2	2.68	68.1
2-BLB-3020	2-GB-3020	3" x 2"	1.13	28.7	0.48	12.2	3.86	98.0
2-BLB-3025	2-GB-3025	3" x 2-1/2"	1.13	28.7	0.48	12.2	3.86	98.0
2-BLB-3520 †	N/A	3-1/2" x 2"	1.30	33.0	0.52	13.2	3.28	83.3
2-BLB-3530	N/A	3-1/2" x 3"	1.18	30.0	0.43	10.9	4.62	117.3
2-BLB-4007 †	N/A	4" x 3/4"	1.50	38.0	0.51	13.0	4.76	121.0
2-BLB-4010 †	2-GB-4010 †	4" x 1"	1.22	31.0	0.60	15.2	4.76	121.0
2-BLB-4012 †	2-GB-4012 †	4" x 1-1/4"	1.22	31.0	0.60	15.2	2.39	60.7
2-BLB-4015 †	2-GB-4015 †	4" x 1-1/2"	1.22	31.0	0.60	15.2	2.68	68.1
2-BLB-4020 †	2-GB-4020 †	4" x 2"	1.42	36.0	0.60	15.2	3.28	83.3
2-BLB-4025 †	2-GB-4025 †	4" x 2-1/2"	1.22	31.0	0.60	15.2	3.86	98.1
2-BLB-4030	2-GB-4030	4" x 3"	1.46	37.0	0.55	14.0	4.96	126.0

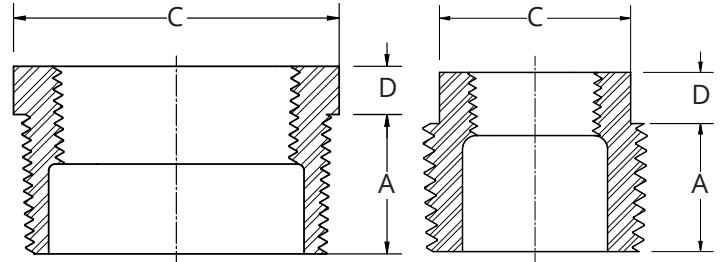


25 Whaley Avenue, PO Box 310, Milverton, ON CANADA N0K 1M0  
Tel: 800-561-3164

[boshart.com](http://boshart.com) ♦ [blog.boshart.com](http://blog.boshart.com)

# CLASS 150 BLACK & GALVANIZED MALLEABLE IRON FITTINGS

## Bushing - MPT x FPT

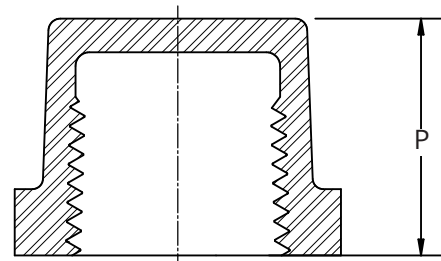
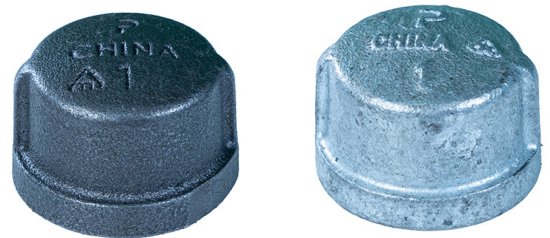


† Inside Head

Black	Galvanized	Size	A		D		C	
			in	mm	in	mm	in	mm
2-BLB-5020 †	N/A	5" x 2"	1.31	33.3	0.60	15.2	3.28	83.3
2-BLB-5030 †	2-GB-5030 †	5" x 3"	1.67	42.5	0.61	15.5	4.62	117.3
2-BLB-5040	2-GB-5040	5" x 4"	1.64	41.7	0.61	15.5	5.78	146.8
2-BLB-6030 †	2-GB-6030 †	6" x 3"	1.40	35.6	0.75	19.1	4.62	117.4
2-BLB-6040 †	2-GB-6040 †	6" x 4"	1.57	40.0	0.75	19.1	5.79	147.1
2-BLB-6050	2-GB-6050	6" x 5"	1.40	35.6	0.75	19.1	7.05	179.1

## Cap - FPT

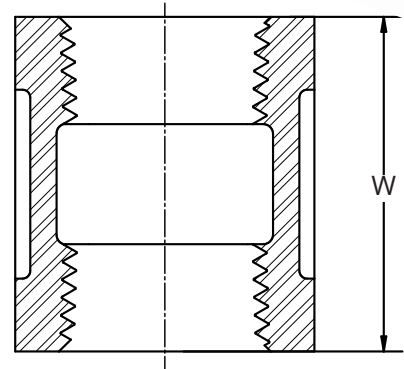
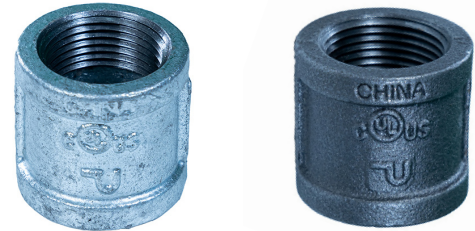
Black	Galvanized	Size	P	
			in	mm
2-BLCA-01	2-GCA-01	1/8"	0.55	14.0
2-BLCA-02	2-GCA-02	1/4"	0.63	16.0
2-BLCA-03	2-GCA-03	3/8"	0.74	18.8
2-BLCA-05	2-GCA-05	1/2"	0.87	22.1
2-BLCA-07	2-GCA-07	3/4"	0.97	24.6
2-BLCA-10	2-GCA-10	1"	1.16	29.5
2-BLCA-12	2-GCA-12	1-1/4"	1.28	32.5
2-BLCA-15	2-GCA-15	1-1/2"	1.33	33.8
2-BLCA-20	2-GCA-20	2"	1.45	36.8
2-BLCA-25	2-GCA-25	2-1/2"	1.70	43.2
2-BLCA-30	2-GCA-30	3"	1.80	45.7
2-BLCA-40	2-GCA-40	4"	2.08	52.8
2-BLCA-50	2-GCA-50	5"	2.32	58.9
2-BLCA-60	2-GCA-60	6"	2.55	64.8



# CLASS 150 BLACK & GALVANIZED MALLEABLE IRON FITTINGS

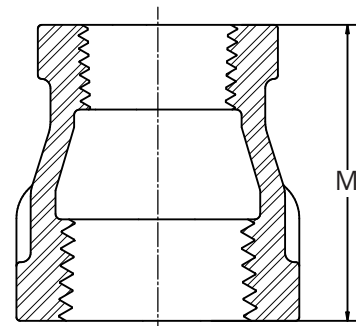
## Coupling - FPT

Black	Galvanized	Size	W	
			in	mm
2-BLC-01	2-GC-01	1/8"	0.96	24.4
2-BLC-02	2-GC-02	1/4"	1.06	26.9
2-BLC-03	2-GC-03	3/8"	1.16	29.5
2-BLC-05	2-GC-05	1/2"	1.34	34.0
2-BLC-07	2-GC-07	3/4"	1.52	38.6
2-BLC-10	2-GC-10	1"	1.67	42.4
2-BLC-12	2-GC-12	1-1/4"	1.93	49.0
2-BLC-15	2-GC-15	1-1/2"	2.15	54.6
2-BLC-20	2-GC-20	2"	2.54	64.6
2-BLC-25	2-GC-25	2-1/2"	2.88	73.2
2-BLC-30	2-GC-30	3"	3.18	80.8
2-BLC-40	2-GC-40	4"	3.69	93.7
2-BLC-50	2-GC-50	5"	3.75	95.3
2-BLC-60	2-GC-60	6"	4.75	120.6



## Reducing Coupling - FPT

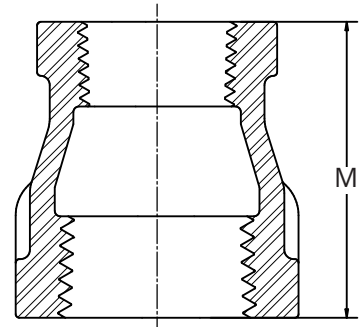
Black	Galvanized	Size	M	
			in	mm
2-BLRC-0201	2-GRC-0201	1/4" x 1/8"	1.00	25.4
2-BLRC-0301	2-GRC-0301	3/8" x 1/8"	1.13	28.7
2-BLRC-0302	2-GRC-0302	3/8" x 1/4"	1.13	28.7
2-BLRC-0501	2-GRC-0501	1/2" x 1/8"	1.25	31.8
2-BLRC-0502	2-GRC-0502	1/2" x 1/4"	1.25	31.8
2-BLRC-0503	2-GRC-0503	1/2" x 3/8"	1.25	31.8
2-BLRC-0701	2-GRC-0701	3/4" x 1/8"	1.44	36.6
2-BLRC-0702	2-GRC-0702	3/4" x 1/4"	1.44	36.6
2-BLRC-0703	2-GRC-0703	3/4" x 3/8"	1.44	36.6
2-BLRC-0705	2-GRC-0705	3/4" x 1/2"	1.44	36.6
2-BLRC-1002	2-GRC-1002	1" x 1/4"	1.69	42.9
2-BLRC-1003	2-GRC-1003	1" x 3/8"	1.69	42.9
2-BLRC-1005	2-GRC-1005	1" x 1/2"	1.69	42.9
2-BLRC-1007	2-GRC-1007	1" x 3/4"	1.69	42.9
2-BLRC-1203	2-GRC-1203	1-1/4" x 3/8"	2.06	52.3
2-BLRC-1205	2-GRC-1205	1-1/4" x 1/2"	2.06	52.3
2-BLRC-1207	2-GRC-1207	1-1/4" x 3/4"	2.06	52.3



# CLASS 150 BLACK & GALVANIZED MALLEABLE IRON FITTINGS

## Reducing Coupling - FPT

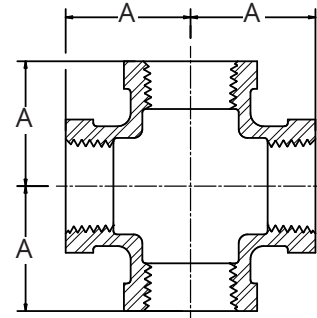
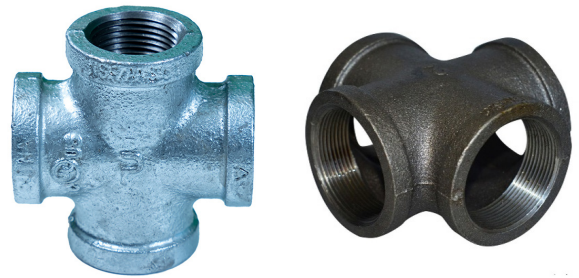
Black	Galvanized	Size	M	
			in	mm
2-BLRC-1210	2-GRC-1210	1-1/4" x 1"	2.06	52.3
2-BLRC-1503	N/A	1-1/2" x 3/8"	2.31	58.7
2-BLRC-1505	2-GRC-1505	1-1/2" x 1/2"	2.31	58.7
2-BLRC-1507	2-GRC-1507	1-1/2" x 3/4"	2.31	58.7
2-BLRC-1510	2-GRC-1510	1-1/2" x 1"	2.31	58.7
2-BLRC-1512	2-GRC-1512	1-1/2" x 1-1/4"	2.31	58.7
2-BLRC-2003	N/A	2" x 3/8"	2.81	71.4
2-BLRC-2005	2-GRC-2005	2" x 1/2"	2.81	71.4
2-BLRC-2007	2-GRC-2007	2" x 3/4"	2.81	71.4
2-BLRC-2010	2-GRC-2010	2" x 1"	2.81	71.4
2-BLRC-2012	2-GRC-2012	2" x 1-1/4"	2.81	71.4
2-BLRC-2015	2-GRC-2015	2" x 1-1/2"	2.81	71.4
N/A	2-GRC-2505	2-1/2" x 1/2"	3.25	82.6
2-BLRC-2507	2-GRC-2507	2-1/2" x 3/4"	3.25	82.6
2-BLRC-2510	2-GRC-2510	2-1/2" x 1"	3.25	82.6
2-BLRC-2512	2-GRC-2512	2-1/2" x 1-1/4"	3.25	82.6
2-BLRC-2515	2-GRC-2515	2-1/2" x 1-1/2"	3.25	82.6
2-BLRC-2520	2-GRC-2520	2-1/2" x 2"	3.25	82.6
2-BLRC-3007	N/A	3" x 3/4"	3.69	93.7
2-BLRC-3010	2-GRC-3010	3" x 1"	3.69	93.7
2-BLRC-3012	2-GRC-3012	3" x 1-1/4"	3.69	93.7
2-BLRC-3015	2-GRC-3015	3" x 1-1/2"	3.69	93.7
2-BLRC-3020	2-GRC-3020	3" x 2"	3.69	93.7
2-BLRC-3025	2-GRC-3025	3" x 2-1/2"	3.69	93.7
2-BLRC-4010	N/A	4" x 1"	4.38	111.3
2-BLRC-4012	N/A	4" x 1-1/4"	4.38	111.3
2-BLRC-4015	2-GRC-4015	4" x 1-1/2"	4.38	111.3
2-BLRC-4020	2-GRC-4020	4" x 2"	4.38	111.3
2-BLRC-4025	2-GRC-4025	4" x 2-1/2"	4.38	111.3
2-BLRC-4030	2-GRC-4030	4" x 3"	4.38	111.3
2-BLRC-5040	2-GRC-5040	5" x 4"	5.08	129.0
2-BLRC-6030	2-GRC-6030	6" x 3"	5.81	147.5
2-BLRC-6040	2-GRC-6040	6" x 4"	5.81	147.5



# CLASS 150 BLACK & GALVANIZED MALLEABLE IRON FITTINGS

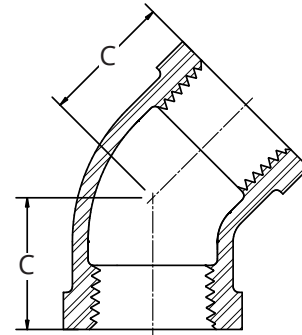
## Cross - FPT

Black	Galvanized	Size	A	
			in	mm
2-BLCR-01	2-GCR-01	1/8"	0.69	17.5
2-BLCR-02	2-GCR-02	1/4"	0.80	20.3
2-BLCR-03	2-GCR-03	3/8"	0.95	24.1
2-BLCR-05	2-GCR-05	1/2"	1.12	28.5
2-BLCR-07	2-GCR-07	3/4"	1.31	33.3
2-BLCR-10	2-GCR-10	1"	1.50	38.1
2-BLCR-12	2-GCR-12	1-1/4"	1.75	44.5
2-BLCR-15	2-GCR-15	1-1/2"	1.94	49.3
2-BLCR-20	2-GCR-20	2"	2.25	57.2
2-BLCR-25	2-GCR-25	2-1/2"	2.70	68.6
2-BLCR-30	2-GCR-30	3"	3.08	78.2
2-BLCR-40	2-GCR-40	4"	3.79	96.3



## 45° Elbow - FPT

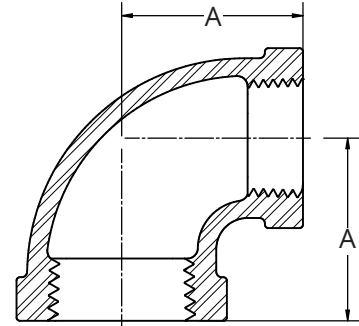
Black	Galvanized	Size	C	
			in	mm
2-BLE4-01	2-GE4-01	1/8"	0.63	16.0
2-BLE4-02	2-GE4-02	1/4"	0.73	18.5
2-BLE4-03	2-GE4-03	3/8"	0.80	20.3
2-BLE4-05	2-GE4-05	1/2"	0.88	22.4
2-BLE4-07	2-GE4-07	3/4"	0.98	24.9
2-BLE4-10	2-GE4-10	1"	1.12	28.5
2-BLE4-12	2-GE4-12	1-1/4"	1.29	32.8
2-BLE4-15	2-GE4-15	1-1/2"	1.43	36.3
2-BLE4-20	2-GE4-20	2"	1.68	42.7
2-BLE4-25	2-GE4-25	2-1/2"	1.95	49.5
2-BLE4-30	2-GE4-30	3"	2.17	55.1
2-BLE4-40	2-GE4-40	4"	2.61	66.3
2-BLE4-60	2-GE4-60	6"	3.46	87.9



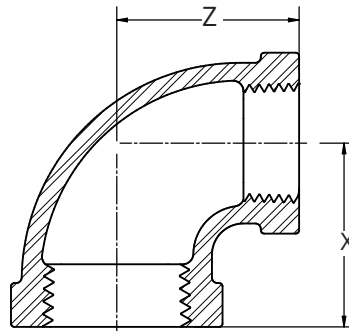
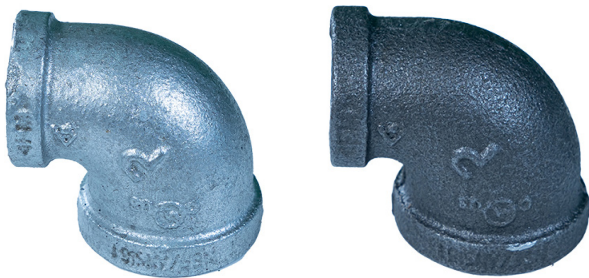
# CLASS 150 BLACK & GALVANIZED MALLEABLE IRON FITTINGS

## 90° Elbow - FPT

Black	Galvanized	Size	A	
			in	mm
2-BLE-01	2-GE-01	1/8"	0.69	17.5
2-BLE-02	2-GE-02	1/4"	0.81	20.6
2-BLE-03	2-GE-03	3/8"	0.95	24.1
2-BLE-05	2-GE-05	1/2"	1.12	28.5
2-BLE-07	2-GE-07	3/4"	1.31	33.3
2-BLE-10	2-GE-10	1"	1.50	38.1
2-BLE-12	2-GE-12	1-1/4"	1.75	44.5
2-BLE-15	2-GE-15	1-1/2"	1.94	49.3
2-BLE-20	2-GE-20	2"	2.25	57.2
2-BLE-25	2-GE-25	2-1/2"	2.70	68.6
2-BLE-30	2-GE-30	3"	3.08	78.2
2-BLE-40	2-GE-40	4"	3.79	96.3
2-BLE-50	2-GE-50	5"	4.50	114.3
2-BLE-60	2-GE-60	6"	5.13	130.3



## Reducing 90° Elbow - FPT



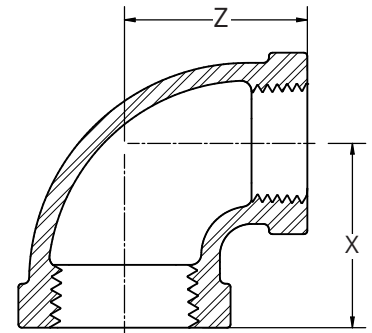
Black	Galvanized	Size	X		Z	
			in	mm	in	mm
2-BLRE-0201	2-GRE-0201	1/4" x 1/8"	0.74	18.8	0.76	19.3
2-BLRE-0301	N/A	3/8" x 1/8"	0.81	20.5	0.85	21.6
2-BLRE-0302	2-GRE-0302	3/8" x 1/4"	0.88	22.4	0.90	22.9
2-BLRE-0501	N/A	1/2" x 1/8"	1.04	26.4	1.03	26.2
2-BLRE-0502	2-GRE-0502	1/2" x 1/4"	0.97	24.6	0.98	24.9
2-BLRE-0503	2-GRE-0503	1/2" x 3/8"	1.04	26.4	1.03	26.2



# CLASS 150 BLACK & GALVANIZED MALLEABLE IRON FITTINGS

## Reducing 90° Elbow - FPT

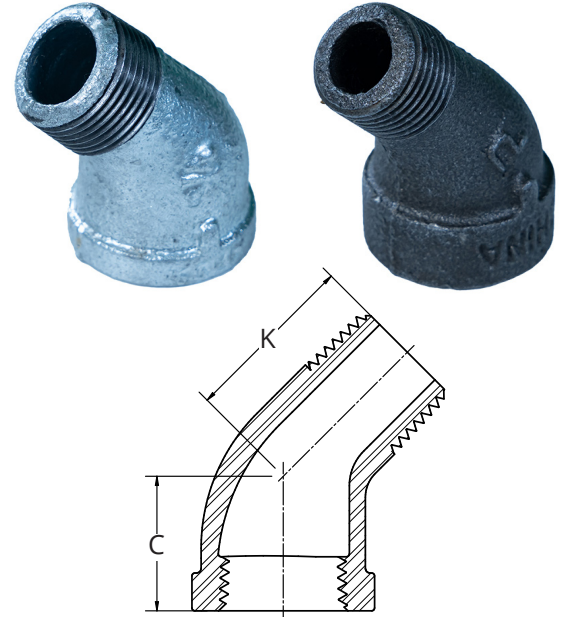
Black	Galvanized	Size	X		Z	
			in	mm	in	mm
2-BLRE-0701	N/A	3/4" x 1/8"	1.03	26.2	1.01	25.7
2-BLRE-0702	2-GRE-0702	3/4" x 1/4"	1.05	26.7	1.08	27.4
2-BLRE-0703	2-GRE-0703	3/4" x 3/8"	1.12	28.5	1.13	28.7
2-BLRE-0705	2-GRE-0705	3/4" x 1/2"	1.20	30.5	1.22	31.0
2-BLRE-1002	N/A	1" x 1/4"	1.18	30.0	1.26	32.0
2-BLRE-1003	2-GRE-1003	1" x 3/8"	1.18	30.0	1.27	32.3
2-BLRE-1005	2-GRE-1005	1" x 1/2"	1.26	32.0	1.36	35.5
2-BLRE-1007	2-GRE-1007	1" x 3/4"	1.37	34.8	1.45	36.8
2-BLRE-1205	2-GRE-1205	1-1/4" x 1/2"	1.34	34.0	1.53	38.9
2-BLRE-1207	2-GRE-1207	1-1/4" x 3/4"	1.45	36.8	1.62	41.2
2-BLRE-1210	2-GRE-1210	1-1/4" x 1"	1.58	40.1	1.67	42.4
2-BLRE-1505	2-GRE-1505	1-1/2" x 1/2"	1.38	35.0	1.65	42.0
2-BLRE-1507	2-GRE-1507	1-1/2" x 3/4"	1.52	38.6	1.75	44.5
2-BLRE-1510	2-GRE-1510	1-1/2" x 1"	1.65	41.9	1.80	45.7
2-BLRE-1512	2-GRE-1512	1-1/2" x 1-1/4"	1.82	46.2	1.88	47.8
2-BLRE-2005	2-GRE-2005	2" x 1/2"	1.48	37.6	1.87	47.5
2-BLRE-2007	2-GRE-2007	2" x 3/4"	1.60	40.6	1.97	50.0
2-BLRE-2010	2-GRE-2010	2" x 1"	1.73	43.9	2.02	51.3
2-BLRE-2012	2-GRE-2012	2" x 1-1/4"	1.90	48.3	2.10	53.3
2-BLRE-2015	2-GRE-2015	2" x 1-1/2"	2.02	51.3	2.16	54.9
2-BLRE-2507	N/A	2-1/2" x 3/4"	1.89	48.0	2.36	60.0
2-BLRE-2510	N/A	2-1/2" x 1"	2.17	55.0	2.48	63.0
2-BLRE-2512	N/A	2-1/2" x 1-1/4"	2.04	51.8	2.45	62.3
2-BLRE-2515	2-GRE-2515	2-1/2" x 1-1/2"	2.16	54.9	2.51	63.8
2-BLRE-2520	2-GRE-2520	2-1/2" x 2"	2.39	60.7	2.60	66.0
2-BLRE-3010	N/A	3" x 1"	1.99	50.5	2.66	67.6
2-BLRE-3015	2-GRE-3015	3" x 1-1/2"	2.28	58.0	2.80	71.0
2-BLRE-3020	2-GRE-3020	3" x 2"	2.52	64.0	2.89	73.4
2-BLRE-3025	2-GRE-3025	3" x 2-1/2"	2.83	71.9	2.99	75.9
2-BLRE-4020	2-GRE-4020	4" x 2"	2.72	69.1	3.44	87.5
2-BLRE-4025	2-GRE-4025	4" x 2-1/2"	3.04	77.2	3.51	89.1
2-BLRE-4030	2-GRE-4030	4" x 3"	3.30	83.8	3.20	81.4



# CLASS 150 BLACK & GALVANIZED MALLEABLE IRON FITTINGS

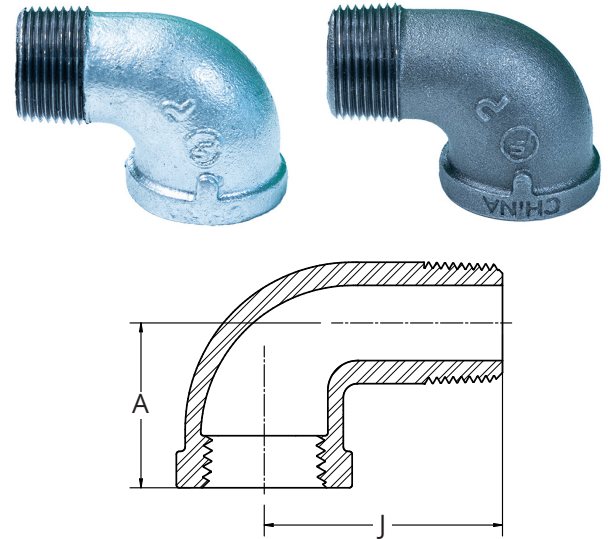
## 45° Street Elbow - FPT x MPT

Black	Galvanized	Size	C		K	
			in	mm	in	mm
2-BLSE4-01	2-GSE4-01	1/8"	0.63	16.0	0.83	21.0
2-BLSE4-02	2-GSE4-02	1/4"	0.73	18.5	0.94	23.9
2-BLSE4-03	2-GSE4-03	3/8"	0.80	20.3	1.03	26.2
2-BLSE4-05	2-GSE4-05	1/2"	0.86	21.9	1.30	33.0
2-BLSE4-07	2-GSE4-07	3/4"	0.96	24.4	1.48	37.5
2-BLSE4-10	2-GSE4-10	1"	1.10	27.9	1.69	43.0
2-BLSE4-12	2-GSE4-12	1-1/4"	1.26	32.1	1.87	47.4
2-BLSE4-15	2-GSE4-15	1-1/2"	1.40	35.6	2.05	52.0
2-BLSE4-20	2-GSE4-20	2"	1.65	41.8	2.38	60.4
2-BLSE4-25	2-GSE4-25	2-1/2"	1.95	49.5	2.72	69.0
2-BLSE4-30	2-GSE4-30	3"	2.17	55.1	3.16	80.2
2-BLSE4-40	2-GSE4-40	4"	2.61	66.3	3.90	99.0



## 90° Street Elbow - FPT x MPT

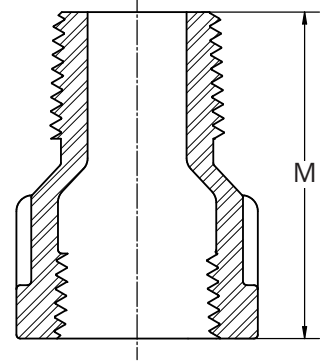
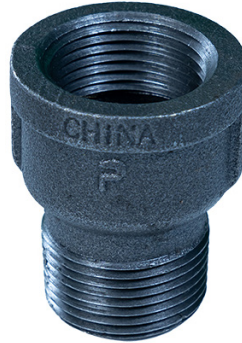
Black	Galvanized	Size	A		J	
			in	mm	in	mm
2-BLSE-01	2-GSE-01	1/8"	0.69	17.5	1.00	25.4
2-BLSE-02	2-GSE-02	1/4"	0.80	20.2	1.17	29.6
2-BLSE-03	2-GSE-03	3/8"	0.95	24.1	1.48	37.6
2-BLSE-05	2-GSE-05	1/2"	1.10	27.9	1.59	40.4
2-BLSE-07	2-GSE-07	3/4"	1.28	32.6	1.85	47.0
2-BLSE-10	2-GSE-10	1"	1.47	37.3	2.10	53.3
2-BLSE-12	2-GSE-12	1-1/4"	1.75	44.5	2.57	65.2
2-BLSE-15	2-GSE-15	1-1/2"	1.90	48.3	2.63	66.9
2-BLSE-20	2-GSE-20	2"	2.21	56.1	3.20	81.4
2-BLSE-25	2-GSE-25	2-1/2"	2.65	67.2	3.78	96.0
2-BLSE-30	2-GSE-30	3"	3.02	76.6	4.42	112.3
2-BLSE-40	2-GSE-40	4"	3.72	94.4	5.57	141.6



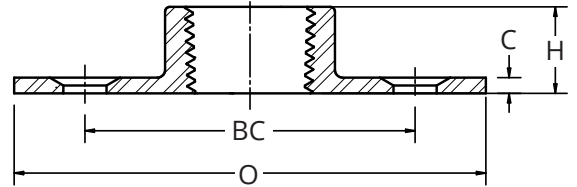
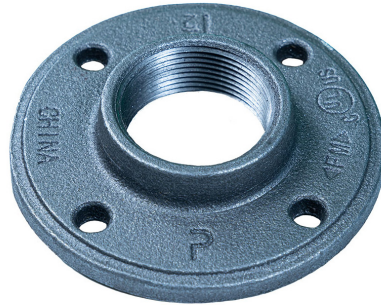
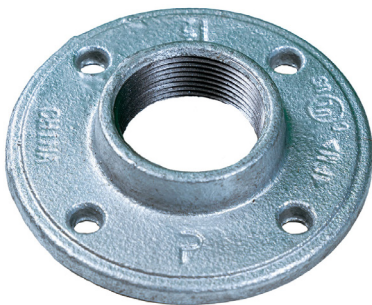
# CLASS 150 BLACK & GALVANIZED MALLEABLE IRON FITTINGS

## Extension Piece - FPT x MPT

Black	Size	M	
		in	mm
2-BLXP-05	1/2"	1.57	40.0
2-BLXP-07	3/4"	1.89	48.0
2-BLXP-10	1"	2.17	55.0
2-BLXP-12	1-1/4"	2.36	60.0
2-BLXP-15	1-1/2"	2.56	65.0
2-BLXP-20	2"	2.76	70.0



## Floor Flange - FPT

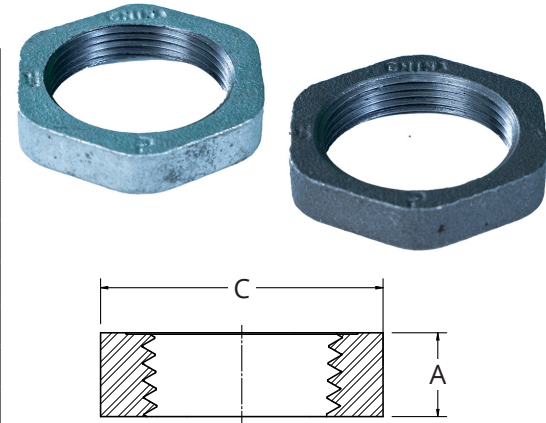


Black	Galvanized	Size	O		BC		C		H	
			in	mm	in	mm	in	mm	in	mm
2-BLFF-05	2-GFF-05	1/2"	3.5	88.9	0.56	14.3	0.28	7.2	0.50	12.7
2-BLFF-07	2-GFF-07	3/4"	3.5	88.9	0.63	15.9	0.31	7.9	0.63	15.9
2-BLFF-10	2-GFF-10	1"	3.8	101.6	0.69	17.5	0.34	8.7	0.69	17.5
2-BLFF-12	2-GFF-12	1-1/4"	4.2	101.6	0.75	19.1	0.34	8.7	0.75	19.1
2-BLFF-15	2-GFF-15	1-1/2"	4.6	114.3	0.87	22.2	0.37	9.5	0.87	22.2
2-BLFF-20	2-GFF-20	2"	5.2	139.7	1.00	25.4	0.41	10.3	1.00	25.4

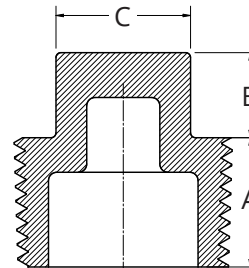
# CLASS 150 BLACK & GALVANIZED MALLEABLE IRON FITTINGS

## Locknut - FPT

Black	Galvanized	Size	A		C	
			in	mm	in	mm
N/A	2-GLN-02	1/8"	0.20	5.0	0.69	17.5
2-BLLN-05	2-GLN-05	1/2"	0.32	8.1	1.18	30.0
2-BLLN-07	2-GLN-07	3/4"	0.35	8.8	1.43	36.3
2-BLLN-10	2-GLN-10	1"	0.39	9.9	1.75	44.5
2-BLLN-12	2-GLN-12	1-1/4"	0.43	10.9	2.10	53.3
2-BLLN-15	2-GLN-15	1-1/2"	0.48	12.1	2.35	59.7
N/A	2-GLN-20	2"	0.54	13.7	2.88	73.2



## Plug - MPT

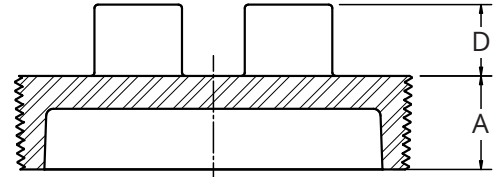
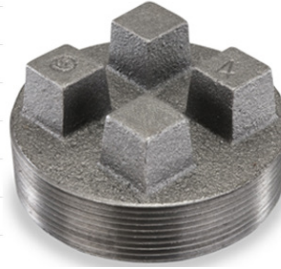


Black	Galvanized	Size	A		B		C	
			in	mm	in	mm	in	mm
2-BLP-01	2-GP-01	1/8"	0.39	9.8	0.24	6.1	0.28	7.1
2-BLP-02	2-GP-02	1/4"	0.46	11.6	0.28	7.1	0.37	9.5
2-BLP-03	2-GP-03	3/8"	0.50	12.6	0.31	8.0	0.43	11.0
2-BLP-05	2-GP-05	1/2"	0.58	14.7	0.38	9.7	0.56	14.3
2-BLP-07	2-GP-07	3/4"	0.65	16.5	0.44	11.2	0.63	15.9
2-BLP-10	2-GP-10	1"	0.75	19.1	0.50	12.7	0.82	20.9
2-BLP-12	2-GP-12	1-1/4"	0.82	20.9	0.56	14.2	0.94	23.8
2-BLP-15	2-GP-15	1-1/2"	0.85	21.7	0.62	15.8	1.13	28.6
2-BLP-20	2-GP-20	2"	0.91	23.2	0.68	17.3	1.31	33.3
2-BLP-25	2-GP-25	2-1/2"	1.26	32.0	0.74	18.8	1.50	38.1
2-BLP-30	2-GP-30	3"	1.16	29.4	0.8	20.3	1.69	42.9
2-BLP-40	2-GP-40	4"	1.22	31.0	1.00	25.4	2.28	58.0
2-BLP-50	2-GP-50	5"	1.31	33.3	1.00	25.4	2.50	63.5
2-BLP-60	2-GP-60	6"	1.40	35.6	1.25	31.8	3.03	77.0

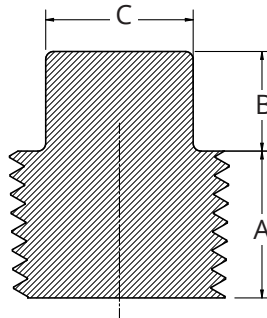
# CLASS 150 BLACK & GALVANIZED MALLEABLE IRON FITTINGS

## Bar Plug - MPT

Black	Size	A		D	
		in	mm	in	mm
2-BLP-50-BAR	5"	1.40	35.5	1.00	25.5



## Solid Plug - MPT



Black	Size	A		B		C	
		in	mm	in	mm	in	mm
2-BLPS-01	1/8"	0.39	9.8	0.24	6.1	0.28	7.1
2-BLPS-02	1/4"	0.46	11.6	0.28	7.1	0.37	9.5
2-BLPS-03	3/8"	0.50	12.6	0.31	8.0	0.43	11.0
2-BLPS-05	1/2"	0.58	14.7	0.38	9.7	0.56	14.3
2-BLPS-07	3/4"	0.65	16.5	0.44	11.2	0.63	15.9
2-BLPS-10	1"	0.75	19.1	0.5	12.7	0.82	20.9
2-BLPS-12	1-1/4"	0.82	20.9	0.56	14.2	0.93	23.6
2-BLPS-15	1-1/2"	0.85	21.7	0.62	15.8	1.13	28.6
2-BLPS-20	2"	0.91	23.2	0.68	17.3	1.31	33.3
2-BLPS-25	2-1/2"	1.26	32.0	0.74	18.8	1.50	38.1
2-BLPS-30	3"	1.16	29.4	0.8	20.3	1.69	42.9
2-BLPS-40	4"	1.22	31.0	1.0	25.4	2.28	58.0

**BOSHART**  
INDUSTRIES

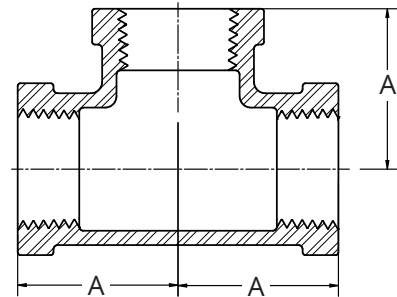
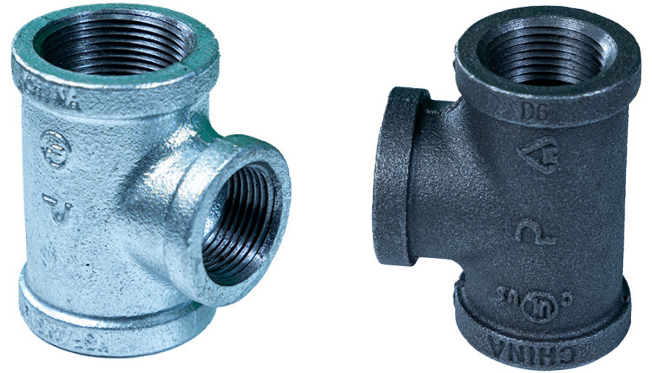
25 Whaley Avenue, PO Box 310, Milverton, ON CANADA N0K 1M0  
Tel: 800-561-3164

[boshart.com](http://boshart.com) ♦ [blog.boshart.com](http://blog.boshart.com)

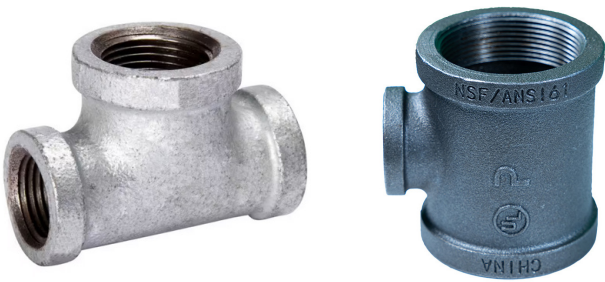
# CLASS 150 BLACK & GALVANIZED MALLEABLE IRON FITTINGS

## Tee - FPT

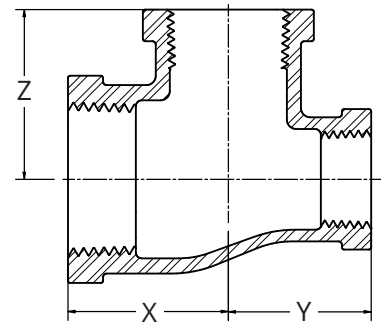
Black	Galvanized	Size	A	
			in	mm
2-BLT-01	2-GT-01	1/8"	0.69	17.5
2-BLT-02	2-GT-02	1/4"	0.81	20.6
2-BLT-03	2-GT-03	3/8"	0.95	24.1
2-BLT-05	2-GT-05	1/2"	1.12	28.5
2-BLT-07	2-GT-07	3/4"	1.31	33.3
2-BLT-10	2-GT-10	1"	1.5	38.1
2-BLT-12	2-GT-12	1-1/4"	1.75	44.5
2-BLT-15	2-GT-15	1-1/2"	1.94	49.3
2-BLT-20	2-GT-20	2"	2.26	57.3
2-BLT-25	2-GT-25	2-1/2"	2.7	68.6
2-BLT-30	2-GT-30	3"	3.08	78.2
2-BLT-40	2-GT-40	4"	3.79	96.3
2-BLT-50	2-GT-50	5"	4.5	114.3
2-BLT-60	2-GT-60	6"	5.13	130.3



## Reducing Tee - FPT



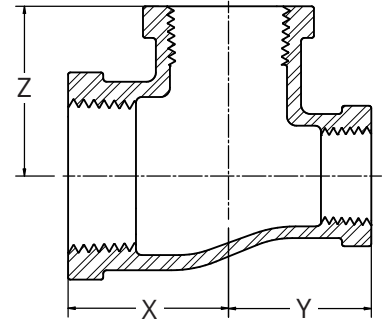
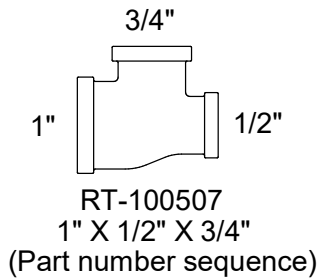
3/4"  
1" 1/2"  
RT-100507  
1" X 1/2" X 3/4"  
(Part number sequence)



Black	Galvanized	Size	X		Y		Z	
			in	mm	in	mm	in	mm
2-BLRT-020201	N/A	1/4" x 1/4" x 1/8"	0.74	18.8	0.74	18.8	0.76	19.3
2-BLRT-030301	N/A	3/8" x 3/8" x 1/8"	0.88	22.4	0.81	20.6	0.85	21.6
2-BLRT-030302	2-GRT-030302	3/8" x 3/8" x 1/4"	0.88	22.4	0.88	22.4	0.90	22.9
2-BLRT-050501	N/A	1/2" x 1/2" x 1/8"	0.86	21.9	0.87	22.0	0.94	24.0
2-BLRT-050502	2-GRT-050502	1/2" x 1/2" x 1/4"	0.97	24.6	0.97	24.6	0.98	24.9
2-BLRT-050503	2-GRT-050503	1/2" x 1/2" x 3/8"	1.04	26.4	1.04	26.4	1.03	26.2
2-BLRT-050507	2-GRT-050507	1/2" x 1/2" x 3/4"	1.22	31.0	1.22	31.0	1.20	30.5
2-BLRT-050510	2-GRT-050510	1/2" x 1/2" x 1"	1.36	34.6	1.36	34.6	1.26	32.0

# CLASS 150 BLACK & GALVANIZED MALLEABLE IRON FITTINGS

## Reducing Tee - FPT



Black	Galvanized	Size	X		Y		Z	
			in	mm	in	mm	in	mm
2-BLRT-070505	2-GRT-070505	3/4" x 1/2" x 1/2"	1.18	29.9	1.18	29.9	1.20	30.4
2-BLRT-070507	2-GRT-070507	3/4" x 1/2" x 3/4"	1.28	32.6	1.20	30.4	1.28	32.6
2-BLRT-070510	N/A	3/4" x 1/2" x 1"	1.42	36.1	1.37	34.8	1.34	34.1
2-BLRT-070702	2-GRT-070702	3/4" x 3/4" x 1/4"	1.05	26.7	1.05	26.7	1.08	27.4
2-BLRT-070703	2-GRT-070703	3/4" x 3/4" x 3/8"	1.12	28.5	1.12	28.5	1.13	28.7
2-BLRT-070705	2-GRT-070705	3/4" x 3/4" x 1/2"	1.20	30.5	1.20	30.5	1.18	30.0
2-BLRT-070710	2-GRT-070710	3/4" x 3/4" x 1"	1.45	36.8	1.45	36.8	1.37	34.8
2-BLRT-100505	2-GRT-100505	1" x 1/2" x 1/2"	1.24	31.4	1.10	27.9	1.37	34.8
2-BLRT-100507	2-GRT-100507	1" x 1/2" x 3/4"	1.34	34.1	1.20	30.4	1.42	36.1
2-BLRT-100510	2-GRT-100510	1" x 1/2" x 1"	1.47	37.3	1.37	34.8	1.47	37.3
2-BLRT-100705	2-GRT-100705	1" x 3/4" x 1/2"	1.24	31.4	1.18	29.9	1.37	34.8
2-BLRT-100707	2-GRT-100707	1" x 3/4" x 3/4"	1.34	34.1	1.28	32.6	1.42	36.1
2-BLRT-100710	2-GRT-100710	1" x 3/4" x 1"	1.50	38.1	1.45	36.8	1.50	38.1
2-BLRT-101002	2-GRT-101002	1" x 1" x 1/4"	1.11	28.2	1.11	28.2	1.22	31.0
2-BLRT-101003	2-GRT-101003	1" x 1" x 3/8"	1.18	30.0	1.18	30.0	1.27	32.3
2-BLRT-101005	2-GRT-101005	1" x 1" x 1/2"	1.26	32.0	1.26	32.0	1.36	35.5
2-BLRT-101007	2-GRT-101007	1" x 1" x 3/4"	1.37	34.8	1.37	34.8	1.45	36.8
2-BLRT-101012	2-GRT-101012	1" x 1" x 1-1/4"	1.67	42.4	1.67	42.4	1.58	40.1
2-BLRT-101015	2-GRT-101015	1" x 1" x 1-1/2"	1.80	45.7	1.80	45.7	1.73	41.9
2-BLRT-101020	N/A	1" x 1" x 2"	1.98	50.3	1.98	50.3	1.89	47.9
2-BLRT-120505	N/A	1-1/4" x 1/2" x 1/2"	1.34	34.0	1.26	32.0	1.53	38.9
2-BLRT-120507	N/A	1-1/4" x 1/2" x 3/4"	1.46	37.0	1.26	32.0	1.56	39.5
2-BLRT-120510	N/A	1-1/4" x 1/2" x 1"	1.58	40.1	1.36	34.5	1.67	42.4
2-BLRT-120512	2-GRT-120512	1-1/4" x 1/2" x 1-1/4"	1.72	43.6	1.50	38.1	1.72	43.6
2-BLRT-120705	2-GRT-120705	1-1/4" x 3/4" x 1/2"	1.42	36.1	1.28	32.6	1.59	40.3
2-BLRT-120707	2-GRT-120707	1-1/4" x 3/4" x 3/4"	1.42	36.1	1.28	32.6	1.59	40.4
2-BLRT-120710	2-GRT-120710	1-1/4" x 3/4" x 1"	1.55	39.3	1.42	36.1	1.63	41.5
2-BLRT-120712	2-GRT-120712	1-1/4" x 3/4" x 1-1/4"	1.75	44.5	1.62	41.2	1.75	44.5

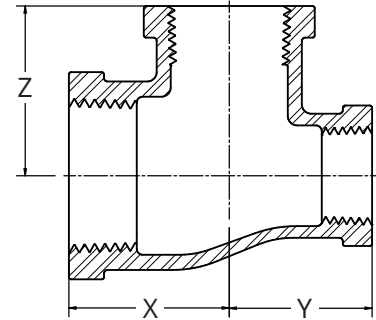
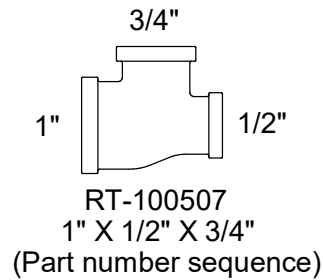


25 Whaley Avenue, PO Box 310, Milverton, ON CANADA N0K 1M0  
Tel: 800-561-3164

[boshart.com](http://boshart.com) ♦ [blog.boshart.com](http://blog.boshart.com)

# CLASS 150 BLACK & GALVANIZED MALLEABLE IRON FITTINGS

## Reducing Tee - FPT

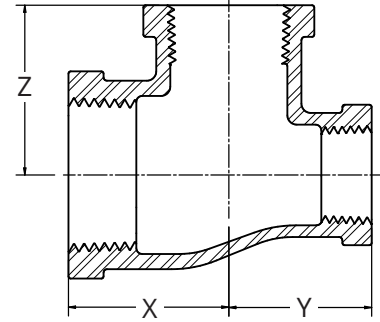
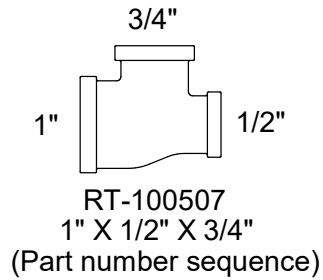
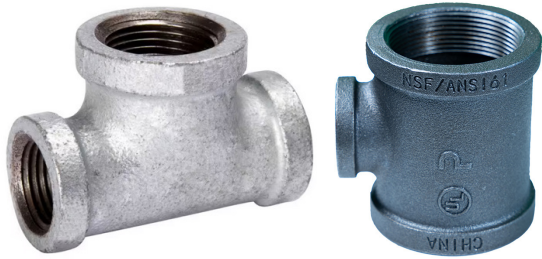


Black	Galvanized	Size	X		Y		Z	
			in	mm	in	mm	in	mm
2-BLRT-121005	2-GRT-121005	1-1/4" x 1" x 1/2"	1.31	33.3	1.24	31.4	1.50	38.1
2-BLRT-121007	2-GRT-121007	1-1/4" x 1" x 3/4"	1.42	36.1	1.34	34.1	1.59	40.4
2-BLRT-121010	2-GRT-121010	1-1/4" x 1" x 1"	1.55	39.3	1.47	37.3	1.63	41.5
2-BLRT-121012	2-GRT-121012	1-1/4" x 1" x 1-1/4"	1.75	44.5	1.67	42.4	1.75	44.5
2-BLRT-121015	N/A	1-1/4" x 1" x 1-1/2"	1.94	49.3	1.67	42.4	1.94	49.3
2-BLRT-121202	N/A	1-1/4" x 1-1/4" x 1/4"	1.18	30.0	1.18	30.0	1.44	36.6
2-BLRT-121203	2-GRT-121203	1-1/4" x 1-1/4" x 3/8"	1.26	32.0	1.26	32.0	1.44	36.6
2-BLRT-121205	2-GRT-121205	1-1/4" x 1-1/4" x 1/2"	1.34	34.0	1.34	34.0	1.45	36.9
2-BLRT-121207	2-GRT-121207	1-1/4" x 1-1/4" x 3/4"	1.45	36.8	1.45	36.8	1.62	41.2
2-BLRT-121210	2-GRT-121210	1-1/4" x 1-1/4" x 1"	1.58	40.1	1.58	40.1	1.66	42.2
2-BLRT-121215	N/A	1-1/4" x 1-1/4" x 1-1/2"	1.88	47.8	1.88	47.8	1.82	46.2
2-BLRT-121220	N/A	1-1/4" x 1-1/4" x 2"	2.10	53.3	2.10	53.3	1.90	48.3
2-BLRT-150507	N/A	1-1/2" x 1/2" x 3/4"	1.44	36.5	1.12	28.5	1.68	42.6
2-BLRT-150510	2-GRT-150510	1-1/2" x 1/2" x 1"	1.65	41.9	1.52	38.6	1.94	49.3
2-BLRT-150512	N/A	1-1/2" x 1/2" x 1-1/4"	1.89	48.0	1.71	43.5	1.97	50.0
2-BLRT-150515	2-GRT-150515	1-1/2" x 1/2" x 1-1/2"	1.94	49.3	1.66	42.2	1.94	49.3
2-BLRT-150705	N/A	1-1/2" x 3/4" x 1/2"	1.40	35.5	1.16	29.5	1.67	42.5
2-BLRT-150707	N/A	1-1/2" x 3/4" x 3/4"	1.51	38.3	1.27	32.3	1.64	41.6
2-BLRT-150712	N/A	1-1/2" x 3/4" x 1-1/4"	1.79	45.5	1.57	40.0	1.93	49.0
2-BLRT-150715	2-GRT-150715	1-1/2" x 3/4" x 1-1/2"	1.90	48.3	1.72	43.6	1.90	48.3
2-BLRT-151007	2-GRT-151007	1-1/2" x 1" x 3/4"	1.49	37.8	1.35	34.2	1.73	44.0
2-BLRT-151010	2-GRT-151010	1-1/2" x 1" x 1"	1.65	41.9	1.50	38.1	1.80	45.7
2-BLRT-151012	N/A	1-1/2" x 1" x 1-1/4"	1.82	46.2	1.67	42.4	1.88	47.8
2-BLRT-151015	2-GRT-151015	1-1/2" x 1" x 1-1/2"	1.94	49.3	1.80	45.7	1.94	49.3
2-BLRT-151205	2-GRT-151205	1-1/2" x 1-1/4" x 1/2"	1.41	35.8	1.34	34.0	1.66	42.2
2-BLRT-151207	2-GRT-151207	1-1/2" x 1-1/4" x 3/4"	1.52	38.6	1.45	36.3	1.75	44.5
2-BLRT-151210	2-GRT-151210	1-1/2" x 1-1/4" x 1"	1.63	41.4	1.55	39.3	1.76	44.8



# CLASS 150 BLACK & GALVANIZED MALLEABLE IRON FITTINGS

## Reducing Tee - FPT



Black	Galvanized	Size	X		Y		Z	
			in	mm	in	mm	in	mm
2-BLRT-151212	2-GRT-151212	1-1/2" x 1-1/4" x 1-1/4"	1.82	46.2	1.75	44.5	1.88	47.8
2-BLRT-151215	2-GRT-151215	1-1/2" x 1-1/4" x 1-1/2"	1.90	48.3	1.84	46.8	1.90	48.3
2-BLRT-151220	N/A	1-1/2" x 1-1/4" x 2"	2.19	55.5	2.03	51.5	2.10	53.4
2-BLRT-151505	2-GRT-151505	1-1/2" x 1-1/2" x 1/2"	1.41	35.8	1.41	35.8	1.66	42.2
2-BLRT-151507	2-GRT-151507	1-1/2" x 1-1/2" x 3/4"	1.41	35.8	1.41	35.8	1.75	44.5
2-BLRT-151510	2-GRT-151510	1-1/2" x 1-1/2" x 1"	1.65	41.9	1.65	41.9	1.88	47.8
2-BLRT-151512	2-GRT-151512	1-1/2" x 1-1/2" x 1-1/4"	1.65	41.9	1.65	41.9	1.88	47.8
2-BLRT-151520	2-GRT-151520	1-1/2" x 1-1/2" x 2"	2.12	53.8	2.12	53.8	1.98	50.3
2-BLRT-200520	2-GRT-200520	2" x 1/2" x 2"	2.21	56.1	1.84	46.8	2.21	56.1
2-BLRT-200720	2-GRT-200720	2" x 3/4" x 2"	2.25	57.2	1.97	50.0	2.25	57.2
2-BLRT-201010	2-GRT-201010	2" x 1" x 1"	1.73	44.0	1.57	40.0	2.09	53.0
2-BLRT-201015	N/A	2" x 1" x 1-1/2"	1.98	50.3	1.76	44.8	2.12	53.8
2-BLRT-201020	2-GRT-201020	2" x 1" x 2"	2.21	56.1	1.98	50.3	2.21	56.1
2-BLRT-201210	N/A	2" x 1-1/4" x 1"	1.81	46.0	1.57	40.0	2.03	51.5
2-BLRT-201212	2-GRT-201212	2" x 1-1/4" x 1-1/4"	1.86	47.3	1.72	43.6	2.06	52.2
2-BLRT-201215	2-GRT-201215	2" x 1-1/4" x 1-1/2"	2.09	53.1	1.88	47.8	2.16	54.9
2-BLRT-201220	2-GRT-201220	2" x 1-1/4" x 2"	2.25	57.2	2.10	53.3	2.25	57.2
2-BLRT-201507	N/A	2" x 1-1/2" x 3/4"	1.63	41.5	1.46	37.1	1.98	50.3
2-BLRT-201510	2-GRT-201510	2" x 1-1/2" x 1"	1.73	43.9	1.65	41.9	2.02	51.3
2-BLRT-201512	2-GRT-201512	2" x 1-1/2" x 1-1/4"	1.86	47.3	1.78	45.3	2.06	52.2
2-BLRT-201515	2-GRT-201515	2" x 1-1/2" x 1-1/2"	1.98	50.3	1.90	48.3	2.12	53.8
2-BLRT-201520	2-GRT-201520	2" x 1-1/2" x 2"	2.21	56.1	2.11	53.7	2.21	56.1
2-BLRT-202005	2-GRT-202005	2" x 2" x 1/2"	1.49	37.9	1.49	37.9	1.88	47.8
2-BLRT-202007	2-GRT-202007	2" x 2" x 3/4"	1.60	40.6	1.60	40.6	1.97	50.0
2-BLRT-202010	2-GRT-202010	2" x 2" x 1"	1.73	43.9	1.73	43.9	2.02	51.3
2-BLRT-202012	2-GRT-202012	2" x 2" x 1-1/4"	1.86	47.3	1.86	47.3	2.06	52.2
2-BLRT-202015	2-GRT-202015	2" x 2" x 1-1/2"	1.98	50.3	1.98	50.3	2.12	53.8
2-BLRT-202025	N/A	2" x 2" x 2-1/2"	2.55	64.7	2.55	64.7	2.34	59.5

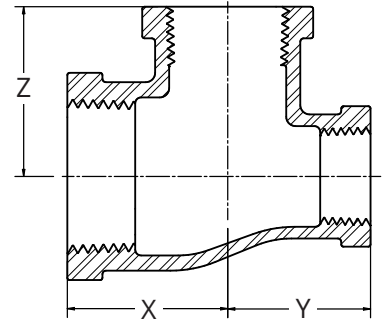
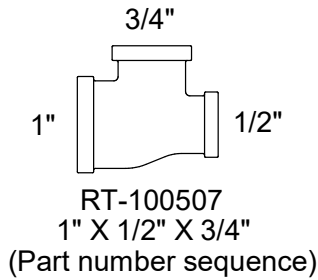


25 Whaley Avenue, PO Box 310, Milverton, ON CANADA N0K 1M0  
Tel: 800-561-3164

[boshart.com](http://boshart.com) ♦ [blog.boshart.com](http://blog.boshart.com)

# CLASS 150 BLACK & GALVANIZED MALLEABLE IRON FITTINGS

## Reducing Tee - FPT

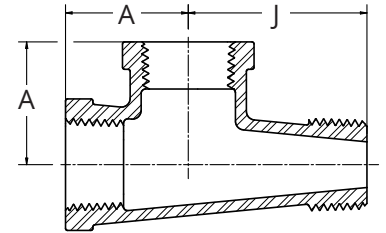


Black	Galvanized	Size	X		Y		Z	
			in	mm	in	mm	in	mm
2-BLRT-251525	N/A	2-1/2" x 1-1/2" x 2-1/2"	2.70	68.6	2.51	63.8	3.41	86.6
2-BLRT-252020	N/A	2-1/2" x 2" x 2"	2.39	60.7	2.16	57.2	2.60	66.0
2-BLRT-252025	2-GRT-252025	2-1/2" x 2" x 2-1/2"	2.70	68.6	2.60	66.0	2.70	68.6
2-BLRT-252505	N/A	2-1/2" x 2-1/2" x 1/2"	1.58	40.2	1.58	40.2	2.20	55.9
2-BLRT-252507	2-GRT-252507	2-1/2" x 2-1/2" x 3/4"	1.74	44.2	1.74	44.2	2.32	58.9
2-BLRT-252510	2-GRT-252510	2-1/2" x 2-1/2" x 1"	1.74	44.2	1.74	44.2	2.37	60.2
2-BLRT-252512	N/A	2-1/2" x 2-1/2" x 1-1/4"	1.87	47.5	1.87	47.5	2.45	62.2
2-BLRT-252515	2-GRT-252515	2-1/2" x 2-1/2" x 1-1/2"	2.16	54.9	2.16	54.9	2.51	63.8
2-BLRT-252520	2-GRT-252520	2-1/2" x 2-1/2" x 2"	2.39	60.7	2.39	60.7	2.60	66.0
2-BLRT-302020	2-GRT-302020	3" x 2" x 2"	2.52	64.0	2.52	64.0	2.89	73.4
2-BLRT-302030	2-GRT-302030	3" x 2" x 3"	2.83	71.9	2.52	64.0	2.83	71.9
2-BLRT-303005	2-GRT-303005	3" x 3" x 1/2"	1.83	46.5	1.83	46.5	2.56	65.0
2-BLRT-303007	2-GRT-303007	3" x 3" x 3/4"	1.79	45.5	1.79	45.5	2.57	65.3
2-BLRT-303010	2-GRT-303010	3" x 3" x 1"	2.00	50.8	2.00	50.8	2.66	67.6
2-BLRT-303012	2-GRT-303012	3" x 3" x 1-1/4"	2.17	55.1	2.17	55.1	2.74	69.6
2-BLRT-303015	2-GRT-303015	3" x 3" x 1-1/2"	2.29	58.2	2.29	58.2	2.81	71.4
2-BLRT-303020	2-GRT-303020	3" x 3" x 2"	2.52	64.0	2.52	64.0	2.89	73.4
2-BLRT-303025	2-GRT-303025	3" x 3" x 2-1/2"	2.83	71.9	2.83	71.9	2.99	76.0
2-BLRT-404010	2-GRT-404010	4" x 4" x 1"	2.40	61.0	2.40	61.0	2.68	68.0
2-BLRT-404012	N/A	4" x 4" x 1-1/4"	2.40	61.0	2.40	61.0	3.41	86.5
2-BLRT-404015	N/A	4" x 4" x 1-1/2"	2.46	62.5	2.46	62.5	3.25	82.6
2-BLRT-404020	2-GRT-404020	4" x 4" x 2"	2.69	68.2	2.69	68.2	3.34	84.9
2-BLRT-404025	2-GRT-404025	4" x 4" x 2-1/2"	3.05	77.5	3.05	77.5	3.51	89.2
2-BLRT-404030	2-GRT-404030	4" x 4" x 3"	3.23	82.1	3.23	82.1	3.53	89.6

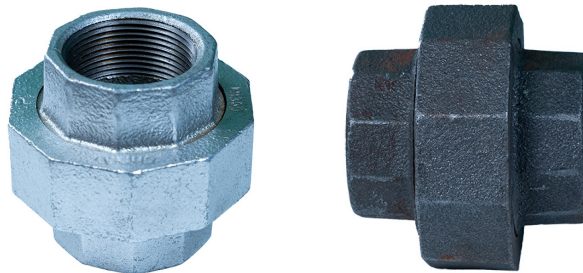
# CLASS 150 BLACK & GALVANIZED MALLEABLE IRON FITTINGS

## Street Tee - MPT x FPT x FPT

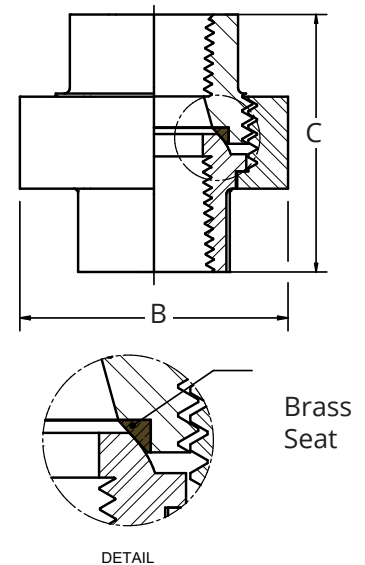
Black	Galvanized	Size	A		J	
			in	mm	in	mm
2-BLST-05	2-GST-05	1/2"	1.12	28.5	1.63	41.2
2-BLST-07	2-GST-07	3/4"	1.31	33.3	1.89	48.0
2-BLST-10	2-GST-10	1"	1.5	38.1	2.14	54.4
2-BLST-12	2-GST-12	1-1/4"	1.75	44.5	2.45	62.2
2-BLST-15	2-GST-15	1-1/2"	2.25	57.2	3.26	82.8
2-BLST-20	N/A	2"	1.62	41.2	3.22	81.8



## Union - FPT Brass Seat



Black	Galvanized	Size	B		C	
			in	mm	in	mm
2-BLU-01	2-GU-01	1/8"	0.93	23.5	1.26	32.0
2-BLU-02	2-GU-02	1/4"	1.10	28.0	1.56	39.5
2-BLU-03	2-GU-03	3/8"	1.26	32.0	1.61	41.0
2-BLU-05	2-GU-05	1/2"	1.45	37.0	1.72	43.5
2-BLU-07	2-GU-07	3/4"	1.71	43.5	1.94	49.5
2-BLU-10	2-GU-10	1"	2.07	52.5	2.06	52.5
2-BLU-12	2-GU-12	1-1/4"	2.50	63.5	2.26	57.5
2-BLU-15	2-GU-15	1-1/2"	2.82	71.5	2.41	61.0
2-BLU-20	2-GU-20	2"	3.41	86.5	2.75	70.0
2-BLU-25	2-GU-25	2-1/2"	4.12	104.5	3.22	82.0
2-BLU-30	2-GU-30	3"	4.75	120.5	3.50	89.0
2-BLU-40	2-GU-40	4"	6.00	152.5	3.86	98.0
2-BLU-60	2-GU-60	6"	8.88	225.6	5.30	134.6



For more information on installation, adjustment, repair & operation, visit Boshart Knowledge Base at [SUPPORT.BOSHART.COM](http://SUPPORT.BOSHART.COM)



# BOSHART INDUSTRIES

25 Whaley Avenue, PO Box 310, Milverton, ON CANADA N0K 1M0  
Tel: 800-561-3164

[boshart.com](http://boshart.com) ♦ [blog.boshart.com](http://blog.boshart.com)