



Exposed Tub Filler with Handshower

ROHL Cisal Bath

AC7X

FEATURES

- 3/4" NPSM connection
- 5 7/8" center-to-center supplies
- 5' metal hose
- Metal handshower
- 8 GPM
- 1/4-turn ceramic disc valves
- The 1/2" female connection (not included) in the wall should be no more than 1/4" deep from finished wall
- Must order unions to complete:
 - AR00380 - deck unions
 - ZA383 - floor pillar legs
 - ZZ9314302 - wall unions
 - ZZ935350 - iron tub unions

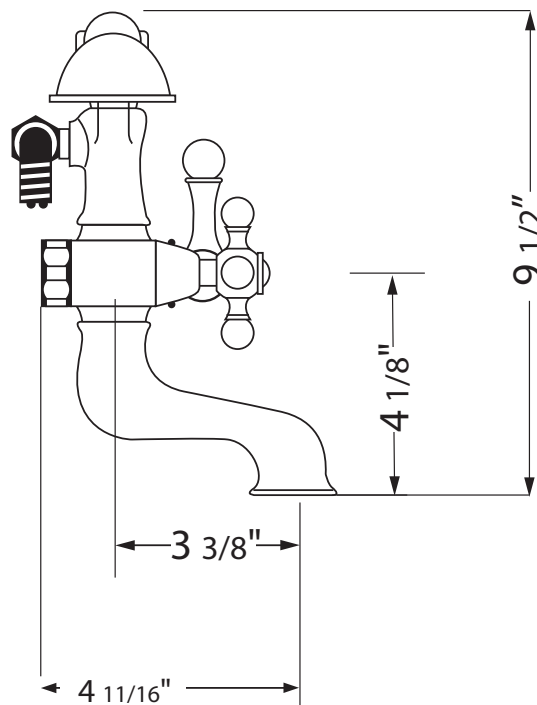
FINISHES

- Polished Chrome
- Polished Nickel
- Satin Nickel
- Tuscan Brass
- Inca Brass

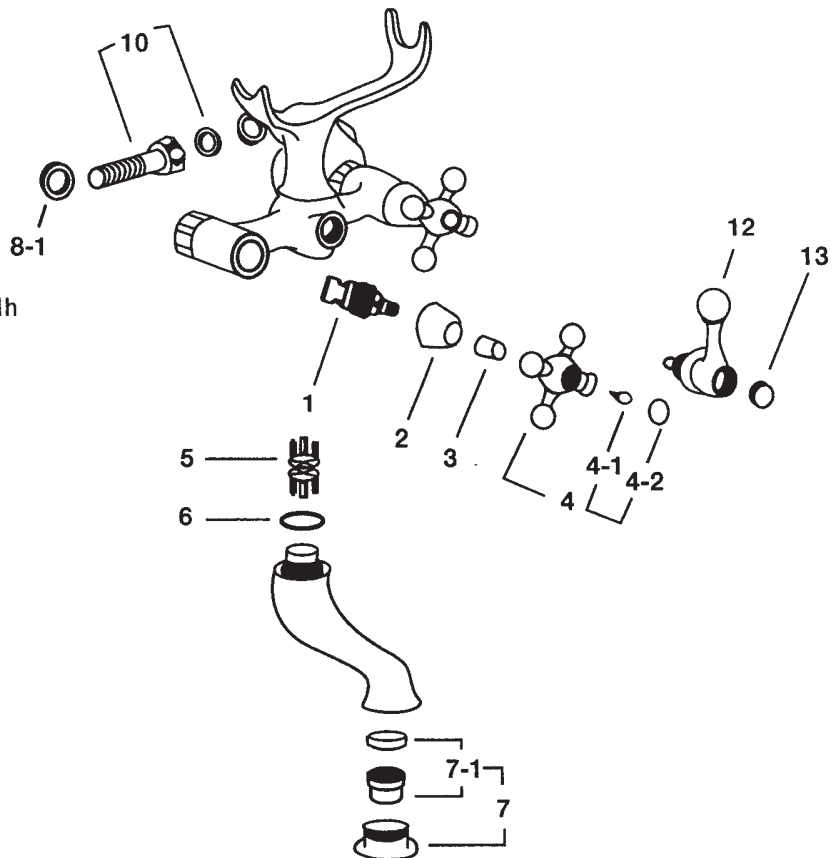
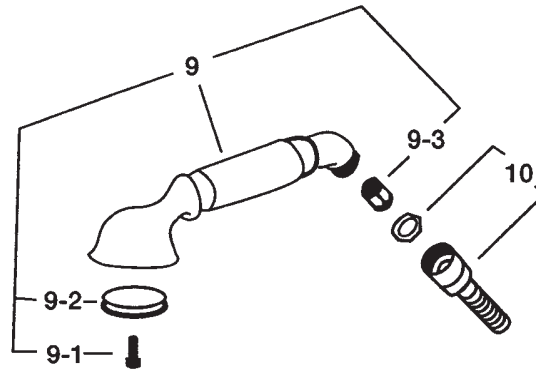
WARRANTY

- Limited Lifetime*

* No Warranty on Tuscan Brass Finish (TCB)



AC7X Spare Parts



PARTS LIST FOR AC7X

1 Ceramic headvalve	ZZ92907021h
2 Escutcheon	ZZ926520
3 Sliding cover tube	ZZ926190
4 Handle with screw plate	ZZ903070
4-1 Screw M4.5X10	ZZ926090
4-2 Cap for handle	ZZ926170
5 Diverting valve for mixer	ZZ927790
6 Rubber gasket	ZZ926920
7 Overfill-flow straightener M.28X1	ZZ927840
7-1 Cartridge	ZZ926940
8-1 Gasket 24X16X2.7	ZZ926890
9 Handshower	ZZ900780
9-1 Screw 3/16" x 15.5	ZZ926400
9-2 Faceplate	ZZ905440
9-3 BackFlow Valve	ZZ929560
10 Hose 150cm 14 1/2" x 1/2"	ZA009010
12 Diverter with handle	ZZ90257
13 Screw cover cap for diverter handle	ZZ926170