

ELKAY[®]

SPECIFICATIONS

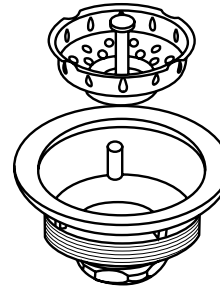
Sink Accessories

Models D5018A and D1125 Drain

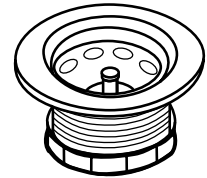
GENERAL

D5018A 300 series stainless steel drain outlet fitting with removable stainless steel strainer basket with rubber stopper. Designed to fit 2" drain opening with an overall flange size of 2-13/16". Ship. Wt. 1 lb.

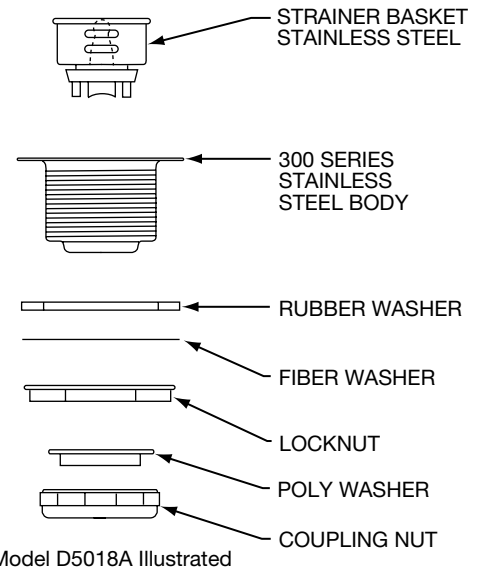
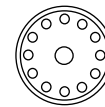
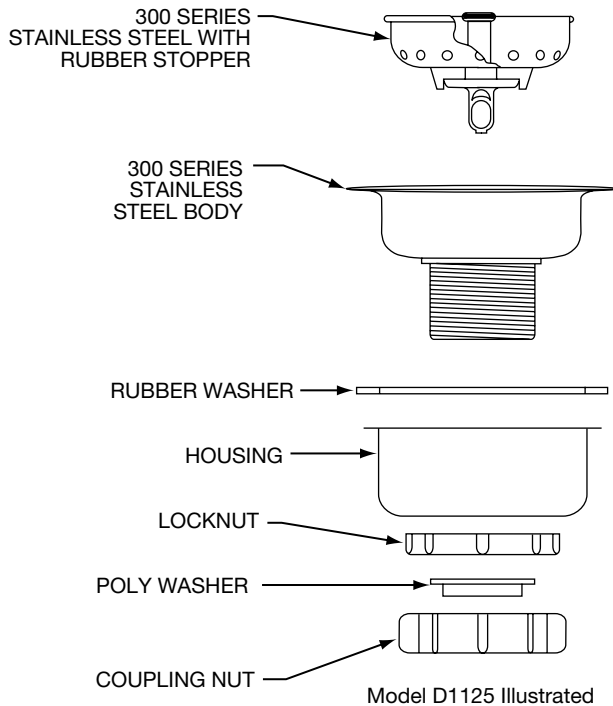
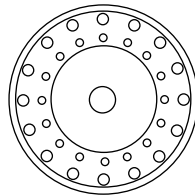
D1125 300 series stainless steel drain outlet fitting with removable 300 series stainless steel strainer basket with rubber stopper. Designed to fit 3-1/2" drain opening with an overall flange size of 4-1/2". Ship. Wt. 1 lb.



Model D1125



Model D5018A



ALL DIMENSIONS IN INCHES, TO CONVERT TO MILLIMETERS MULTIPLY BY 25.4.

In keeping with our policy of continuing product improvement, Elkay reserves the right to change product specifications without notice.

This specification describes an Elkay product with design, quality and functional benefits to the user. When making a comparison of other producers' offerings, be certain these features are not overlooked.